



Digital Percentage Timer

DPT

Specifications

Electrical

Supply Voltage: 24VAC, 120VAC & 240VAC, 1Ø

Frequency: 50/60Hz

Display: 16 Character, 2 Line, LCD Back Lighting

Adjustments:

Membrane Buttons

Percentage On Time:

5% to 95%, 5% Increments

Manual: On or Off

Total Cycle Times: 1, 15, 30 & 60 Min.

Power-Up Delay: 0 Sec. to 10 Min.,

30 Second Increments

Running Hours: 0 to 99,999 Hrs.

Total Running Hours: 99,999

Interval Running Hours:

99,999, resettable to zero

Output Rating @ 25°F:

10 Amps @ 120VAC

6 Amps @ 277VAC

1/8 HP @ 120/277VAC

5 Amps @ 24VDC

Physical

Mounting: Panel Mounting

4 - Inserts for 2 Mounting Dim

Termination: Pluggable Block

Packaging: Gasketed Bezel

Weight: 1 Pound

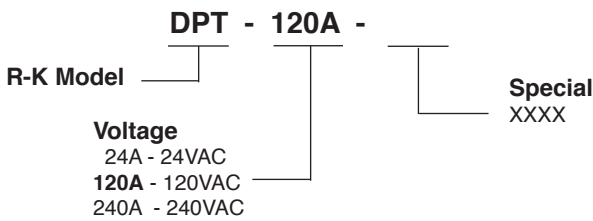
Ambient Temperatures

Operating: -4°F to 140°F

Storage: -40°F to 185°F



Ordering Information

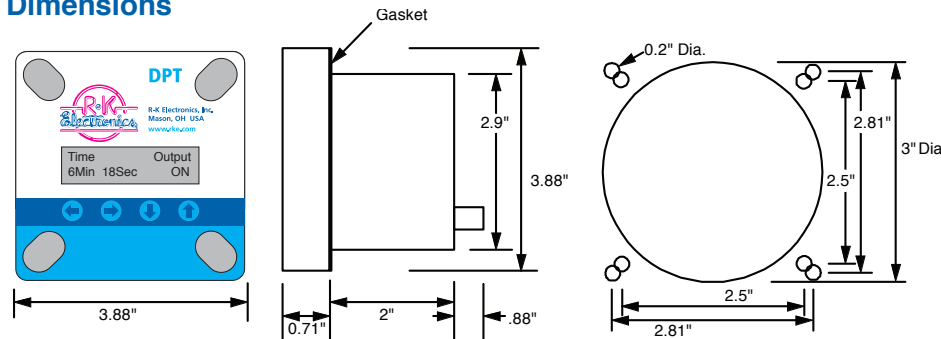


Included in the package are four hole inserts and four #8 metal drilling self tapping screws.

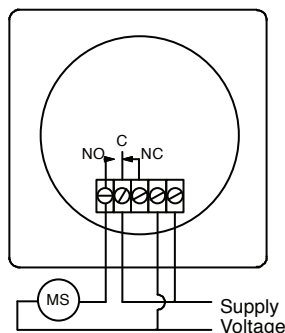


READY FOR SUBMITTAL

Dimensions



Connections



- Digital Display
 - Remaining Time
 - Cycle Time & Percentage Settings
 - Power-Up Delay
 - Interval Hours
 - Running Hours
- Multiple Mounting Dimensions
- SPDT Contacts
- Gasketed Bezel

Operation

The DPT is a Digital Percentage Timer. Operational information is displayed for easy viewing: time remaining until relay transfer, relay status, running hours & set-up parameters.

With the supply voltage active, the DPT will activate the relay output for the percentage of time selected in set-up. For total cycle time, you can select between 1, 15, 30, and 60 minutes. On time can be selected in 5% increments from 5% to 95% or manual On or Off. There is a re-start timer selection from 0-10 minutes to allow for staggered starting of multiple machines.

A running hour meter shows the total closure time for the output contacts since the last reset.