

# Type BLR-I-306

## Fuse Block - Indicating

### 6 Pole – Regular Auto Blade



www.optifuse.com

(619) 593-5050

#### Specifications:

**Max Current Rating:** 30A per Circuit - 100A Max Input

**Fuse Type:** Regular Auto Blade – APR, ANR Series

**Base:** PBT (UL flame: 94V-0), Black

**Cover:** PC (UL flame: 94V-2), Transparent

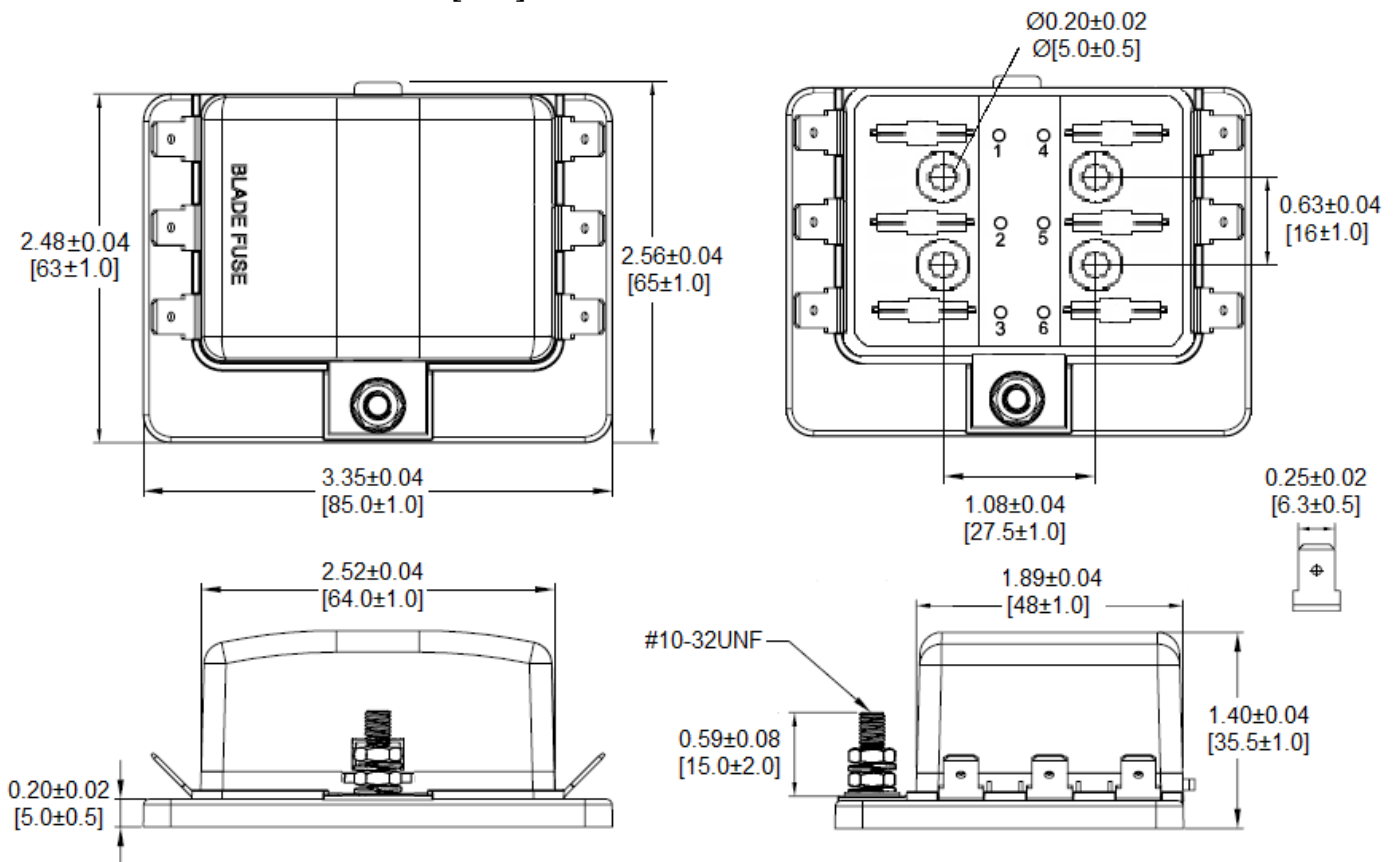
**Push Button:** POM (White)

**Terminals:** Copper, Tin plated 0.250" Quick Connect Terminals

**Indicating LED – Red**

**Temperature Rating:** -20° C ~ +85° C

#### Mechanical Dimensions: Inches [mm]



#### Warning:



-Operation beyond the specified maximum ratings or improper use may result in damage and possible electrical arcing and/or flame.

-Avoid contact of device with chemical solvent. Prolonged contact may damage the device performance.

Note: All specifications subject to change without notice.

Rev C 05/2017 - Page: 1/1  
Code S02-01H