

MATERIALS & SPECIFICATIONS

PART NO.	A22027-001	REV	ECO	DATE	APP
		C	96877	07-13-10	TLM

INSULATOR:  
LIQUID CRYSTAL POLYMER (LCP) PER ASTM D5138.

CONTACT:  
BERYLLIUM COPPER PER ASTM B194, C17200. GOLD PLATED  
PER ASTM B488, (HARD GOLD) TYPE II CODE C CLASS 1.27.

TERMINATION:  
COPPER ALLOY PER MIL-DTL-83513 MATTE SOLDER PLATE  
.0001-.0002 THICK PER AMS-P-81728.

LATCH SPRING:  
BERYLLIUM COPPER PER ASTM B194 NICKEL PLATE PER  
AMS-C-26074.

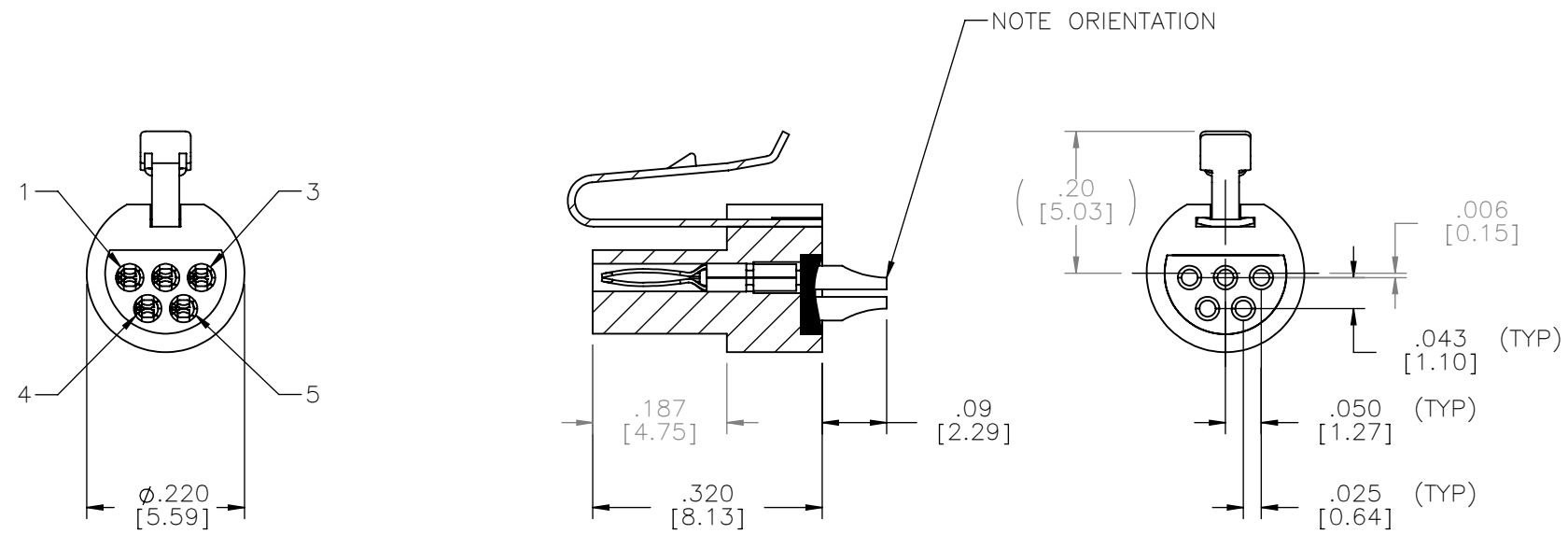
CURRENT CAPACITY:  
3 AMP MAX.

CONTACT RESISTANCE:  
26 MILLIOHMS (65mV) MAX @ 2.5 AMPS.

PERFORMANCE:  
PRODUCT FAMILY TESTED TO AND PASSED THE PERFORMANCE  
SPECIFICATIONS OF TABLE VII OF MIL-DTL-83513.



ACTUAL SIZE



REF: OMNETICS

MCP	THIRD ANGLE
	-TOLERANCES-
SLDW	UNLESS OTHERWISE NOTED
	DIMENSIONS IN INCHES
	2 PL DEC ± .01
	3 PL DEC ± .005
	4 PL DEC ± .0005
	ANGLES ± 1°

THIS DRAWING CONTAINS CONFIDENTIAL AND PROPRIETARY INFORMATION WHICH IS THE PROPERTY OF OMNETICS CONNECTOR CORP. THIS DOCUMENT MAY NOT, IN WHOLE OR IN PART, BE DUPLICATED, OR DISCLOSED FOR ANY PURPOSE, WITHOUT WRITTEN PERMISSION FROM OMNETICS CONNECTOR CORP.	
DFTM. TEP	DATE 10/24/2007
CHK'D.	DATE
APP'D.	DATE
TITLE: (5) PIN MALE MICRO CIRCULAR CONNECTOR W/ LATCH	

**OMNETICS**  
CONNECTOR CORPORATION  
7260 COMMERCE CIRCLE EAST  
MINNEAPOLIS, MN 55432  
WWW.OMNETICS.COM

CAGE CODE <b>61873</b>
DWG NO. <b>A22027-001</b>
SHEET 1 OF 1
SCALE: 4:1
REV C