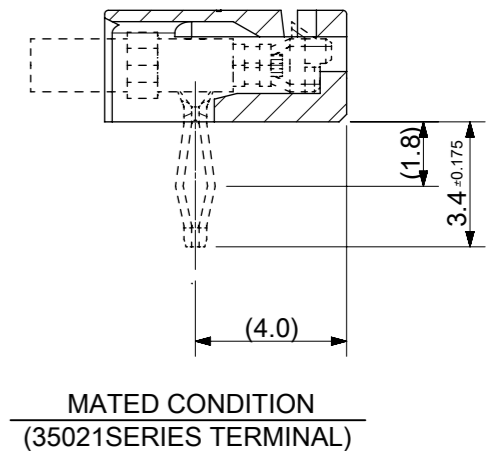
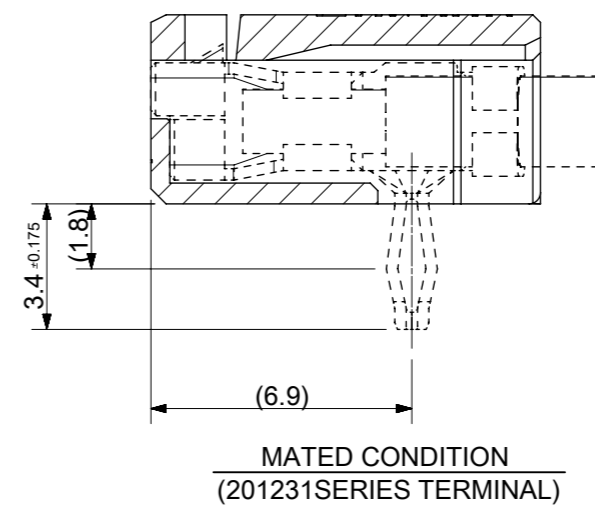
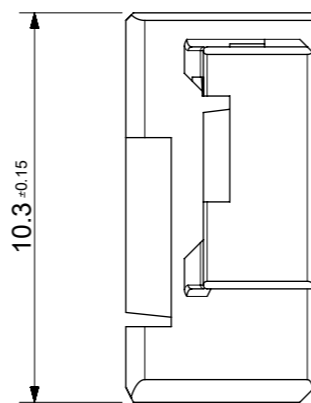
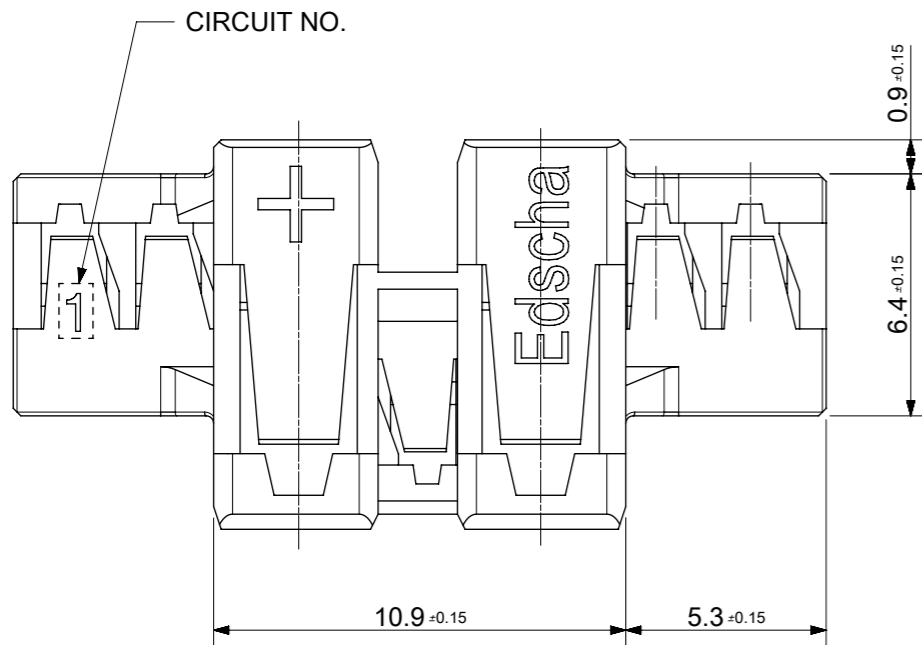


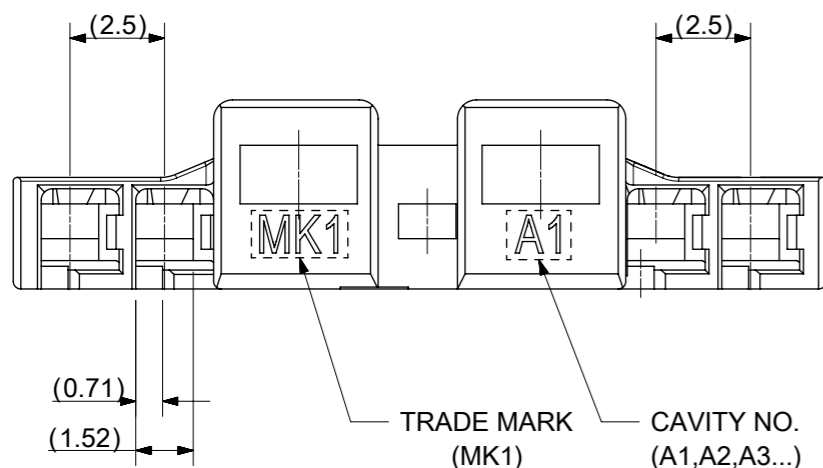
RECOMMENDED PCB LAYOUT
[GENERAL TOLERANCE ±0.05]



MATED CONDITION
(201231SERIES TERMINAL)

MATED CONDITION
(35021SERIES TERMINAL)

- NOTES.
- MATERIALS
POLYAMIDE66, UL94V-0
COLOR : IVORY
 - NESTKENNZEICHNUNG
 - APPLICABLE TERMINAL
- 35021-1001/1160 (1,2,4,6,7 CIRCUIT)
- 201231-8003 (3,5 CIRCUIT)
 - GENERAL FLASH : 0.15mm MAX.



THIS DRAWING CONTAINS INFORMATION THAT IS PROPRIETARY TO MOLEX ELECTRONIC TECHNOLOGIES, LLC AND SHOULD NOT BE USED WITHOUT WRITTEN PERMISSION									
QUALITY SYMBOLS	EC NO: 107964 DRWN: JSSHIN CHK'D: SHCHU APPR: YSKIM02	GENERAL TOLERANCES (UNLESS SPECIFIED)		DIMENSION UNITS	SCALE	 HYBRID BOARD IN CONN. HOUSING PRODUCT CUSTOMER DRAWING			
		ANGULAR TOL ± °		MM	5:1				
▽A = 0	2017/02/10	4 PLACES ±	°	SCHONG03	DATE				
▽E = 0	2017/02/13	3 PLACES ±		CHK'D BY	DATE		MATERIAL NUMBER		CUSTOMER
▽F = 0	2017/02/14	2 PLACES ±		SHCHU	DATE	2017/01/24	201231		2012310700
▽ = 0		1 PLACE ±		APPR BY	DATE	2017/01/31	GENERAL		
▽C = 0		0 PLACES ±		YSKIM02	DATE		DOCUMENT NUMBER		DOC TYPE
▽ = 0		DRAFT WHERE APPLICABLE MUST REMAIN WITHIN DIMENSIONS		DRAWING SIZE	THIRD ANGLE PROJECTION		2012310700		PSD
▽ = 0				A3			DOC PART		SHEET NUMBER
	A1						000		1 OF 1