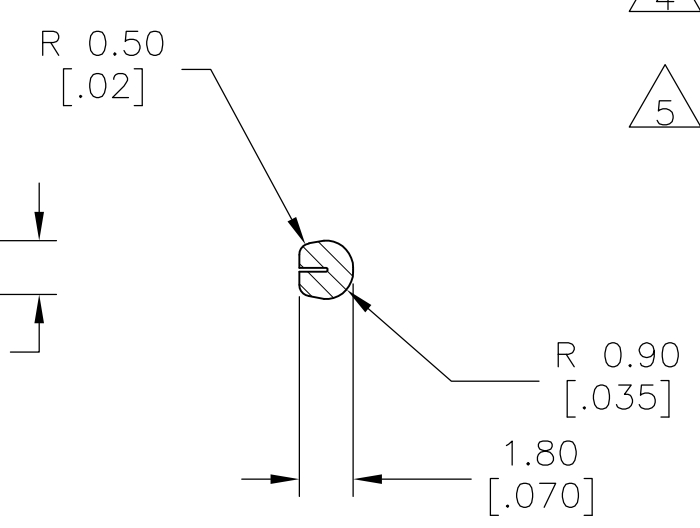
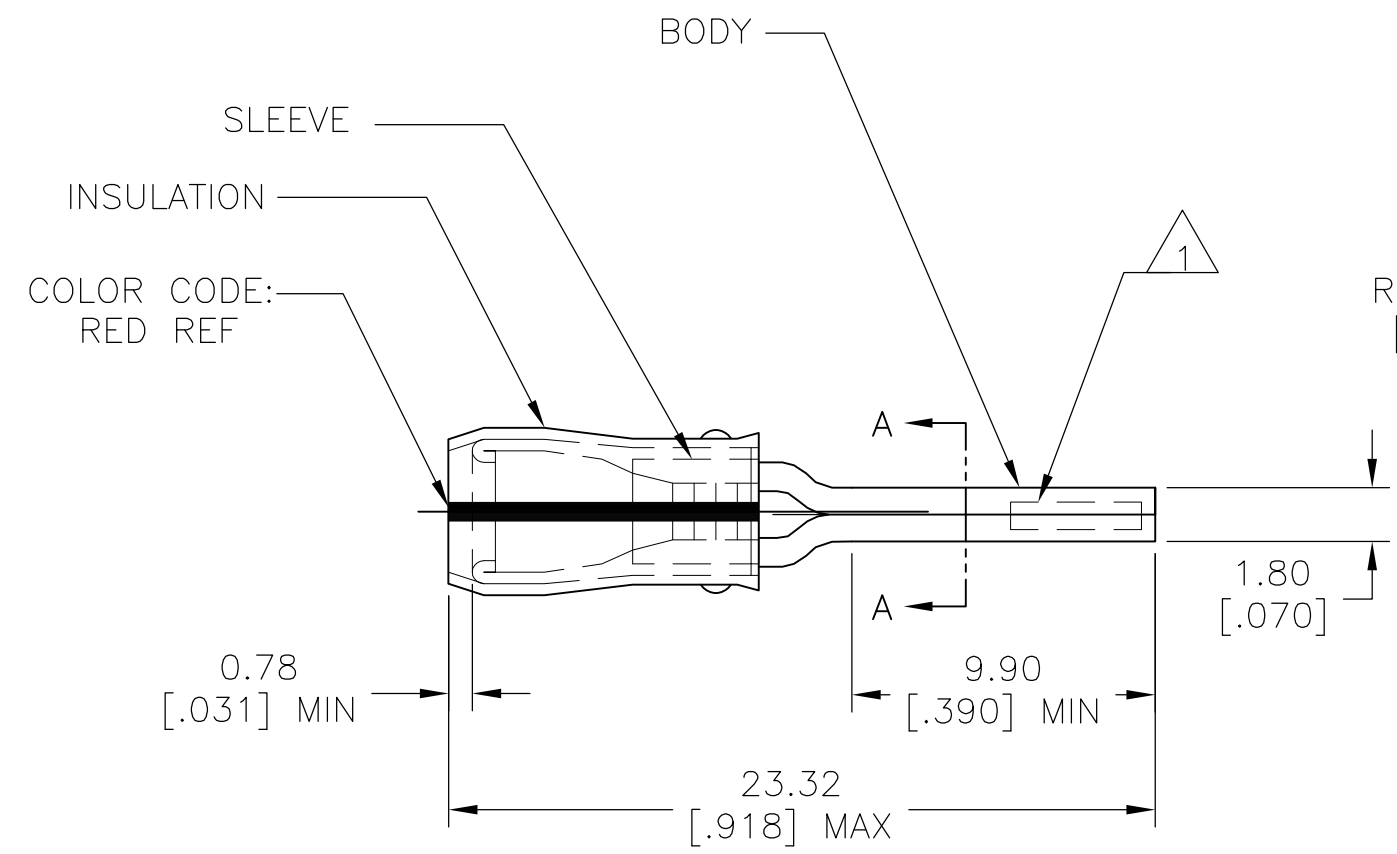


THIS DRAWING IS UNPUBLISHED. RELEASED FOR PUBLICATION
 © COPYRIGHT - By - ALL RIGHTS RESERVED.

LOC	DIST	REVISIONS			
P	LTR	DESCRIPTION	DATE	DWN	APVD
G	14	A1	REVISED PER ECO-14-003208	17MAR2014	NK DR



- 1 STAMP AMP 22-16* APPROX AS SHOWN
- 2 WIRE INSULATION DIA: 2.7-3.6[.105-.140]
- 3 TONGUE MATERIAL THK: 0.78±0.05[.031±.002]
- 4 BODY & SLEEVE: TIN PLATE PER ASTM B545,
- 5 BODY & SLEEVE- CU PER ASTM B152 INSULATION - PVF2, COLOR - NATURAL

SECTION A-A

1000	LOOSE PIECE	1958191-1
QTY	PACKAGE TYPE	PART NO

AMP INCORPORATED CUSTOMER SERVICE SYSTEMS		MAX RECOMMENDED OPERATING TEMPERATURE: 150°C[302°F] MAX
FOR ADDITIONAL PRODUCT INFORMATION OR COPIES OF DRAWINGS AND TECHNICAL DOCUMENTS	PRODUCT INFORMATION CENTER 1-800-522-6752	VOLTAGE RATING: 300 MAX
FOR APPLICATION TOOLING INFORMATION	TOOLING ASSISTANCE CENTER 1-800-722-1111	CIRCULAR MIL AREA: 0.26-1.65mm²[509-3,260] STRANDED
FOR ORDER ENTRY	1-800-526-5142	THIS DRAWING IS A CONTROLLED DOCUMENT FOR AMP INCORPORATED. IT IS SUBJECT TO CHANGE AND THE CONTROLLING ENGINEERING ORGANIZATION SHOULD BE CONTACTED FOR THE LATEST REVISION.

THIS DRAWING IS A CONTROLLED DOCUMENT.	
DIMENSIONS: mm [INCHES]	TOLERANCES UNLESS OTHERWISE SPECIFIED:
	0 PLC ± -
	1 PLC ± -
	2 PLC ± 0.20 [.008]
	3 PLC ± -
	4 PLC ± -
	ANGLES ± -
MATERIAL	FINISH
5	4

DWN JR RUTH 30JAN08	TE Connectivity NAME TERMINAL, PIN, PVF2, PIDG WIRE SIZE: 22-16 AWG		
CHK T MICHIELUTTI 30JAN08			
APVD T MICHIELUTTI 30JAN08			
PRODUCT SPEC			
APPLICATION SPEC	SIZE A3		
WEIGHT -	CAGE CODE 00779		
CUSTOMER DRAWING		DRAWING NO C-1958191	RESTRICTED TO -
SCALE 4:1		SHEET 1 OF 1	REV A1