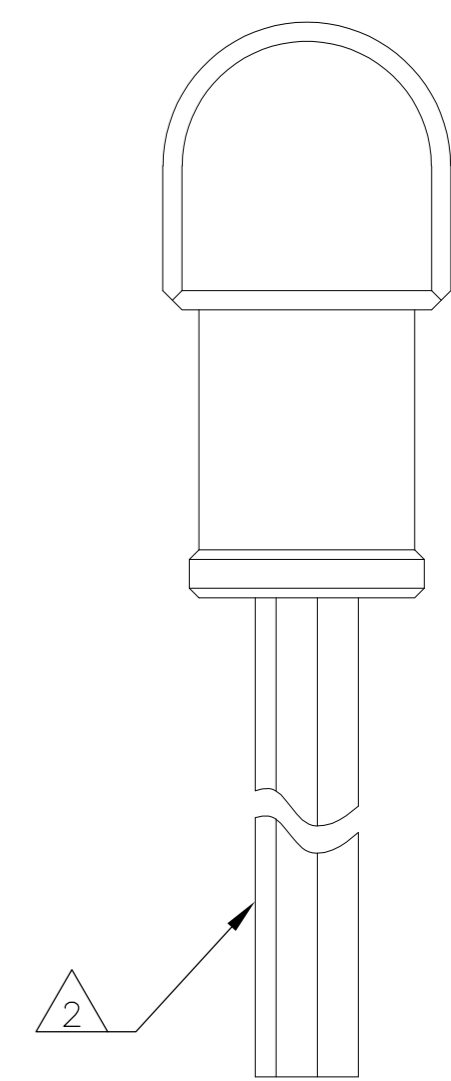
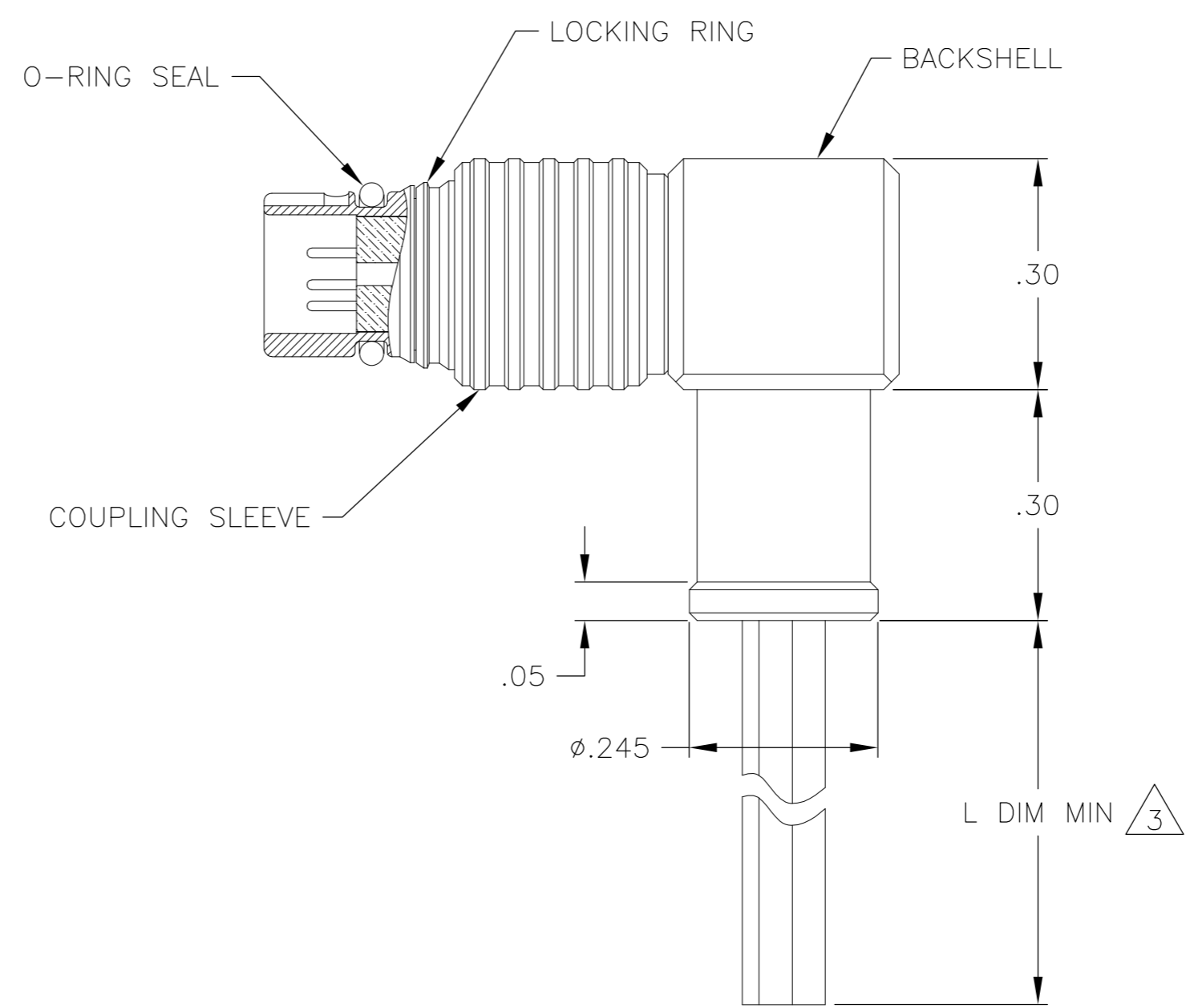
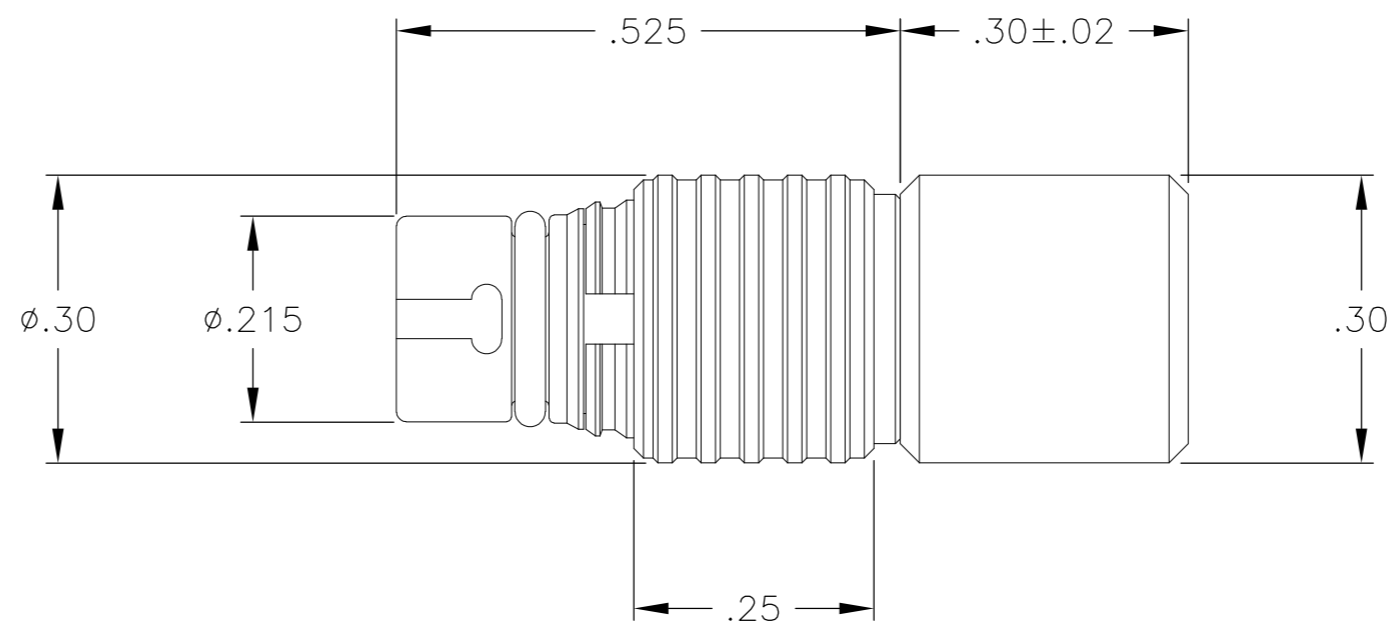
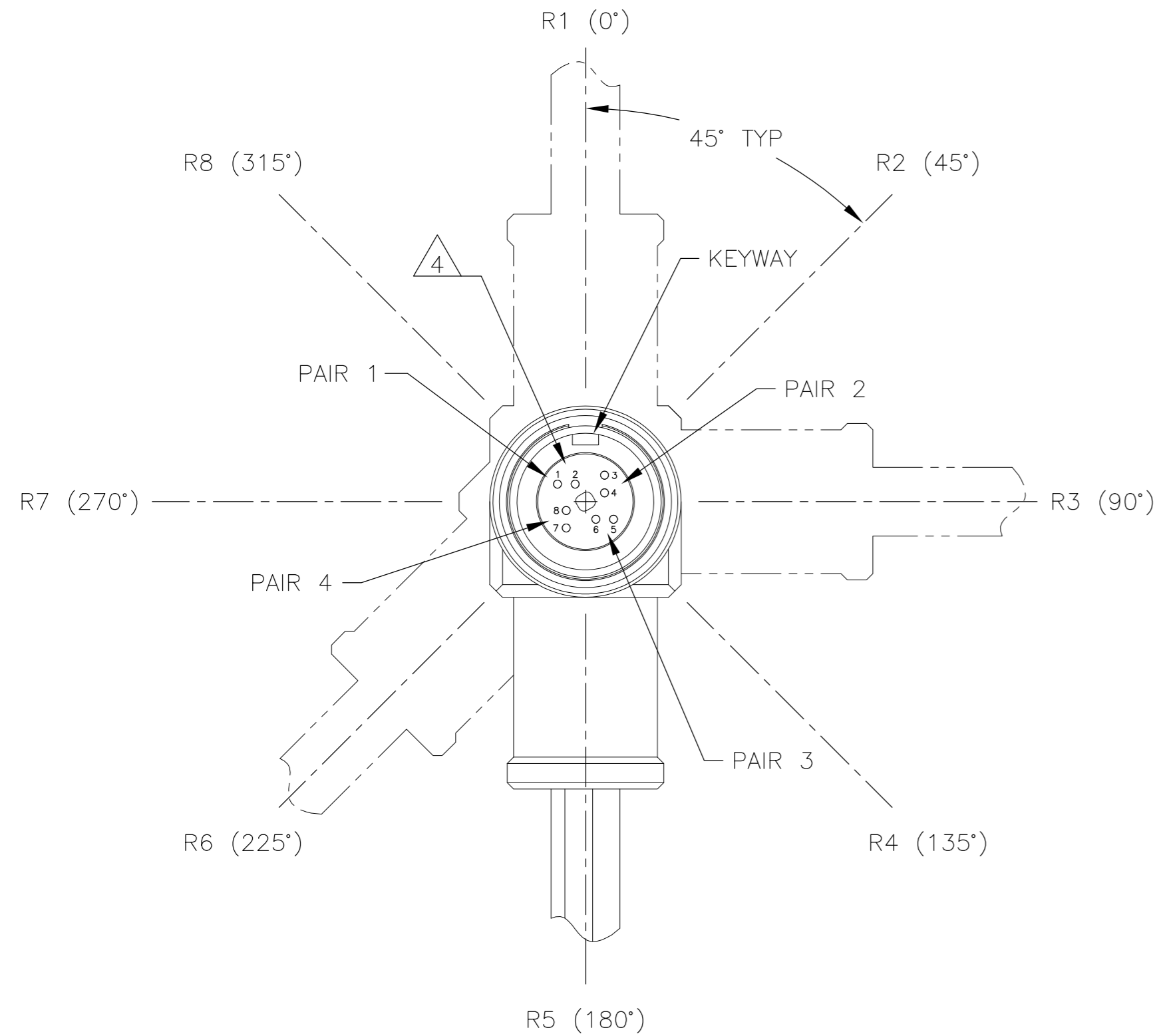


THIS DRAWING IS UNPUBLISHED. RELEASED FOR PUBLICATION
 © COPYRIGHT - By - ALL RIGHTS RESERVED.

LOC		DIST		REVISIONS			
P	LTR	DESCRIPTION		DATE	DWN	APVD	
	A	PRODUCTION RELEASE PER ECO-13-014747		9-18-13	CT	RL	



- 1 CONNECTOR BODY, COUPLING SLEEVE, AND BACKSHELL MATERIAL: 6061-T6 ALUMINUM, ELECTROLESS NICKEL PLATED PER SAE-AMS-C-26074 OR SAE-AMS-2404
- LOCKING RING MATERIAL: BERYLLIUM COPPER, ELECTROLESS NICKEL PLATED PER SAE-AMS-C-26074 OR SAE-AMS-2404
- INSULATOR MATERIAL: LIQUID CRYSTAL POLYMER (LCP) PER ASTM D5138
- O-RING MATERIAL: FLUOROSILICONE PER SAE-AMS-R-25988

- △2 TERMINATED WITH MADISON CABLE 30 AWG 10G TURBO TWIN PAIR
- △3 CABLE LENGTH IS AS INDICATED IN THE CORRESPONDING NANONICS PART NUMBER
- △4 CAVITY POSITIONS ARE SHOWN FOR REFERENCE ONLY AND ARE NOT MARKED ON THE PART
- 5 LUBRICATE O-RING WITH PARKER SUPER-O-LUBE PRIOR TO INSTALLATION
- 6 BACKSHELL MAY BE ORIENTED IN THE EIGHT DIRECTIONS SHOWN (R1 THROUGH R8). R5 IS STANDARD. THE BACKSHELL CODE AT THE END OF THE NANONICS PART NUMBER SHALL INDICATE BACKSHELL ORIENTATION.
- 7 BONDING RESISTANCE OF CONNECTOR BODY TO BACKSHELL SHALL BE 25 MILLIOHMS MAXIMUM
- 8 REFERENCE TE PRODUCT SPECIFICATION 108-32048 FOR PRODUCT DETAILS AND PERFORMANCE

THIS DRAWING IS A CONTROLLED DOCUMENT.		DWN M STORRY 2 AUG 2012	TE TE Connectivity			
DIMENSIONS: INCHES		CHK M STORRY 2 AUG 2012				
TOLERANCES UNLESS OTHERWISE SPECIFIED:		APVD M STORRY 2 AUG 2012	NAME PLUG ASSEMBLY, CIRCULAR, QUICK DISCONNECT, RIGHT ANGLE BACKSHELL, METAL, 8 POSITION, 10GbE, CeeLok FAS-T Nano Circular			
0 PLC ± -		PRODUCT SPEC				
1 PLC ± -		APPLICATION SPEC	SIZE A2	CAGE CODE 0JPN9	DRAWING NO C=1925250	RESTRICTED TO
2 PLC ± .010		WEIGHT -	SCALE 5:1		SHEET 1 of 1	REV A
3 PLC ± .005		CUSTOMER DRAWING				
4 PLC ± -						
ANGLES ± 1°						
FINISH SEE NOTES						