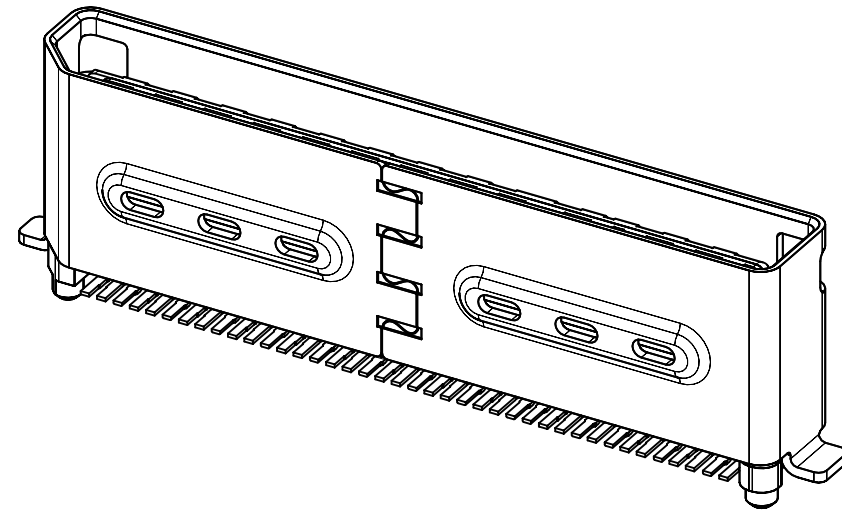
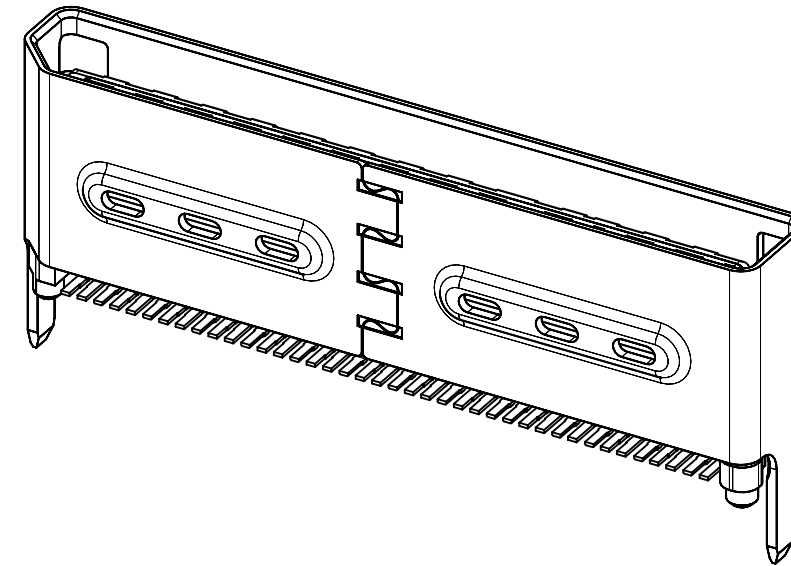


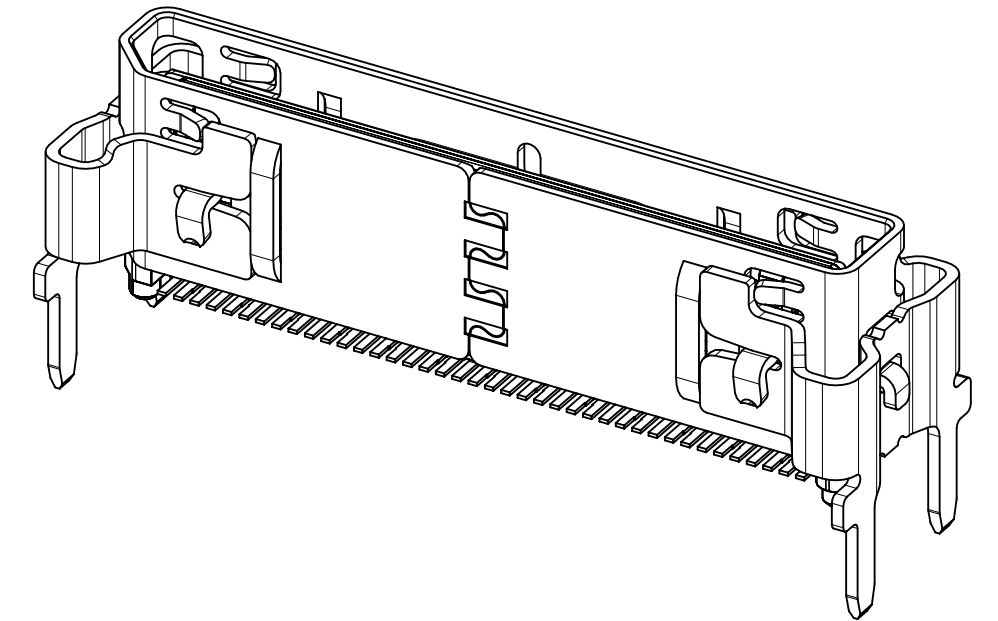
STATUS	MATERIAL NUMBER	GND TERMINAL OPTION	PICK AND PLACE CAP COLOR	DIM 'T'
TOOLED	173162-0331	SMT	N/A	N/A
TOOLED	173162-0332	TAIL	N/A	3.00
TOOLED	173162-0333	SMT	BLACK	N/A
TOOLED	173162-0334	TAIL	BLACK	3.00
NOT TOOLED	173162-0335	TAIL	BLACK	2.36
NOT TOOLED	173162-0336	TAIL	BLACK	1.57
TOOLED	173162-0337	XD	N/A	3.00
	173162-0338		BLACK	
TOOLED	173162-0339	XD	BLACK	2.36
TOOLED	173162-0340	XD	BLACK	1.57



80 CIRCUIT SMT



80 CIRCUIT TAIL



80 CIRCUIT XD

NOTES:

1. MATERIALS:

HOUSING - GLASS FILLED THERMOPLASTIC, 94V-0
 CONTACTS - HIGH PERFORMANCE COPPER ALLOY
 SHIELD - STAINLESS STEEL

2. FINISH:

CONTACTS - 0.76µm MIN. GOLD MATING SIDE
 0.05µm GOLD FLASH ON SOLDER TAILS
 1.27µm MIN. NICKEL UNDERPLATE OVERALL

SMT/TH SHIELD - MATTE TIN OVER 1.27µm MIN. NICKEL
 XD SHIELD - MATT TIN ON SOLDER LEGS ONLY

3. PRODUCT SPECIFICATION: PS-173162-0001

4. PACKAGING SPECIFICATION: PK-173307-0001

5. MATES WITH: MOLEX CABLE SERIES 200226 OR 200227
 PER INDUSTRY STANDARD PCIe OCuLink 1.0, SFF-8611

6. APPLICATION SPECIFICATION: AS-173162-0001

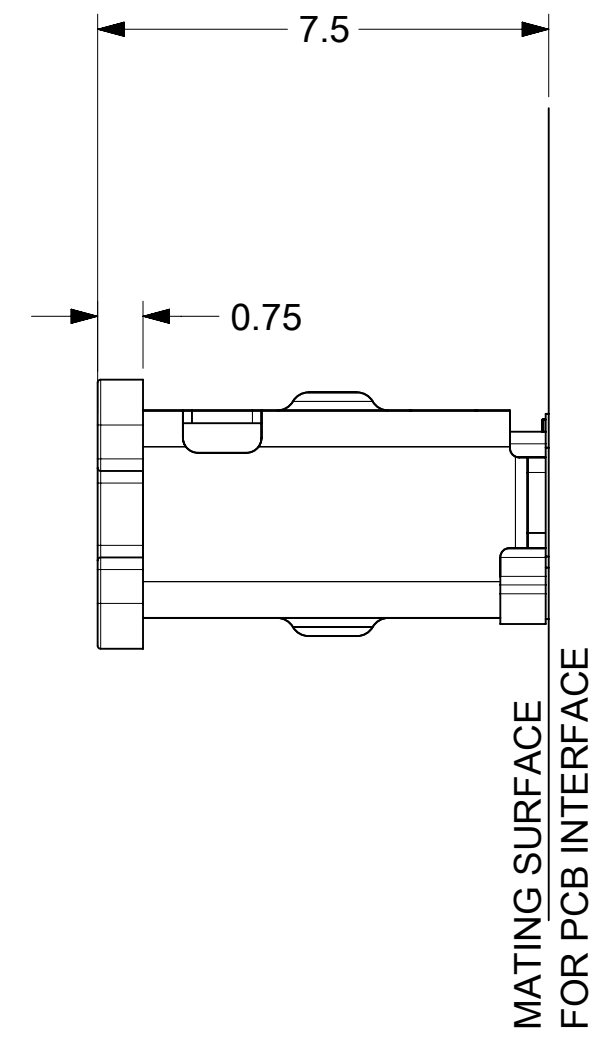
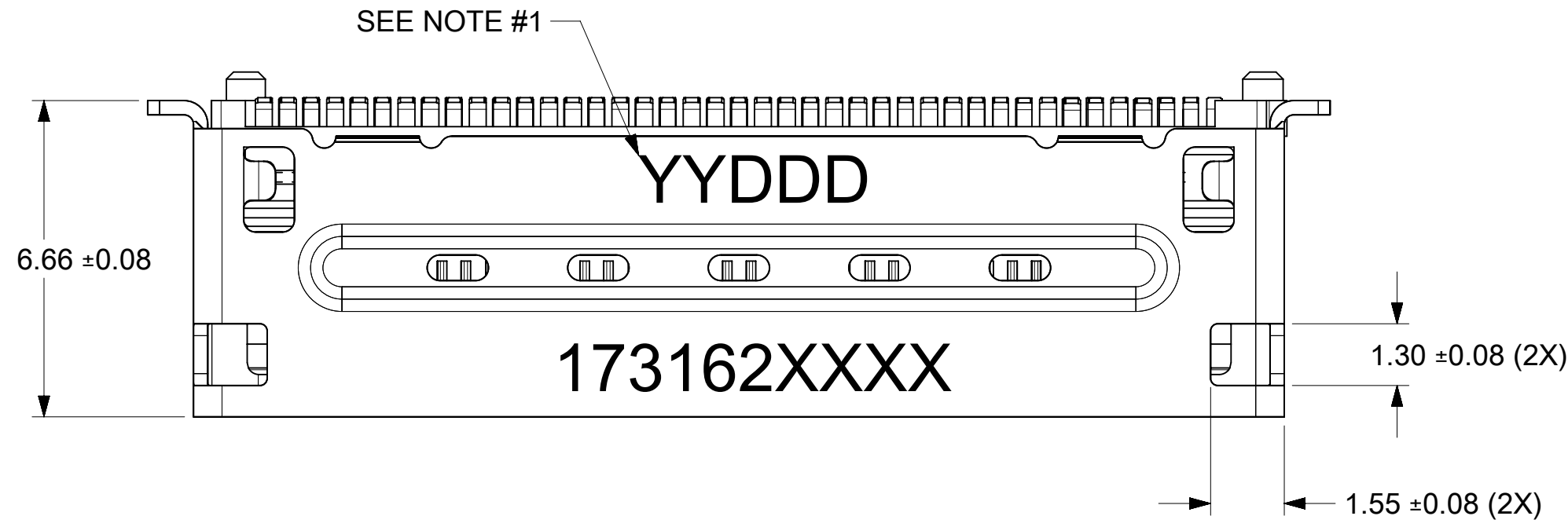
7. COSMETIC SPECIFICATION: PS-45499-002, CLASS B

8. DATE CODE TO BE LOCATED APPROXIMATELY AS SHOWN, DATE CODE
 TO SHOW THE DATE AND YEAR OF ASSEMBLY (DDYY OR YYDD)

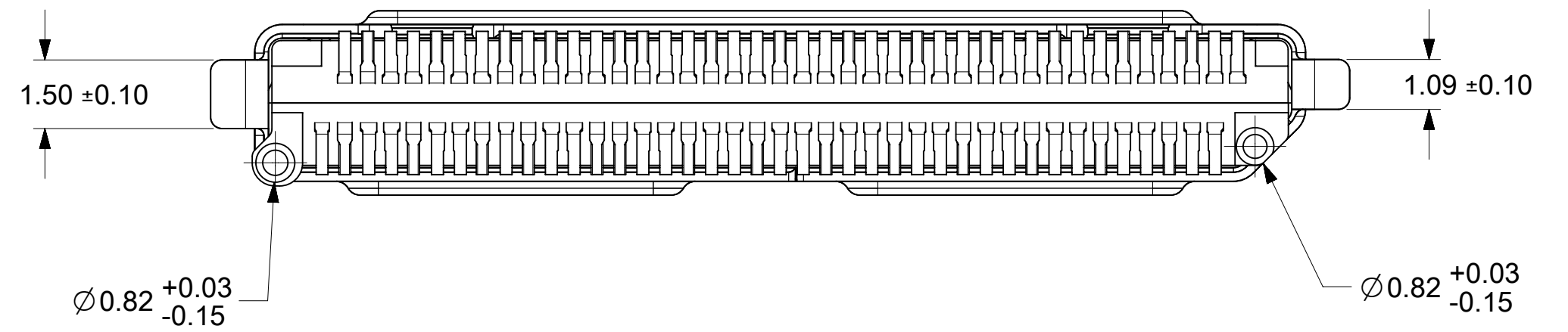
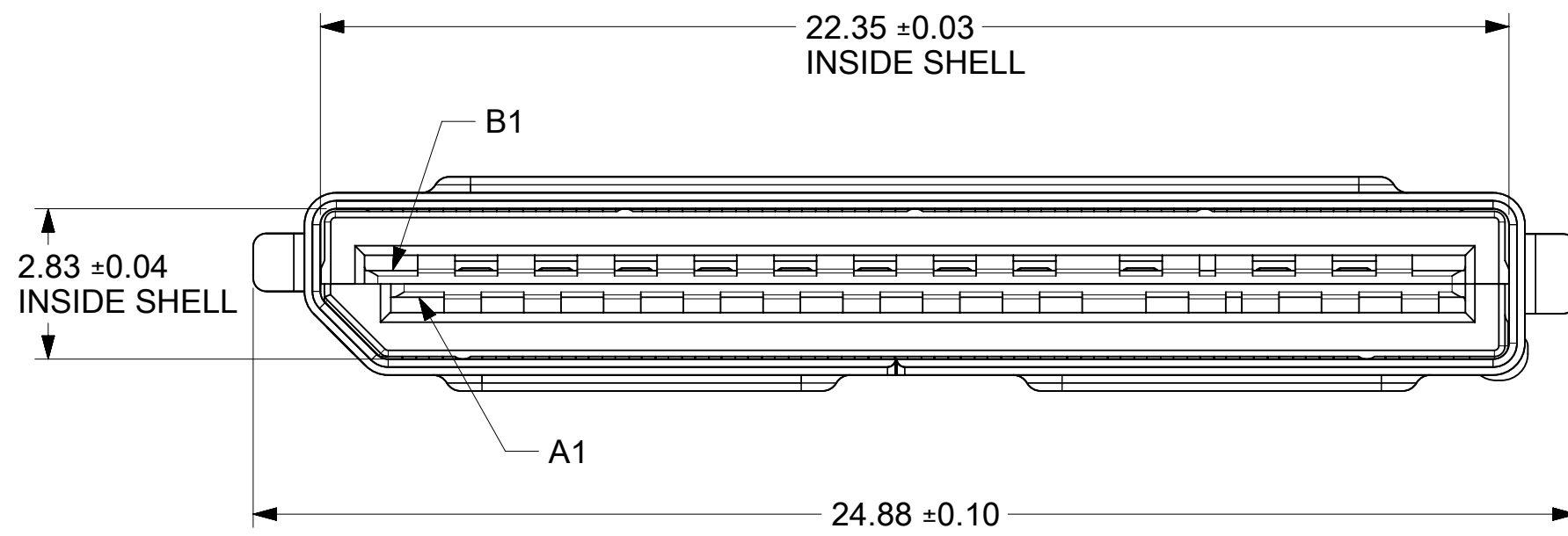
FUNCTIONAL SYMBOLS	THIS DRAWING CONTAINS INFORMATION THAT IS PROPRIETARY TO MOLEX ELECTRONIC TECHNOLOGIES, LLC AND SHOULD NOT BE USED WITHOUT WRITTEN PERMISSION												
	DIMENSION UNITS		SCALE		CURRENT REV DESC:								
	mm		5:1		EC NO: 672997								
	GENERAL TOLERANCES (UNLESS SPECIFIED)												
		MM		INCH		DRWN: RCHEN55 2021/01/12							
DIVISIONAL SYMBOLS	4 PLACES		±		±		CHK'D: JKACHLIC 2021/08/30			PRODUCT CUSTOMER DRAWING DOCUMENT NUMBER: SD-173162-0002 DOC TYPE: PSD DOC PART: 001 REVISION: E2			
	3 PLACES		±		±		APPR: JKACHLIC 2021/08/30						
	2 PLACES		±		0.13		±		INITIAL REVISION:				
	1 PLACE		±		0.25		±		DRWN: BJANOWIAK 2015/05/11				
0 PLACES		±		±		±		APPR: BJANOWIAK 2015/06/15	MATERIAL NUMBER	CUSTOMER	SHEET NUMBER		
ANGULAR TOL		±		0.5°		THIRD ANGLE PROJECTION		DRAWING	SERIES	SEE SHEET 1	GENERAL MARKET	1 OF 8	
DRAFT WHERE APPLICABLE MUST REMAIN WITHIN DIMENSIONS										C-SIZE	173162		

DOCUMENT STATUS	P1	RELEASE DATE	2021/08/30	09:41:23
-----------------	----	--------------	------------	----------

8X SMT ASSEMBLY



WITH CAP



NOTES:

1. MANUFACTURED DATE CODE (JULIAN CALENDAR)

YYDDD

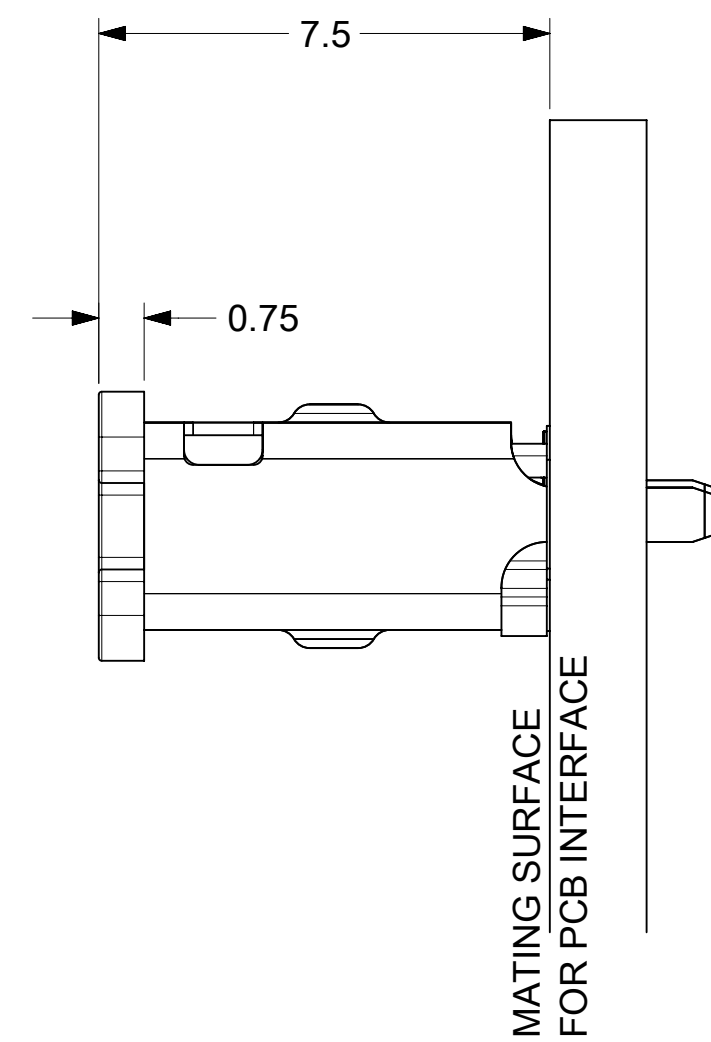
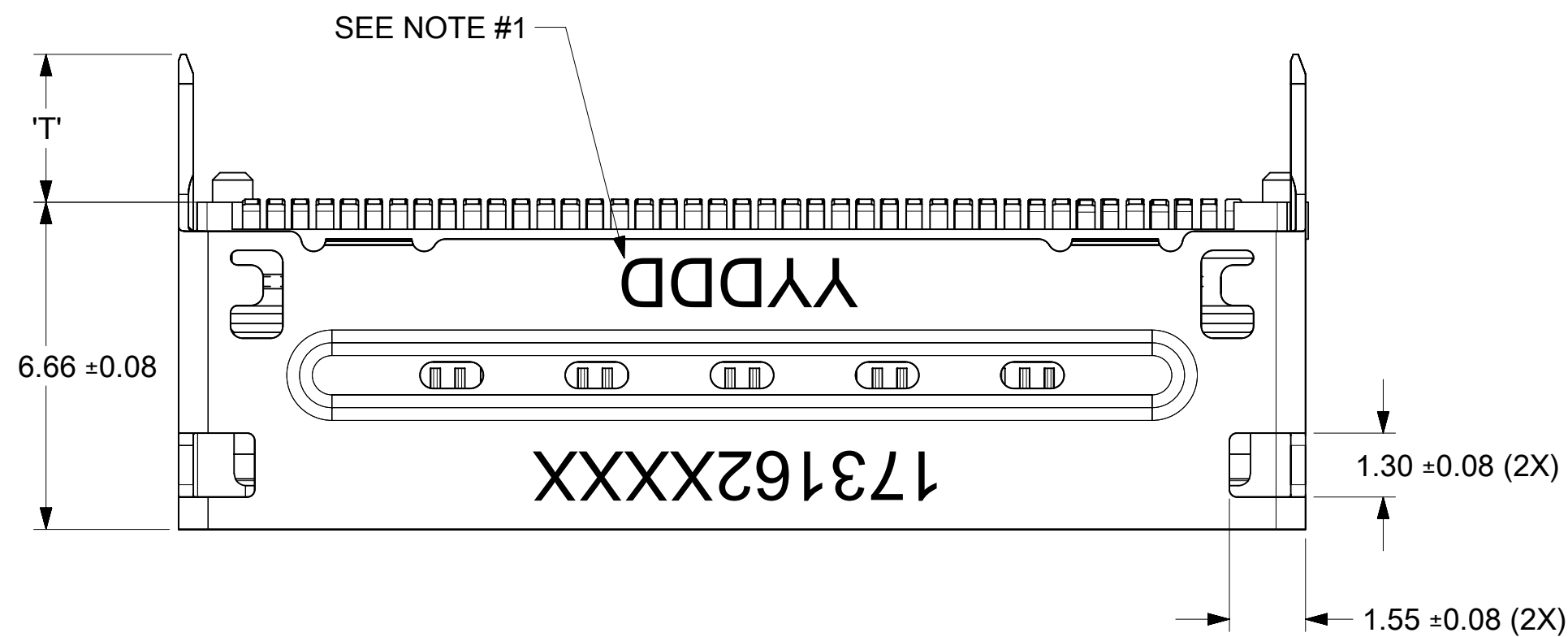
DAY OF THE YEAR

LAST TWO DIGITS OF THE YEAR

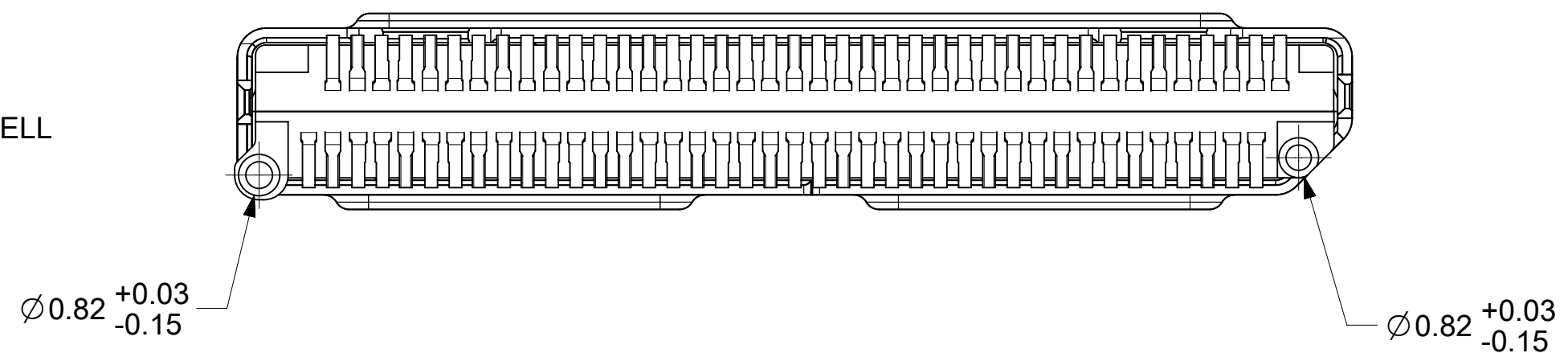
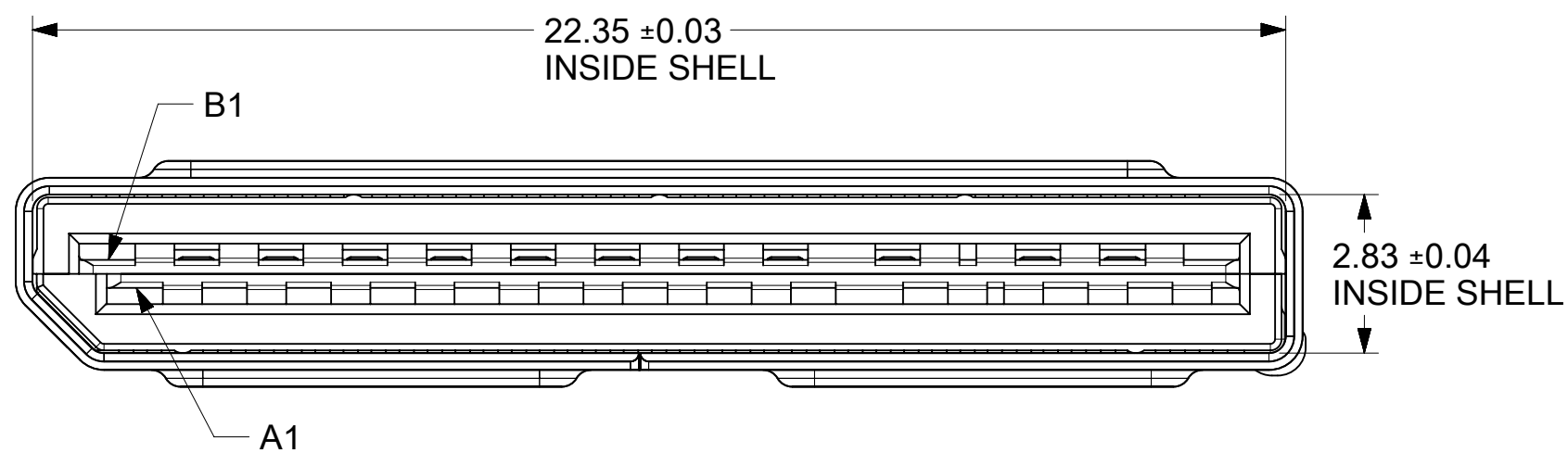
2. SOLDER TAIL COPLANARITY 0.10 MAX

FUNCTIONAL SYMBOLS	THIS DRAWING CONTAINS INFORMATION THAT IS PROPRIETARY TO MOLEX ELECTRONIC TECHNOLOGIES, LLC AND SHOULD NOT BE USED WITHOUT WRITTEN PERMISSION													
	DIMENSION UNITS	SCALE		CURRENT REV DESC:										
FA = 0	mm	8:1		EC NO: 672997 DRWN: RCHEN55 2021/01/12 CHK'D: JKACHLIC 2021/08/30 APPR: JKACHLIC 2021/08/30										
FC = 0	GENERAL TOLERANCES (UNLESS SPECIFIED)									INITIAL REVISION: DRWN: BJANOWIAK 2015/05/11 APPR: MBANAKIS 2015/09/18				
FP = 0	4 PLACES	±	±	SD-173162-0002 PSD 001 E2										
DIVISIONAL SYMBOLS	3 PLACES	±	±							DRAWING		SERIES	SEE SHEET 1	
	2 PLACES	±	0.13 ±	C-SIZE		173162								
	1 PLACE	±	0.25 ±											
	0 PLACES	±	±											
	ANGULAR TOL ± 0.5 °			THIRD ANGLE PROJECTION										
	DRAFT WHERE APPLICABLE MUST REMAIN WITHIN DIMENSIONS													

8X SOLDER TAIL ASSEMBLY



WITH CAP



NOTES:

1. MANUFACTURED DATE CODE (JULIAN CALENDAR)

YYDDD

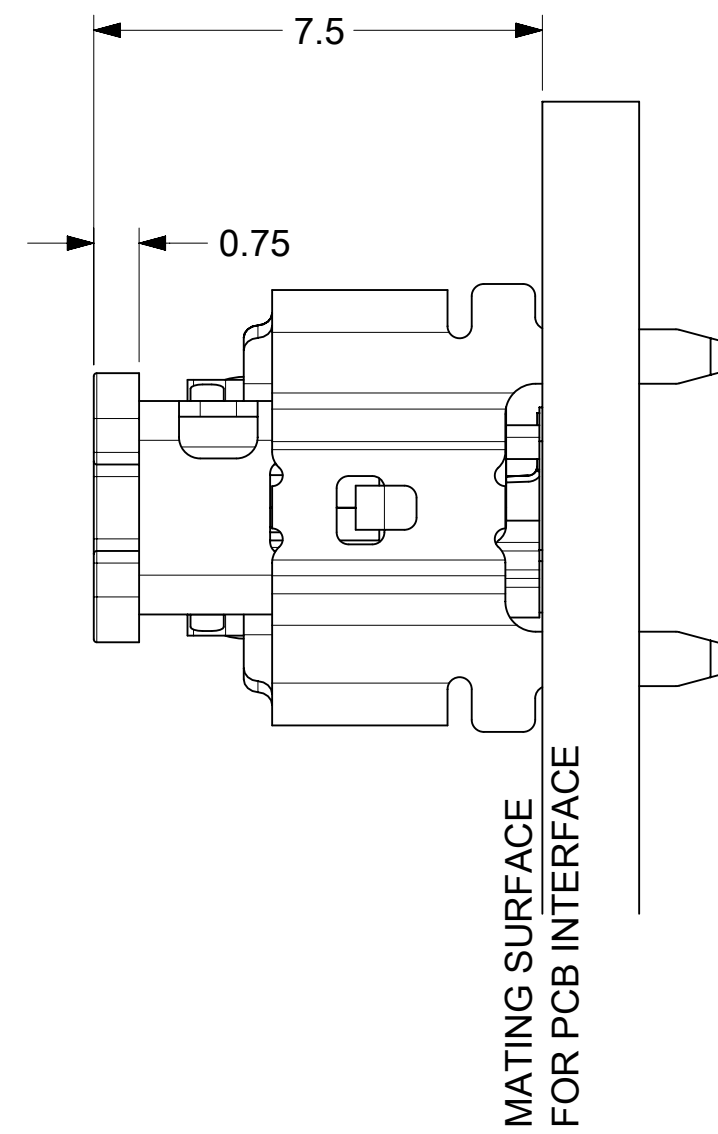
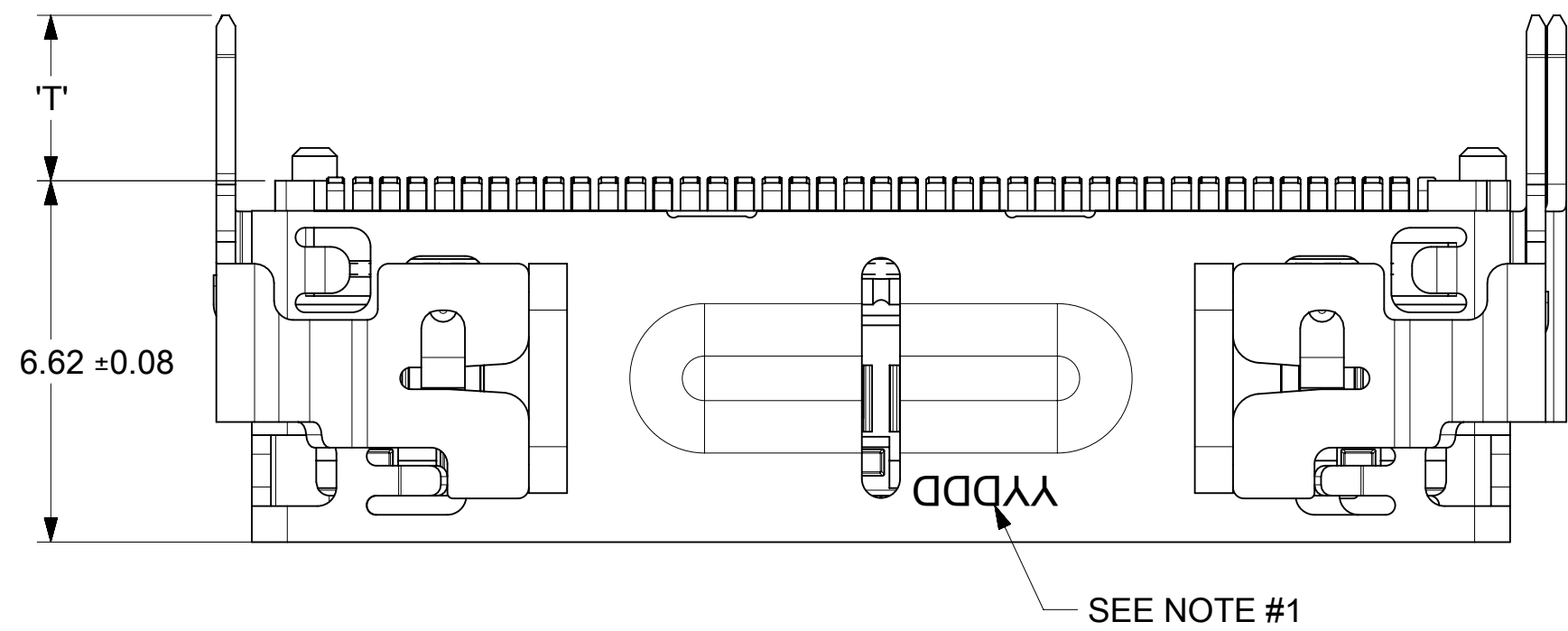
DAY OF THE YEAR

LAST TWO DIGITS OF THE YEAR

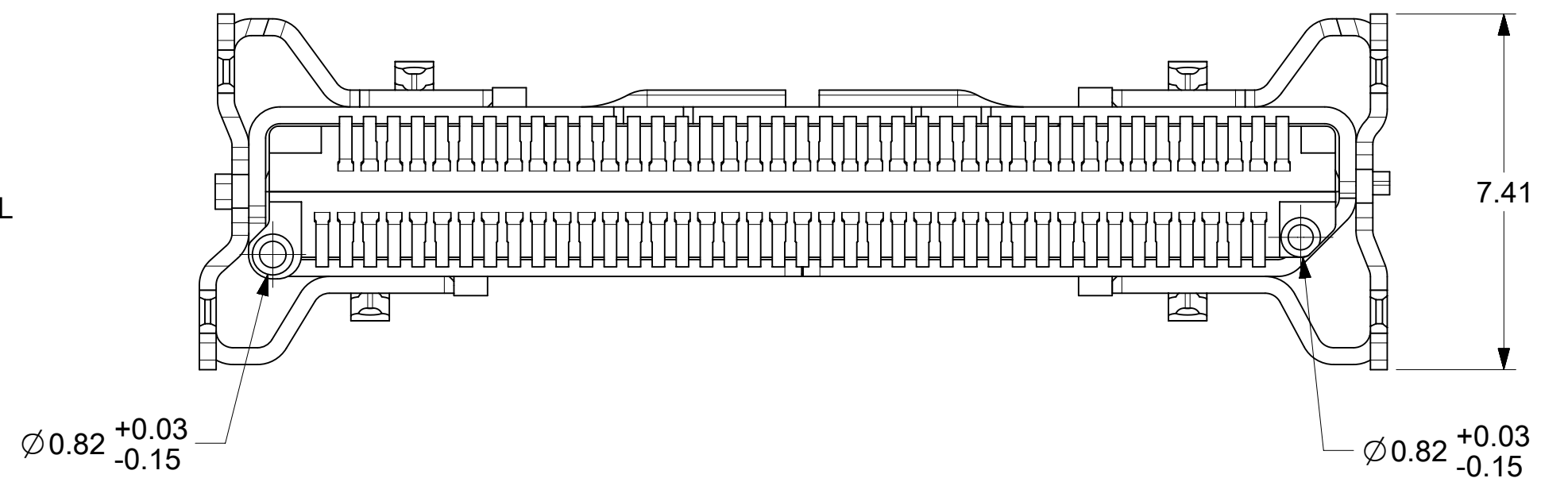
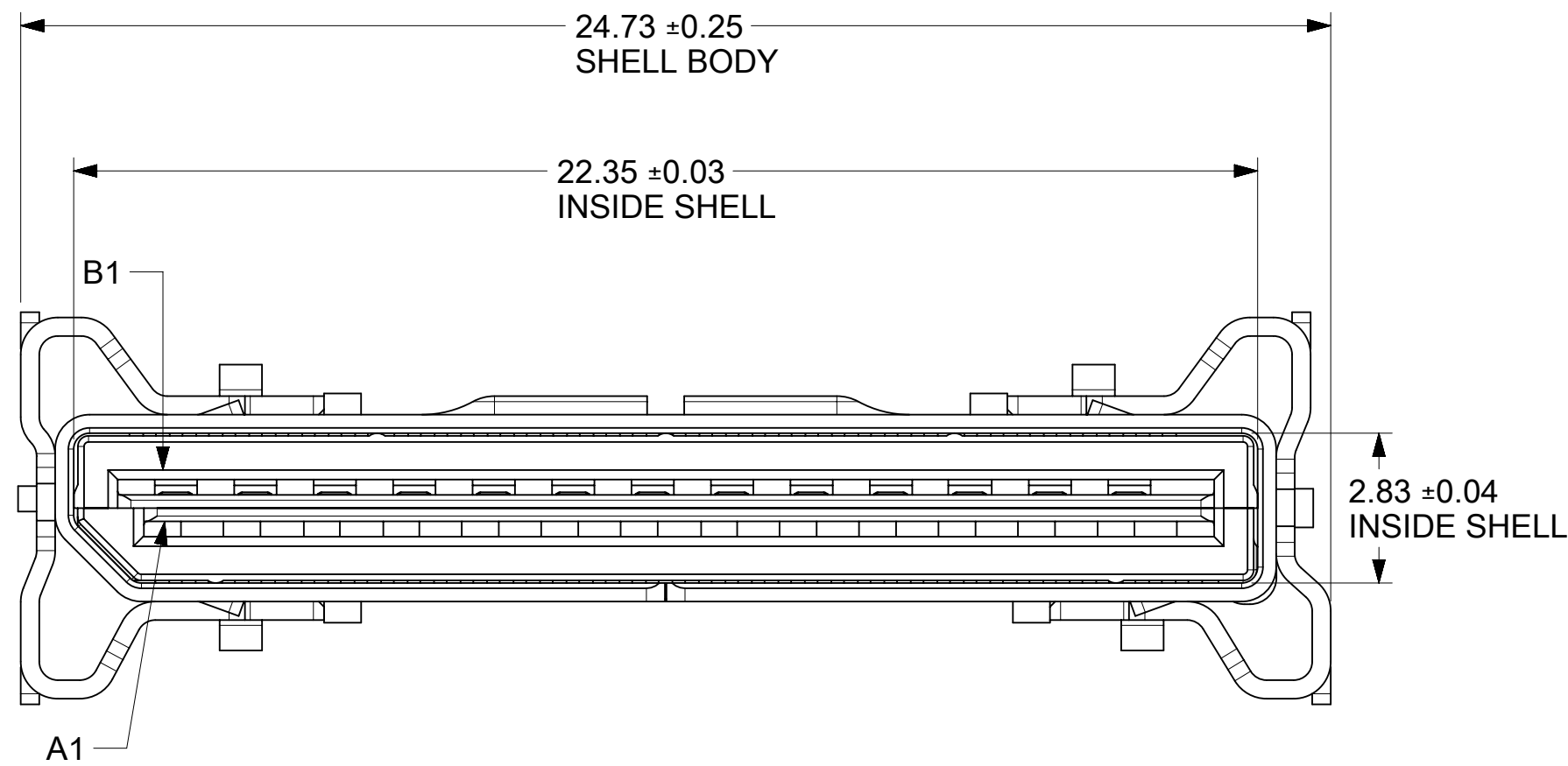
2. SOLDER TAIL COPLANARITY 0.10 MAX

FUNCTIONAL SYMBOLS	THIS DRAWING CONTAINS INFORMATION THAT IS PROPRIETARY TO MOLEX ELECTRONIC TECHNOLOGIES, LLC AND SHOULD NOT BE USED WITHOUT WRITTEN PERMISSION												
	DIMENSION UNITS		SCALE		CURRENT REV DESC:								
	mm		8:1		EC NO: 672997								
	GENERAL TOLERANCES (UNLESS SPECIFIED)												
DIVISIONAL SYMBOLS	4 PLACES		±	±	DRWN: RCHEN55 2021/01/12					NANO PITCH I/O FIXED 25G VERTICAL 8X			
	3 PLACES		±	±	CHK'D: JKACHLIC 2021/08/30								
	2 PLACES		± 0.13	±	APPR: JKACHLIC 2021/08/30								
	1 PLACE		± 0.25	±	INITIAL REVISION:								
	0 PLACES		±	±	DRWN: BJANOWIAK 2015/05/11					PRODUCT CUSTOMER DRAWING			
ANGULAR TOL		± 0.5 °			APPR: MBANAKIS 2015/09/18					DOCUMENT NUMBER SD-173162-0002	DOC TYPE PSD	DOC PART 001	REVISION E2
DRAFT WHERE APPLICABLE MUST REMAIN WITHIN DIMENSIONS		THIRD ANGLE PROJECTION			DRAWING		SERIES		MATERIAL NUMBER	CUSTOMER		SHEET NUMBER	
					C-SIZE		173162		SEE SHEET 1	GENERAL MARKET		3 OF 8	

8X XD ASSEMBLY



WITH CAP



NOTES:

1. MANUFACTURED DATE CODE (JULIAN CALENDAR)

YYDD

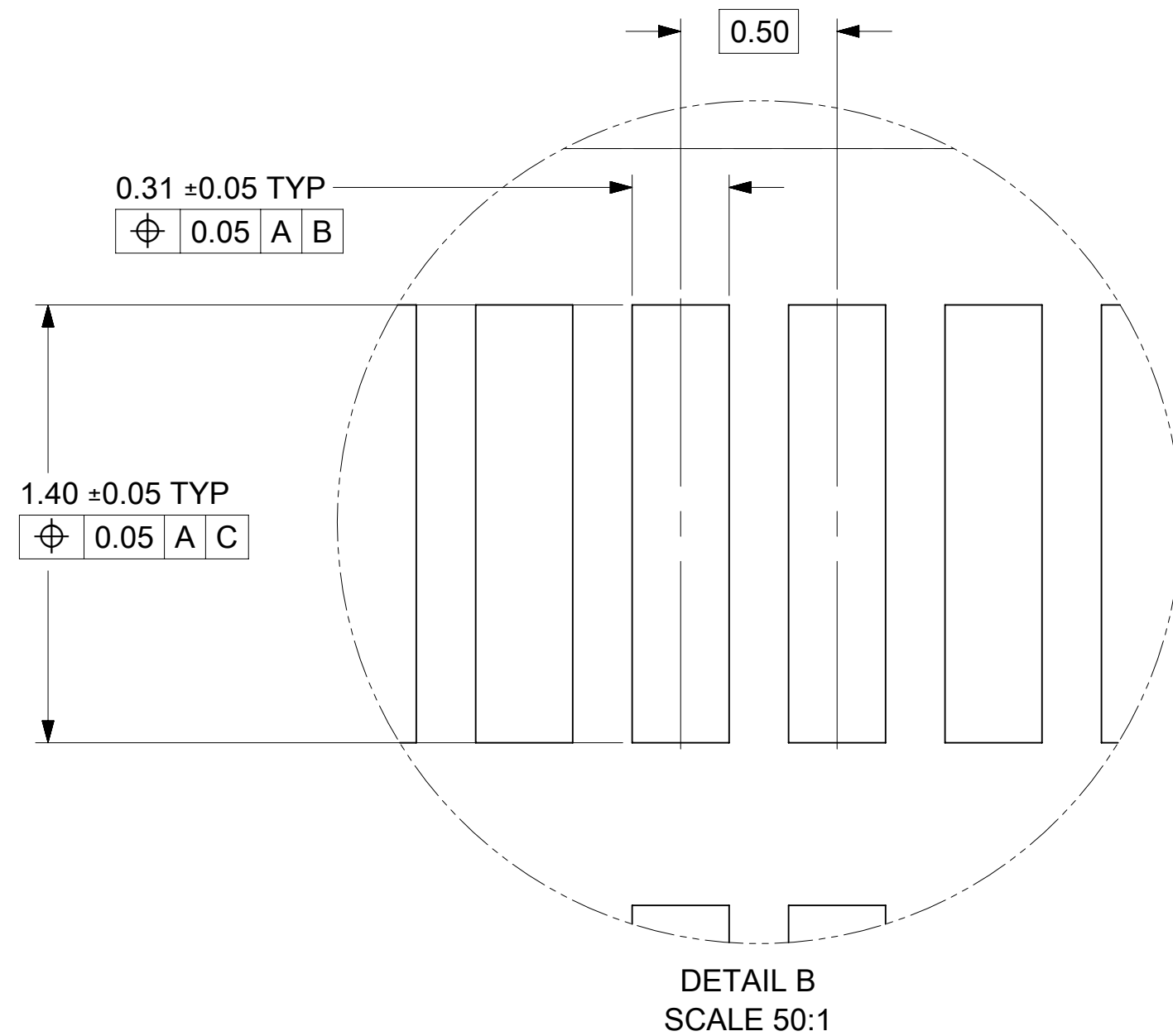
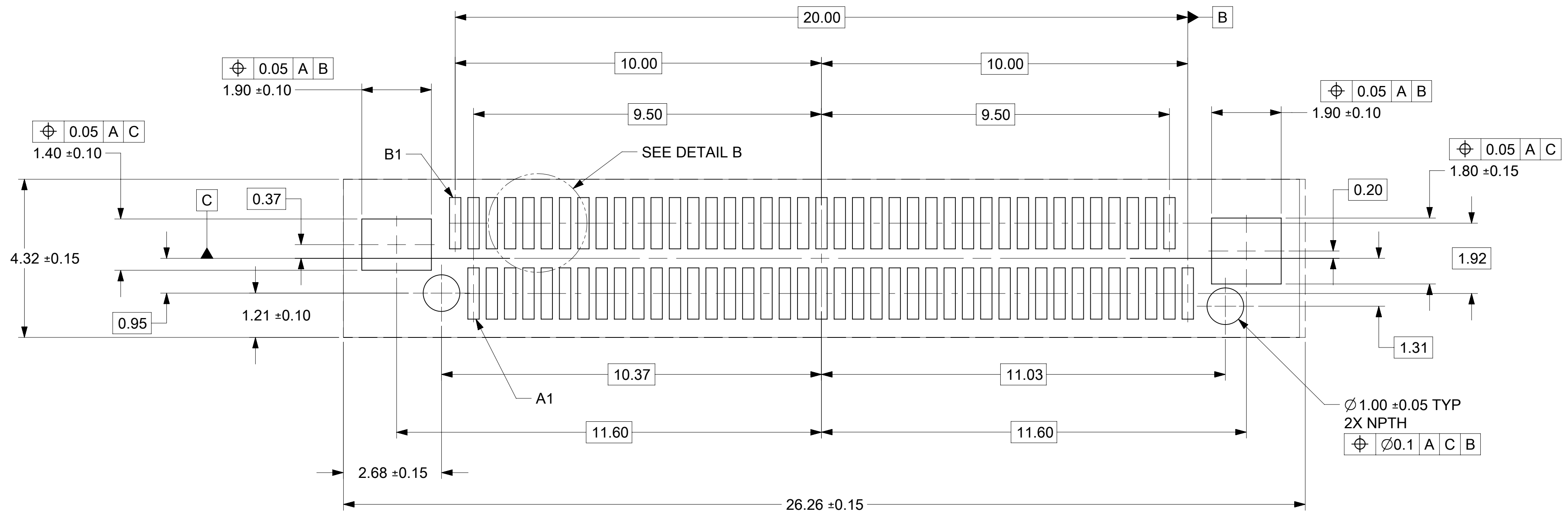
DAY OF THE YEAR

LAST TWO DIGITS OF THE YEAR

2. SOLDER TAIL COPLANARITY 0.10 MAX

FUNCTIONAL SYMBOLS	THIS DRAWING CONTAINS INFORMATION THAT IS PROPRIETARY TO MOLEX ELECTRONIC TECHNOLOGIES, LLC AND SHOULD NOT BE USED WITHOUT WRITTEN PERMISSION														
	DIMENSION UNITS	SCALE		CURRENT REV DESC:											
FA = 0	mm	8:1		EC NO: 672997 DRWN: RCHEN55 CHK'D: JKACHLIC APPR: JKACHLIC 2021/01/12 2021/08/30 2021/08/30											
FC = 0	GENERAL TOLERANCES (UNLESS SPECIFIED)									MM		INCH		2015/05/11 2015/09/18	
DIVISIONAL SYMBOLS	4 PLACES	±	±	INITIAL REVISION: DRWN: BJANOWIAK APPR: MBANAKIS 2015/05/11 2015/09/18						DOCUMENT NUMBER		DOC TYPE	DOC PART	REVISION	
	3 PLACES	±	±							SD-173162-0002		PSD	001	E2	
	2 PLACES	±	0.13							MATERIAL NUMBER		CUSTOMER		SHEET NUMBER	
	1 PLACE	±	0.25							SEE SHEET 1		GENERAL MARKET		4 OF 8	
0 PLACES	±	±	DRAFT WHERE APPLICABLE MUST REMAIN WITHIN DIMENSIONS		THIRD ANGLE PROJECTION		DRAWING	SERIES							
					C-SIZE	173162									

8X SMT RECOMMENDED FOOTPRINT



NOTES:

1. MINIMUM RECOMMENDED SPACING BETWEEN ADJACENT CONNECTOR IS 28.50mm
2. MINIMUM RECOMMENDED PCB THICKNESS: 1.57mm
3. CONNECTOR KEEP OUT AREA
4. DATUM -A- ESTABLISHED FROM TOP SURFACE OF PCB

FUNCTIONAL SYMBOLS	THIS DRAWING CONTAINS INFORMATION THAT IS PROPRIETARY TO MOLEX ELECTRONIC TECHNOLOGIES, LLC AND SHOULD NOT BE USED WITHOUT WRITTEN PERMISSION			
	DIMENSION UNITS	SCALE		CURRENT REV DESC:
$\frac{F}{A} = 0$	mm	12:1		EC NO: 672997 DRWN: RCHEN55 CHK'D: JKACHLIC APPR: JKACHLIC
$\frac{F}{C} = 0$	GENERAL TOLERANCES (UNLESS SPECIFIED)			
DIVISIONAL SYMBOLS		MM	INCH	2021/01/12
	4 PLACES	±	±	2021/08/30
	3 PLACES	±	±	2021/08/30
	2 PLACES	± 0.13	±	
	1 PLACE	± 0.25	±	INITIAL REVISION:
	0 PLACES	±	±	DRWN: BJANOWIAK APPR: MBANAKIS
	ANGULAR TOL	± 0.5 °		2015/05/11 2015/09/18
	DRAFT WHERE APPLICABLE MUST REMAIN WITHIN DIMENSIONS	THIRD ANGLE PROJECTION	DRAWING	SERIES
			C-SIZE	173162
DOCUMENT STATUS		P1	RELEASE DATE	2021/08/30 09:41:23
DOCUMENT NUMBER		SD-173162-0002	DOC TYPE	PSD
CUSTOMER		GENERAL MARKET	DOC PART	001
SHEET NUMBER		5 OF 8	REVISION	E2

molex

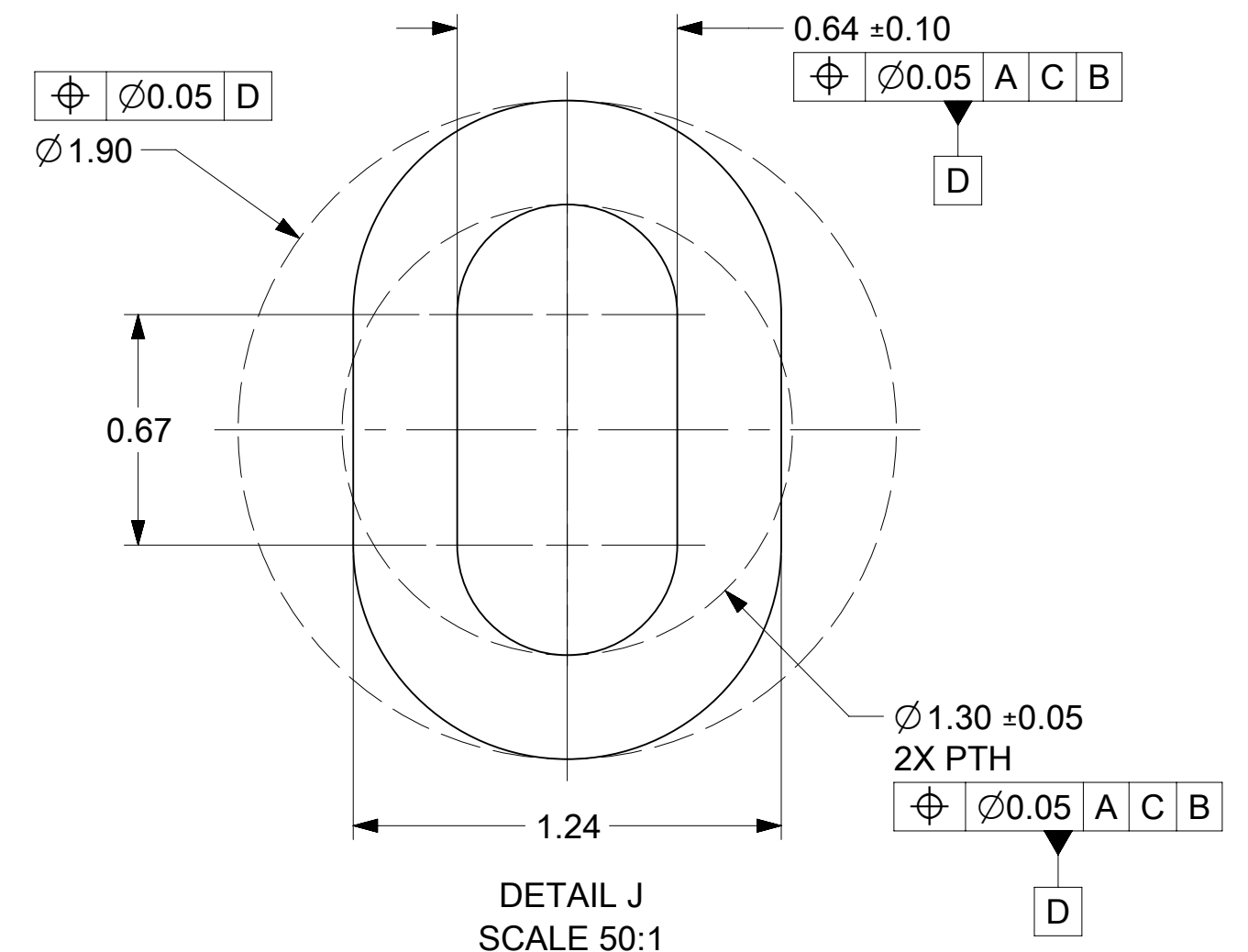
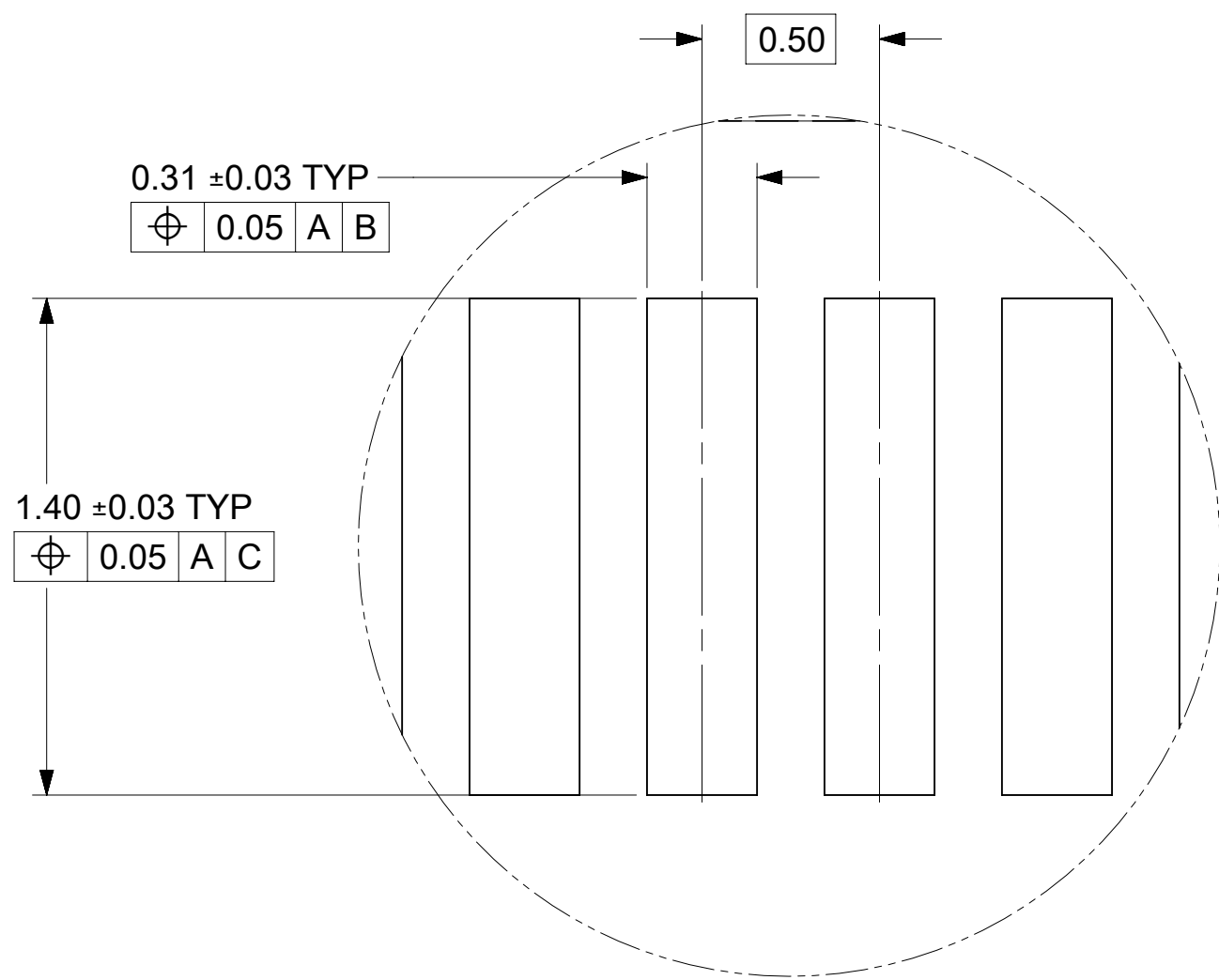
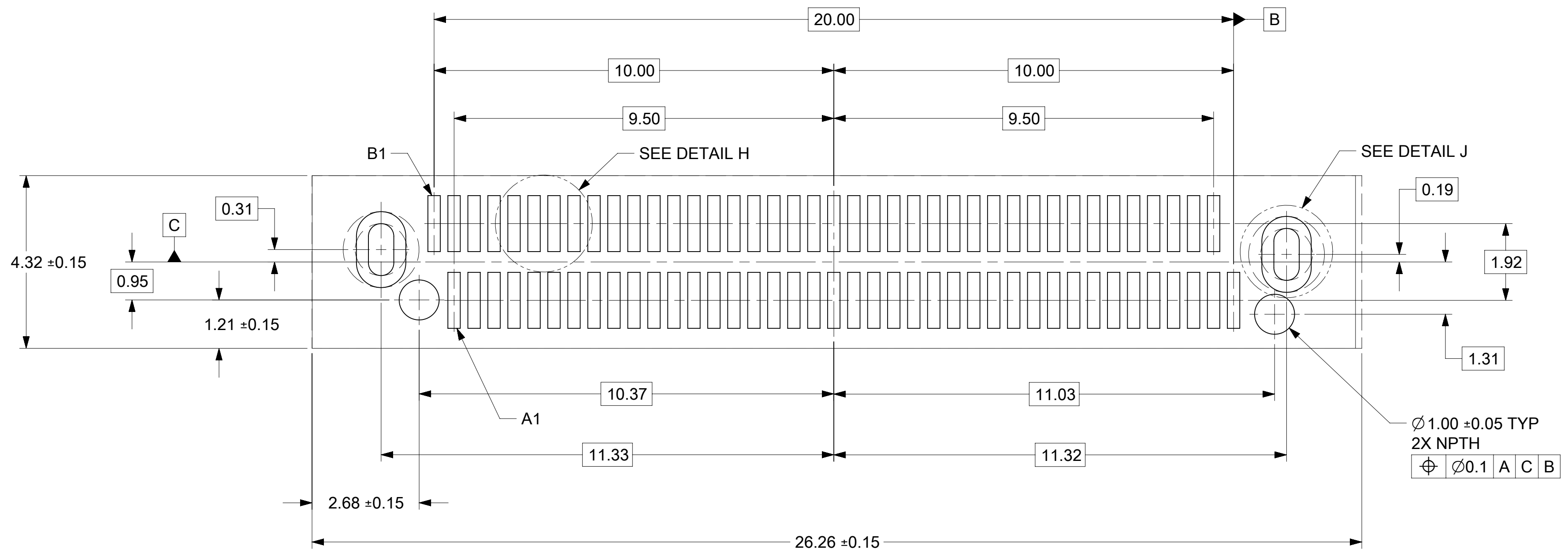
NANO PITCH I/O FIXED 25G
VERTICAL 8X

PRODUCT CUSTOMER DRAWING

DOCUMENT NUMBER: SD-173162-0002
DOC TYPE: PSD
DOC PART: 001
REVISION: E2

MATERIAL NUMBER: SEE SHEET 1
CUSTOMER: GENERAL MARKET
SHEET NUMBER: 5 OF 8

8X SOLDER TAIL RECOMMENDED FOOTPRINT



- NOTES:
1. MINIMUM RECOMMENDED SPACING BETWEEN ADJACENT CONNECTOR IS 28.50mm
 2. MINIMUM RECOMMENDED PCB THICKNESS: 1.57mm
 3. CONNECTOR KEEP OUT AREA
 4. DATUM -A- ESTABLISHED FROM TOP SURFACE OF PCB

FUNCTIONAL SYMBOLS	THIS DRAWING CONTAINS INFORMATION THAT IS PROPRIETARY TO MOLEX ELECTRONIC TECHNOLOGIES, LLC AND SHOULD NOT BE USED WITHOUT WRITTEN PERMISSION										
	DIMENSION UNITS		SCALE		CURRENT REV DESC:						
$\frac{F}{A} = 0$	mm		12:1		EC NO: 672997 DRWN: RCHEN55 2021/01/12 CHK'D: JKACHLIC 2021/08/30 APPR: JKACHLIC 2021/08/30 INITIAL REVISION: DRWN: BIANOWIAK 2015/05/11 APPR: MBANAKIS 2015/09/18						
$\frac{F}{C} = 0$	GENERAL TOLERANCES (UNLESS SPECIFIED)										
$\frac{F}{P} = 0$			MM	INCH							
DIVISIONAL SYMBOLS	4 PLACES	±	±								
	3 PLACES	±	±								
	2 PLACES	±	0.13	±							
	1 PLACE	±	0.25	±							
	0 PLACES	±	±								
	ANGULAR TOL		± 0.5 °								
DRAFT WHERE APPLICABLE MUST REMAIN WITHIN DIMENSIONS		THIRD ANGLE PROJECTION		DRAWING SERIES		MATERIAL NUMBER		CUSTOMER		SHEET NUMBER	
		C-SIZE 173162		SEE SHEET 1		GENERAL MARKET		6 OF 8			

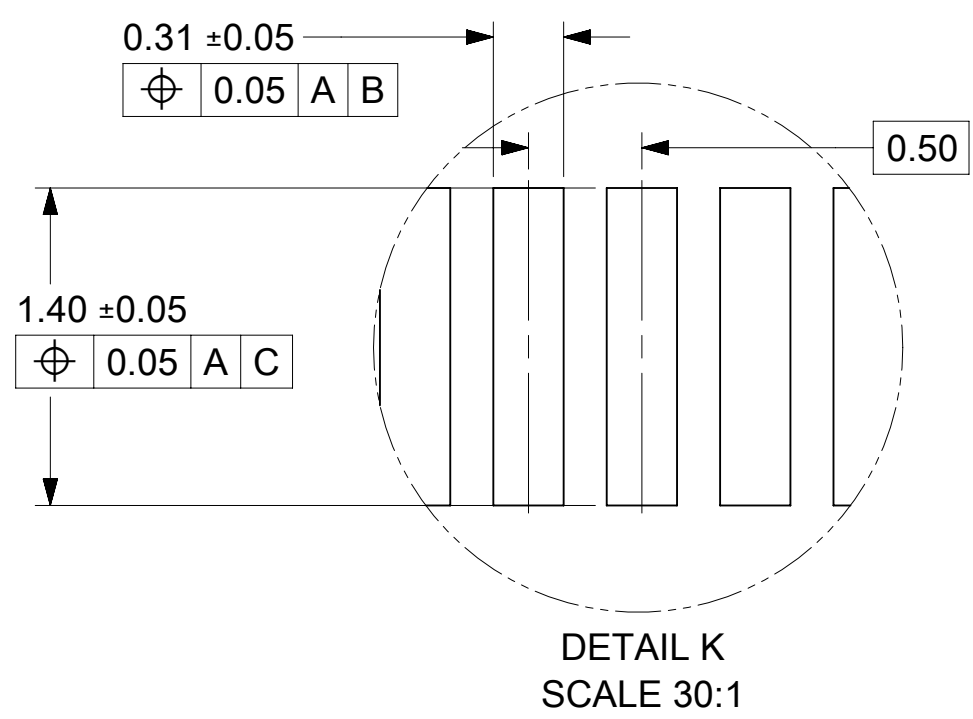
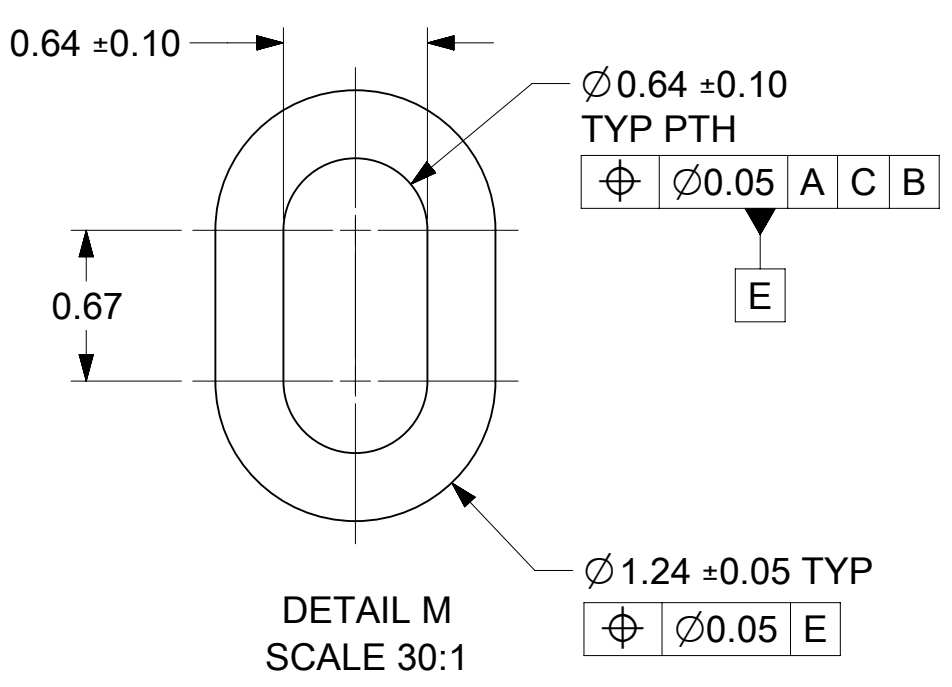
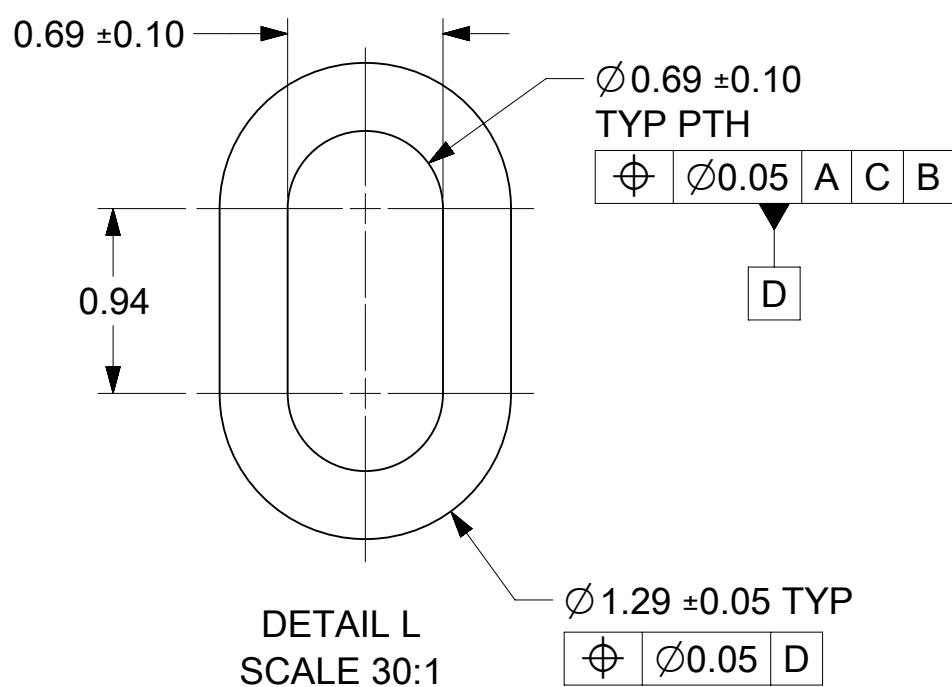
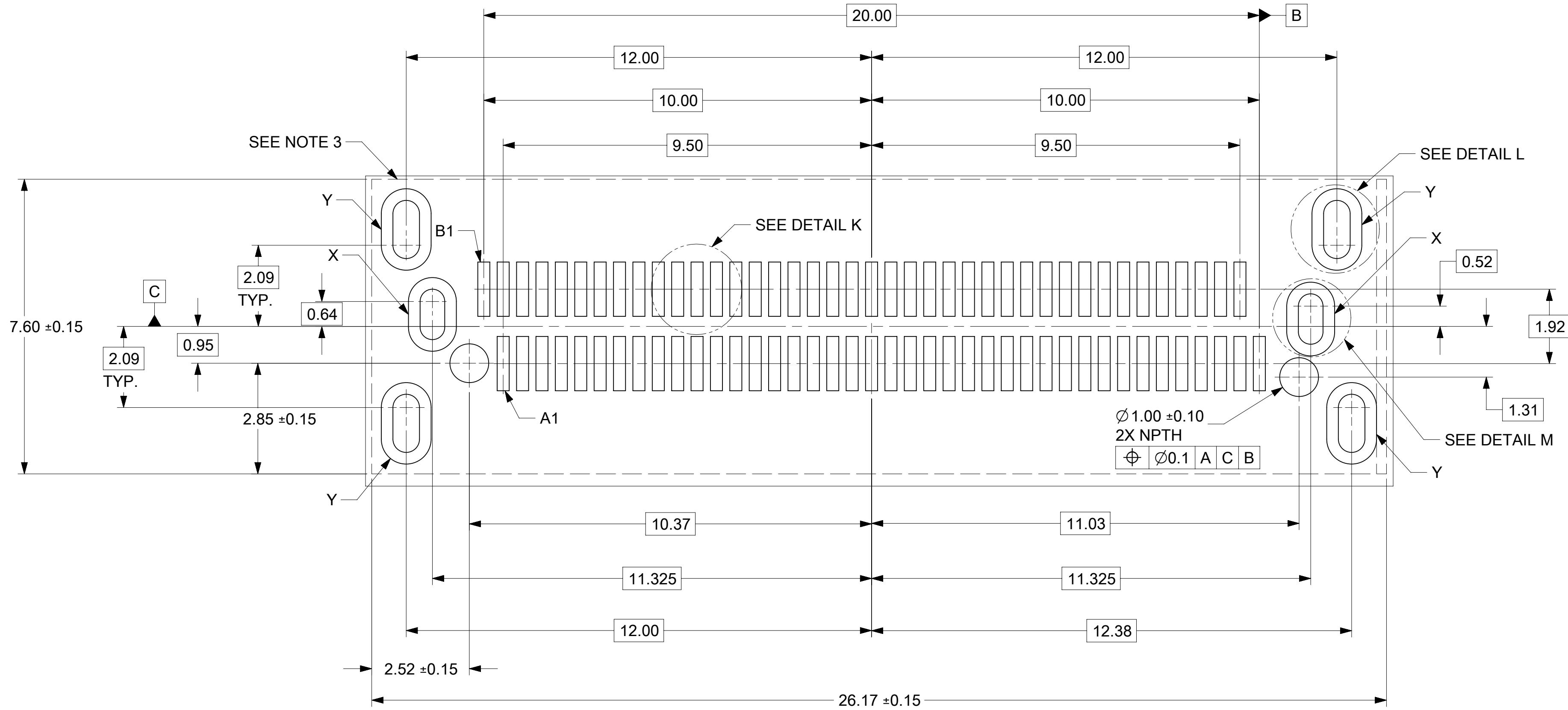
molex

NANO PITCH I/O FIXED 25G VERTICAL 8X

PRODUCT CUSTOMER DRAWING

DOCUMENT NUMBER	DOC TYPE	DOC PART	REVISION
SD-173162-0002	PSD	001	E2

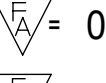
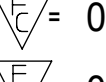
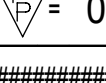

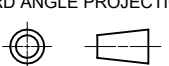
8X COMMON TAIL/XD RECOMMENDED FOOTPRINT



- NOTES:**
1. MINIMUM RECOMMENDED SPACING BETWEEN ADJACENT CONNECTOR IS 28.50mm
 2. MINIMUM RECOMMENDED PCB THICKNESS: 1.57mm
 3. CONNECTOR KEEP OUT AREA
 4. DATUM -A- ESTABLISHED FROM TOP SURFACE OF PCB
 5. COMMON FOOTPRINT SHOWN
FOR XD ONLY PATTERN USE ONLY PTH DENOTED "Y"
FOR TAIL ONLY PATTERN USE ONLY PTH DENOTED "X"

FUNCTIONAL SYMBOLS										THIS DRAWING CONTAINS INFORMATION THAT IS PROPRIETARY TO MOLEX ELECTRONIC TECHNOLOGIES, LLC AND SHOULD NOT BE USED WITHOUT WRITTEN PERMISSION																																																											
DIMENSION UNITS					SCALE					CURRENT REV DESC:																																																											
mm					12:1					EC NO: 672997																																																											
GENERAL TOLERANCES (UNLESS SPECIFIED)										DRWN: RCHEN55										2021/01/12																																																	
F/A = 0										CHK'D: JKACHLIC										2021/08/30																																																	
F/C = 0										APPR: JKACHLIC										2021/08/30																																																	
F/P = 0										INITIAL REVISION:										DOCUMENT NUMBER					DOC TYPE					DOC PART					REVISION																																		
DIVISIONAL SYMBOLS					4 PLACES ±					3 PLACES ±					2 PLACES ±					1 PLACES ±					0 PLACES ±					ANGULAR TOL ± 0.5°					DRAFT WHERE APPLICABLE MUST REMAIN WITHIN DIMENSIONS					THIRD ANGLE PROJECTION					DRAWING					SERIES					MATERIAL NUMBER					CUSTOMER					SHEET NUMBER				
					MM					INCH					DRWN: BIANOWIAK					2015/05/11					SD-173162-0002					PSD					001					E2																													
					± 0.13					±					± 0.25					±					2015/09/18					APPR: MBANAKIS					2015/09/18					SEE SHEET 1					GENERAL MARKET					7 OF 8																			

REVISION	DATE	DISCRIPTION
E2	8/10/2021	UPDATE THE DATE CODE. SHEET 2/SHEET 3 From "YYDDD" update to "P/N+ YYDDD"

FUNCTIONAL SYMBOLS  = 0  = 0  = 0  = 0 	THIS DRAWING CONTAINS INFORMATION THAT IS PROPRIETARY TO MOLEX ELECTRONIC TECHNOLOGIES, LLC AND SHOULD NOT BE USED WITHOUT WRITTEN PERMISSION DIMENSION UNITS: mm SCALE: 1:1 GENERAL TOLERANCES (UNLESS SPECIFIED) ANGULAR TOL $\pm 0.5^\circ$	CURRENT REV DESC: EC NO: 672997 DRWN: RCHEN55 2021/01/12 CHK'D: JKACHLIC 2021/08/30 APPR: JKACHLIC 2021/08/30	<div style="text-align: center; font-weight: bold; font-size: 24pt;">molex</div> <p>NANO PITCH I/O FIXED 25G VERTICAL 8X</p>			
	4 PLACES \pm 3 PLACES \pm 2 PLACES ± 0.13 1 PLACE ± 0.25 0 PLACES \pm	INITIAL REVISION: DRWN: BJANOWIAK 2015/05/11 APPR: BJANOWIAK 2015/06/15				
	DRAFT WHERE APPLICABLE MUST REMAIN WITHIN DIMENSIONS THIRD ANGLE PROJECTION 	DRAWING: C-SIZE SERIES: 173162	DOCUMENT NUMBER: SD-173162-0002 DOC TYPE: PSD DOC PART: 001 REVISION: E2	MATERIAL NUMBER: CUSTOMER: GENERAL MARKET SHEET NUMBER: 8 OF 8		