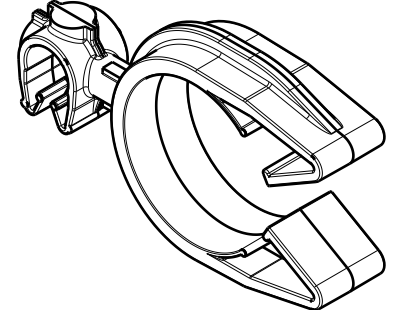
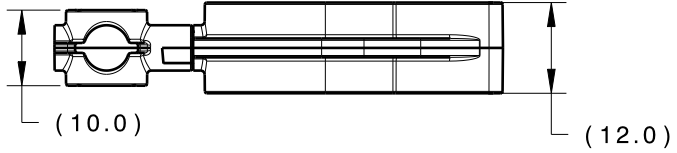
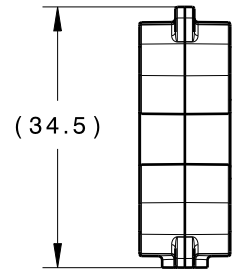
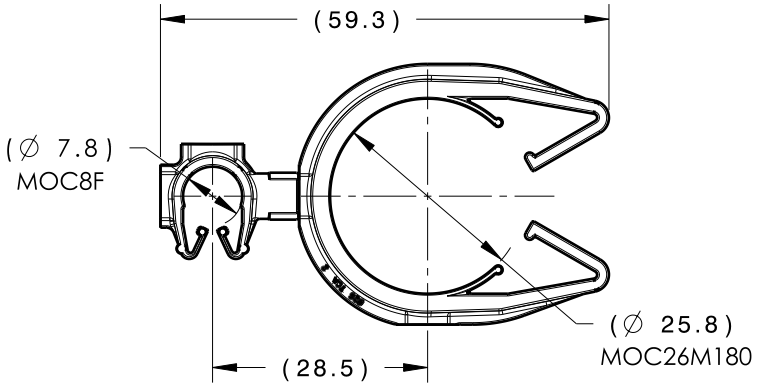


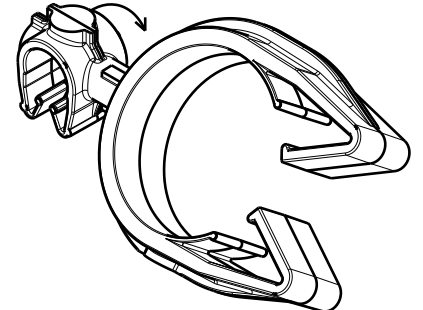
Revision Level			Revision Record	Changed	Date	Approved	Date
Drawing	State	Part					
00.1	Design Release	-	SEE ECN# 014773	TAT	11/30/2018	EJH	11/30/2018



ISOMETRIC VIEW



CLIPS ROTATE 360 DEGREES




ISOMETRIC VIEW ROTATED

TYPE	MOC8F	MOC26M180
HARNESS	7.5MM - 8.5MM	23.0MM - 28.5MM
HOSE	7.0MM - 8.5MM	23.0MM - 28.5MM
HARD PIPE/TUBE	7.9MM - 8.5MM	25.9MM - 29.0MM

*RECOMMENDED SIZES MAY DIFFER DEPENDING ON THE APPLICATION , PRODUCT REQUIREMENTS AND MATERIALS USED

**PATENT PENDING 29/582,271

GLOBAL PART DESCRIPTION	MOC8F			MOC26M180**		
	DRAWING	MATERIAL	COLOR	DRAWING	MATERIAL	COLOR
MOC8FMOC26M180-PA66HIRHSUV-BK	16-0316-000-CSU	PA66HIRHSUV	BLACK	16-0325-000-CSU	PA66HIRHSUV	BLACK

Material SEE CHART COLOR: SEE CHART	Units	millimeters	The copyright of this drawing is reserved by HellermannTyton. It is issued on condition that it is not reproduced, copied or disclosed to a third party, either wholly or in part, without the consent of HellermannTyton.	Drawn	CJR	8/28/18	Article/Type-No	MOC8FMOC26M180		Scale	1:1
	Tolerance defined on each dimension	Approved		TAT	8/31/18	Title		8MM MOC COUPLED TO A 26MM MOC M180		Project Number	16-0330
		 North America Email: corp@htamericas.com Web: www.hellermann.tyton.com			Drawing-No		PRODUCTION : Phase		Format	AH	
							16-0330-285-CSU		Sheet	1/1	