

NOTES:

- MATERIALS AND FINISHES:
 FERRULE - COPPER, NICKEL PLATING
 BODY - BRASS, NICKEL PLATING
 CONTACT PIN - BRASS & PHOSPHOR BRONZE, GOLD PLATING
 INSULATOR - PTFE, NATURAL

- ELECTRICAL:
 A. IMPEDANCE: 50 OHM
 B. FREQUENCY RANGE: DC - 11 GHz
 C. D.W.V: 1500 VRMS, MIN.

- MECHANICAL:
 A. DURABILITY: 500 CYCLES MIN.
 B. TEMPERATURE RANGE: -65°C TO +165°C

4. CRIMPED FERRULE HEX CRIMP SIZE .128"

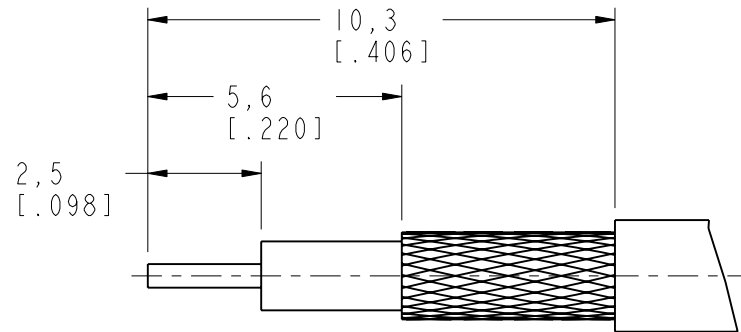
5. CONTACT PIN TO SOLDER

6. SHOWS CABLE ENTRY DIMENSIONS.

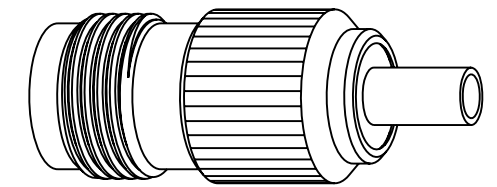
THIRD ANGLE PROJ.

REVISIONS

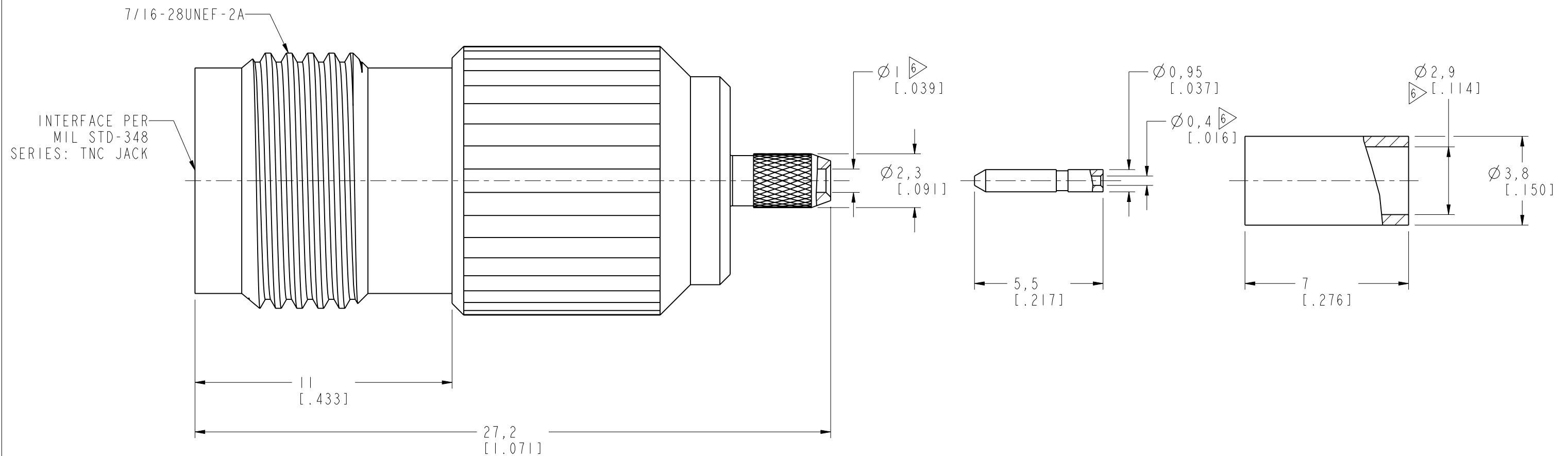
REV	DESCRIPTION	DATE	ECO	APPR
NC	INITIAL RELEASE	08-Jan-08	----	GRS
A	REVISE NOTE 5. CONTACT PIN TO SOLDER	17-Jan-08	----	GRS
B	FERRULE'S O.D. & INSULATOR MATERIAL WAS CHANGED	25-Feb-10	2025	TD
C	SYNC, UPDATE DRAWING FORMAT	26-Oct-15	50840	MZ



RECOMMENDED
CABLE STRIPPING DIM'S



SCALE 2.000



CUSTOMER OUTLINE DRAWING

ALL OTHER SHEETS ARE FOR INTERNAL USE ONLY

UNLESS OTHERWISE SPECIFIED, DIMENSIONS ARE IN METRIC AND TOLERANCES ARE: <0.5mm ±0.05mm 0.5 - 6mm ±0.1mm 6 - 30mm ±0.2mm 30 - 120mm ±0.3mm ANGLES ±1°	MATERIAL	DRAWN M. ZHANG	DATE 26-Oct-15	TITLE TNC CRIMP JACK (FOR RG-196A/U, 178B/U CABLE)	Amphenol RF www.amphenolrf.com	
	REFERENCE AND CONFIGURATION LEVEL: In Work	ENGINEER S. DUAN	DATE 26-Oct-15			DRAWING NO. T6121GI-NT3G-196AU-50
NOTICE - These drawings, specifications, or other data (1) are, and remain the property of Amphenol corp. (2) must be returned upon request; and (3) are confidential and not to be disclosed to any person other than those to whom they are given by Amphenol Corp. the furnishing of these drawings, specifications, or other data by Amphenol Corp., or to any other person to anyone for any purpose is not to be regarded by implication or otherwise in any manner licensing, granting rights to permitting such holder or any other person to manufacture, use or sell any product, process or design, patented or otherwise, that may in any way be related to or disclosed by said drawings, specifications, or other data.	FINISH	APPROVED S. HSIEH	DATE 27-Oct-15	SCALE: 6.0:1.0	SHEET 2 OF 2	
			CAD FILE		DWG SIZE B	REV C
						ITEM NO. 026121ABG16NA5F
						PART NO. 122455