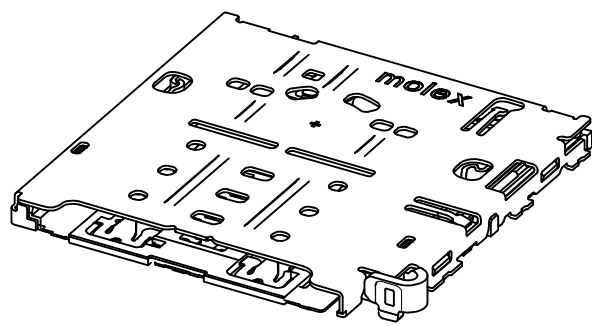
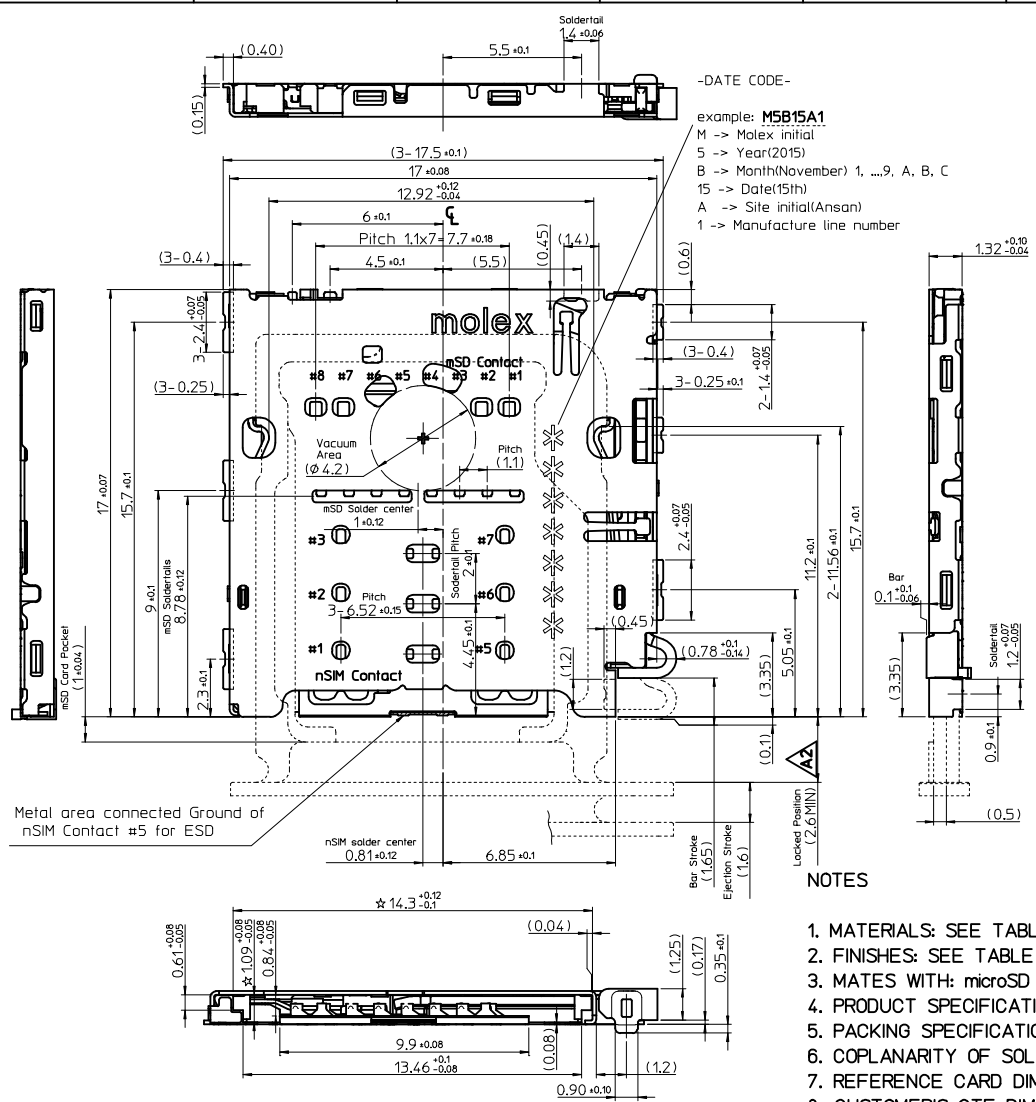


[Circuit diagram for Detection Switch of Card Tray]

Tray insertion condition	Tray detection switch	Circuit Ground/Common	Switch terminal
Without Tray	Open		
Tray inserted	Close		



-DATE CODE-
example: MSB15A1
M -> Molex initial
S -> Year(2015)
B -> Month(November) 1, ...,9, A, B, C
15 -> Date(15th)
A -> Site initial(Ansan)
1 -> Manufacture line number

NOTES

1. MATERIALS: SEE TABLE
2. FINISHES: SEE TABLE
3. MATES WITH: microSD Card or nanoSIM(UICC 4FF) Card
4. PRODUCT SPECIFICATIONS: PS-104258-001
5. PACKING SPECIFICATIONS: SPK-104258-003
6. COPLANARITY OF SOLDER TAILS: 0.08mm MAX. BEFORE & AFTER 250°C REFLOW
7. REFERENCE CARD DIMENSIONS ARE WITH STANDARD DIMENSION CARD
8. CUSTOMER'S CTF DIMENSION(*) IS EQUAL TO MOLEX MAJOR QUALITY SYMBOL(▼)

104258-1411	1042581411
PART (ORDER NO.)	MATERIAL NO.

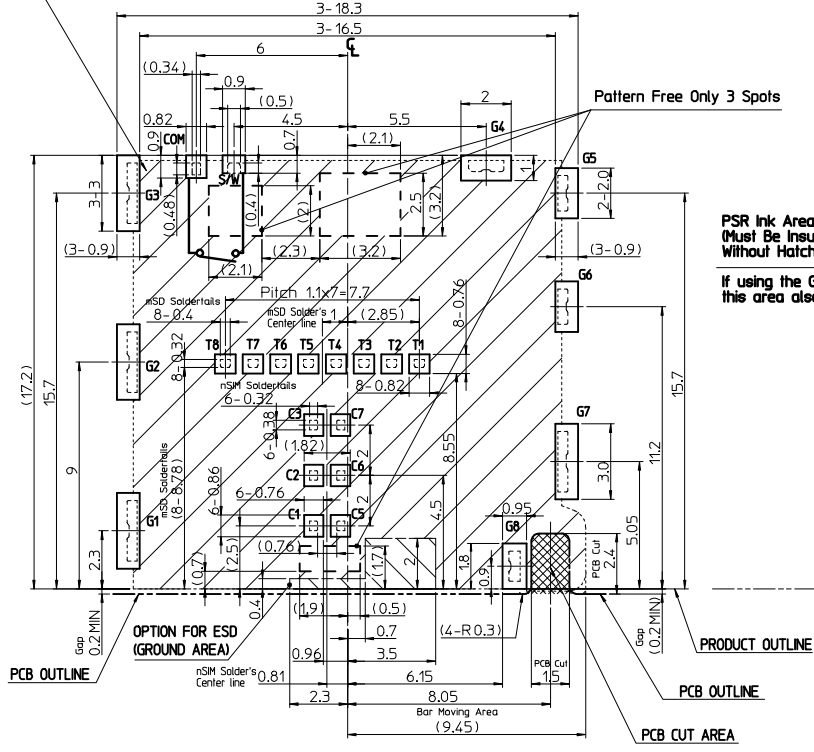
NO.	PARTS NAME	MATERIALS	FINISHES
1	CONTACT TERMINAL(14P) SWITCH TERMINAL	COPPER ALLOY	CONTACT nSIM : GOLD 0.054µm MIN. OVER Pd-Ni 0.31µm MIN. CONTACT mSD & SWITCH : GOLD 0.054µm MIN Pd-Ni 0.21µm MIN. DETECTOR(COMMON) : GOLD 0.14µm MIN. SOLDERS : GOLD 0.034µm MIN. BASE : NICKEL 1.271µm MIN. (Pd-Ni IS PALLADIUM NICKEL)
2	COMMON (DETECTOR)	PHOSPHOR BRONZE	
3	SHELL	STAINLESS STEEL	NICKEL 1.271µm MIN.
4	HOUSING	LIQUID CRYSTAL POLYMER	BLACK COLOR, UL94V-0
5, 6	BAR, HINGE	STAINLESS STEEL	NONE
7, 8	LATCH LEFT/RIGHT	STAINLESS STEEL	NONE

REVISED (TRAY HANDLE)
EC NO: KOR2017-0054
2017/05/19
DRAWN: ICYANG
CHKD: SHCHU
2017/05/19
APPR: YSKIM02
2017/05/24

QUALITY SYMBOLS	GENERAL TOLERANCES (UNLESS SPECIFIED)		DIMENSION STYLE	SCALE	DESIGN UNITS	THIRD ANGLE PROJECTION	
	mm	INCH	MM ONLY	5/1	METRIC	⊙	◻
▼=3	4 PLACES ±---	±---	DRAWN BY ICYANG	DATE 2015/04/08	TITLE MSD/NSIM HYBRID SOCKET BAR-PUSH TRAY TYPE 1.32H 8P/6P		
▽=0	3 PLACES ±0.12	±---	CHECKED BY SHCHU	DATE 2015/04/08	molex		
	2 PLACES ±0.12	±---	APPROVED BY YSKIM02	DATE 2015/06/30			
	1 PLACE ±0.15	±---	MATERIAL NO.		DOCUMENT NO.	SHEET NO.	
	0 PLACE ±0.15	±---	SEE TABLE		SD-104258-001	1 OF 5	
	ANGULAR ± 1°		THIS DRAWING CONTAINS INFORMATION THAT IS PROPRIETARY TO MOLEX INCORPORATED AND SHOULD NOT BE USED WITHOUT WRITTEN PERMISSION				

NO TRACE/NO VIA (NO PATTERN AREA);

ALL INNER SPACES OF A SOCKET MUST BE AVOID THE PATTERN (NO TRACE/NO VIA/NO SIGNAL/NO GROUND) EXCEPT, SOLDER PATTERN AND GROUND PATTERN, SPECIALLY 3 BOXES AVAILABLE FOR FREE BECAUSE, SOCKET'S BOTTOM SURFACES ARE MADE OF METAL INCLUDING CONTACT TERMINALS'S MOVING AREA



RECOMMENDED PCB LAYOUT [FRONT VIEW]

(TOLERANCE : ±0.05)

* This product has no C4, C8 Contact terminal

[nanoSIM CARD PIN-MAP]

PIN NO.	DESCRIPTION
C1	Vcc(Supply V)
C2	RST(Reset)
C3	CLK(Clock)
(C4)	None
C5	GND(Ground)
C6	Vpp(Program V)
C7	I/O
(C8)	None

*There is only one tray insertion/removal detection switch physically.

Therefore, After tray detecting, this product is necessary to detect the SIM or SD Card separately in software.

[microSD CARD PIN-MAP]

PIN NO.	DESCRIPTION
T1	DAT2
T2	CD/DAT3 ²
T3	COM
T4	V _{DD}
T5	CLK
T6	V _{SS} (GND)
T7	DAT0
T8	DAT1

G1-G8	GROUND or NOT CONNECT
S/W	TRAY DETECTOR
COM	GND or COMMON

Hatching Areas are Pattern Prohibition (No Via/No Trace) Because of Contact terminals moving

Pattern Free Only 3 Spots

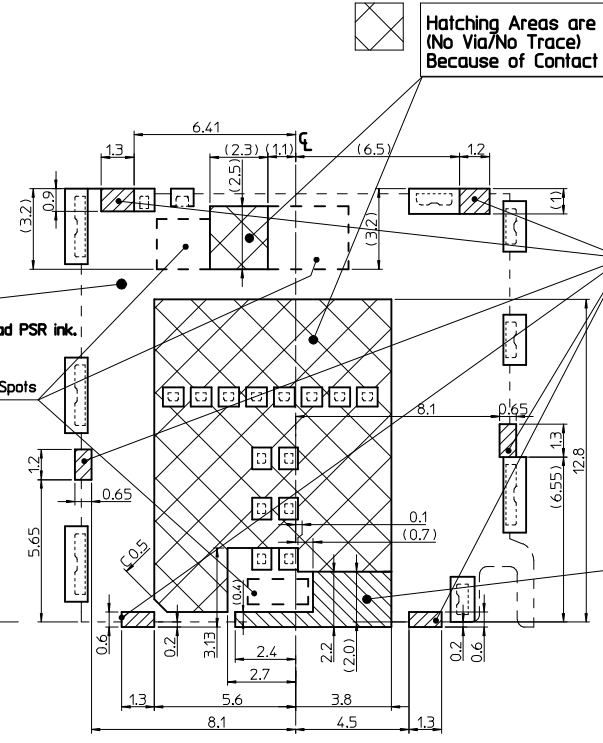
PSR Ink Area (Must Be Insulation Coating) Without Hatching or Solder Area

If using the G1-G8 as Ground, this area also can be the Ground instead PSR ink.

Pattern Free Only 3 Spots

Hatching Areas are Pattern Prohibition (No Via/No Trace) If using the G1-G8 as Ground, these areas also can be as Ground instead of pattern prohibition areas.

Ground or No Pattern(No via/No trace)



SPECIAL PCB LAYOUT FOR CUSTOMER REQUEST [FRONT VIEW]

MINIMIZING THE NO(PROHIBITED) PATTERN AREA

(TOLERANCE : ±0.05)

* This product has no C4, C8 Contact terminal

[nanoSIM CARD PIN-MAP]

PIN NO.	DESCRIPTION
C1	Vcc(Supply V)
C2	RST(Reset)
C3	CLK(Clock)
(C4)	None
C5	GND(Ground)
C6	Vpp(Program V)
C7	I/O
(C8)	None

*There is only one tray insertion/removal detection switch physically.

Therefore, After tray detecting, this product is necessary to detect the SIM or SD Card separately in software.

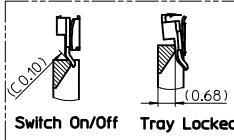
[microSD CARD PIN-MAP]

PIN NO.	DESCRIPTION
T1	DAT2
T2	CD/DAT3 ²
T3	COM
T4	V _{DD}
T5	CLK
T6	V _{SS} (GND)
T7	DAT0
T8	DAT1

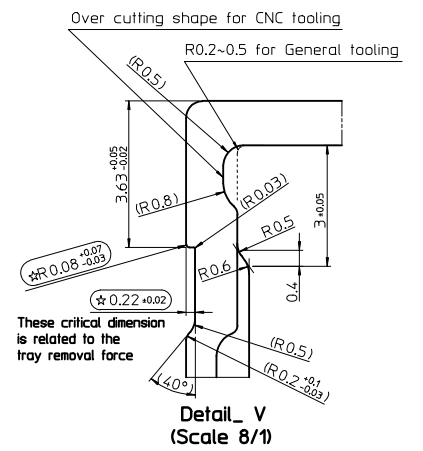
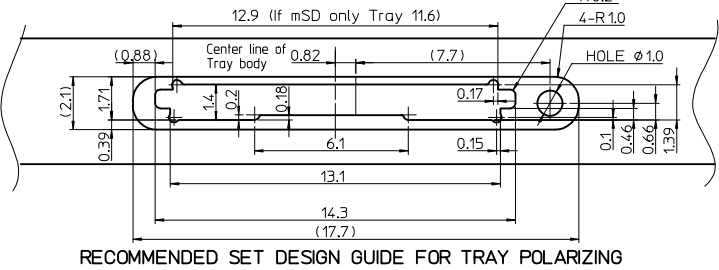
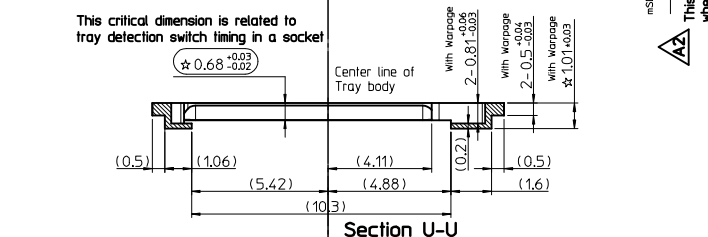
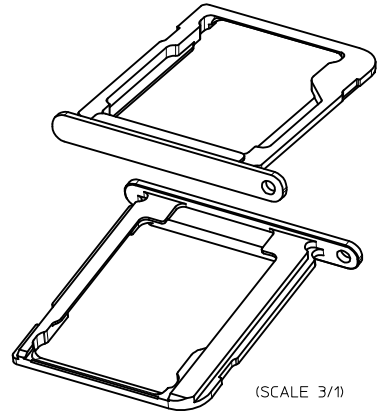
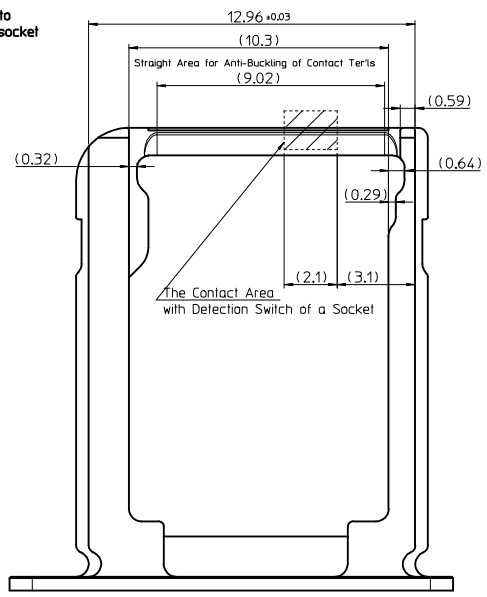
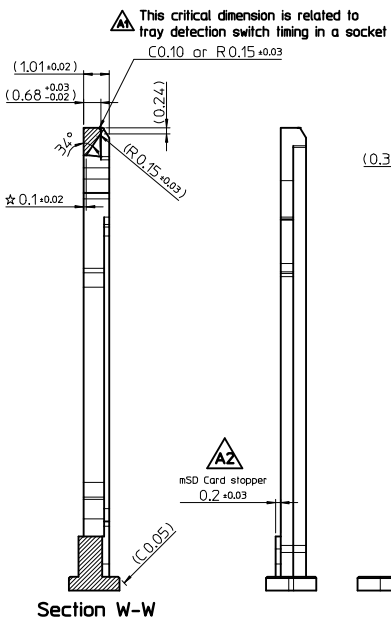
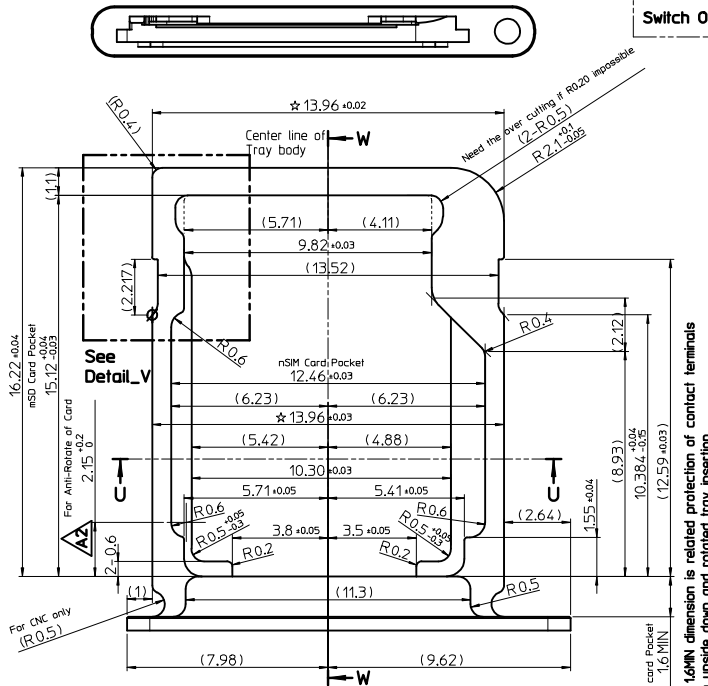
G1-G8	GROUND or NOT CONNECT
S/W	TRAY DETECTOR
COM	GND or COMMON

SEE SHEET1 EC NO: KOR2017-0054 DRWN: ICYANG 2017/05/19 CHKD: SHCHU 2017/05/19 APPR: YSK1M02 2017/05/24	QUALITY SYMBOLS ▽=0 ▽=0	GENERAL TOLERANCES (UNLESS SPECIFIED)		DIMENSION STYLE MM ONLY		SCALE 5/1	DESIGN UNITS METRIC	THIRD ANGLE PROJECTION		
				DRAWN BY ICYANG	DATE 2015/04/08	TITLE MSD/NSIM HYBRID SOCKET BAR-PUSH TRAY TYPE 1.32H 8P/6P				
				CHECKED BY SHCHU	DATE 2015/04/08	MATERIAL NO. SEE SHEET1				
				APPROVED BY YSK1M02	DATE 2015/06/30	DOCUMENT NO. SD-104258-001				
DRAFT WHERE APPLICABLE MUST REMAIN WITHIN DIMENSIONS		SIZE A3		THIS DRAWING CONTAINS INFORMATION THAT IS PROPRIETARY TO MOLEX INCORPORATED AND SHOULD NOT BE USED WITHOUT WRITTEN PERMISSION						

REFERENCE TRAY DRAWING



Molex shall not be responsible for any infringement to the extent such infringement is the result of (a) use of the Product(s) in combination with any other products not provided by Molex if the infringement would not have occurred but for such combination, (b) any alteration or modification of the Product(s) not undertaken or authorized by Molex if the infringement would not have occurred but for such alteration or modification, (c) Molex's compliance with Buyer's specifications if the infringement would not have occurred but for such compliance, or (d) Buyer's failure to comply with Molex's instructions regarded as necessary to render the Product(s) non-infringing if the infringement would not have occurred if Buyer would have complied with Molex's instructions.



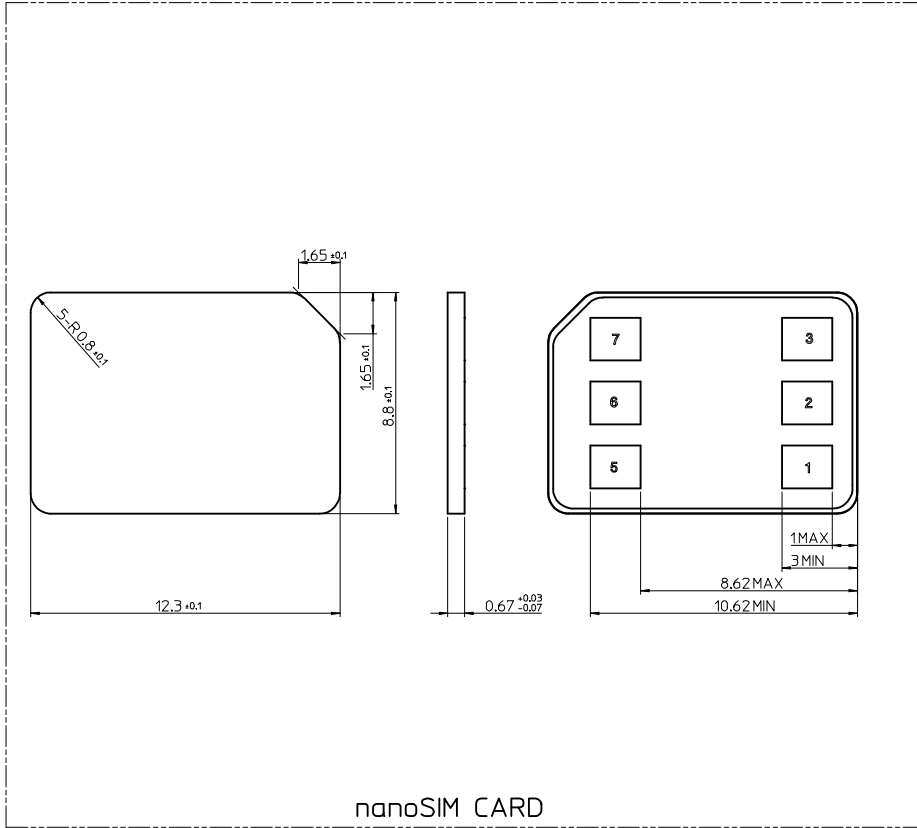
RECOMMENDED SET DESIGN GUIDE FOR TRAY POLARIZING

(TOLERANCE : ±0.05)
 ** Hybrid Socket is not applied design for Anti-crush of contact terminals. So, need the Tray polarizing by Set Case which is very important.

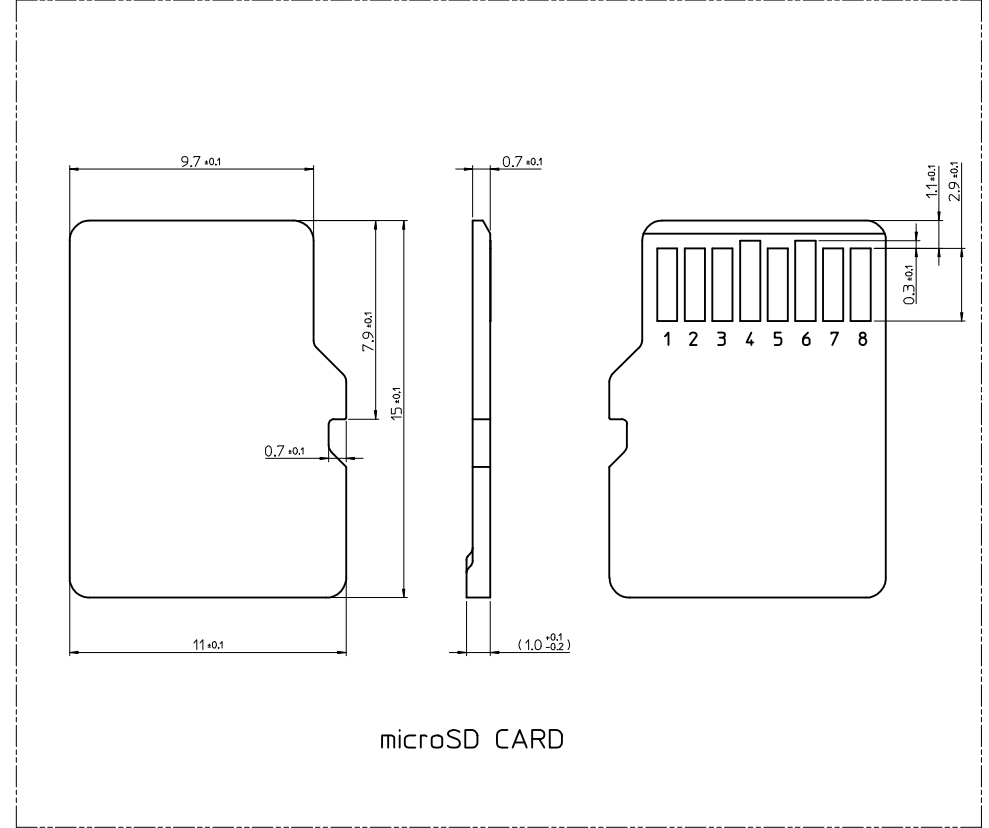
- NOTE.
1. MATERIAL: METAL(YIELD STRENGTH 300MPa MIN.)
 2. THESE DIMENSIONS ARE AFTER INSULATION COATING
 3. SURFACE ROUGHNESS OF OUTSIDE OF TRAY: Ra=1 μm MAX.
 4. TOTAL WARPAGE 0.05MAX. CAN BE MEASURED BY GO/NO GO GAUGE
 5. INSULATION COATING(HARD ANODIZING) AREA: OVERALL 20μm MIN.

SEE SHEET1 EC NO: KOR2017-0054 DRWN: ICYANG CHKD: SHCHU APPR: YSK1M02	DESCRIPTION 2017/05/19 2017/05/19 2017/05/24	QUALITY SYMBOLS	GENERAL TOLERANCES (UNLESS SPECIFIED)	DIMENSION STYLE	SCALE	DESIGN UNITS	THIRD ANGLE PROJECTION
		▽=4 ▽=3	mm INCH	MM ONLY	5/1	METRIC	☉ □
A2	REV	4 PLACES	± --- ± ---	DRAWN BY	DATE	TITLE	
		3 PLACES	± 0.12 ± ---	ICYANG	2015/06/30	MSD/NSIM HYBRID SOCKET BAR-PUSH TRAY TYPE 1.32H 8P/6P	
		2 PLACES	± 0.12 ± ---	CHECKED BY	DATE	molex	
1 PLACE	± 0.15 ± ---	SHCHU	2015/04/08	DOCUMENT NO.	SHEET NO.		
0 PLACE	± 0.15 ± ---	APPROVED BY	DATE	SEE SHEET1	SD-104258-001	3 OF 5	
		ANGULAR ± 1 °	DRAFT WHERE APPLICABLE MUST REMAIN WITHIN DIMENSIONS	MATERIAL NO.			
				SIZE	THIS DRAWING CONTAINS INFORMATION THAT IS PROPRIETARY TO MOLEX INCORPORATED AND SHOULD NOT BE USED WITHOUT WRITTEN PERMISSION		

REFERENCE CARDS DRAWING



nanoSIM CARD

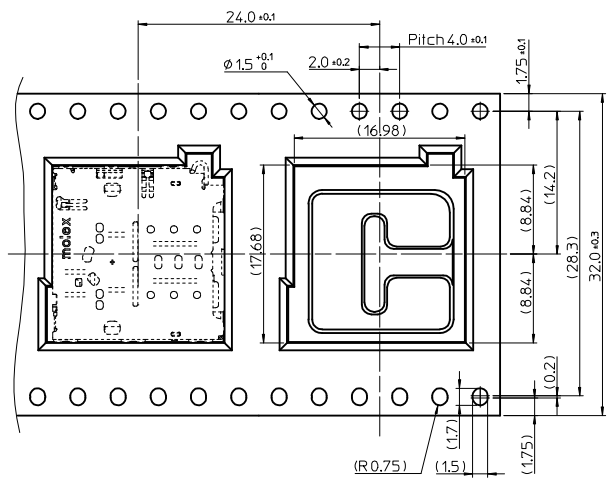
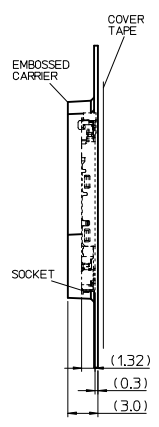


microSD CARD

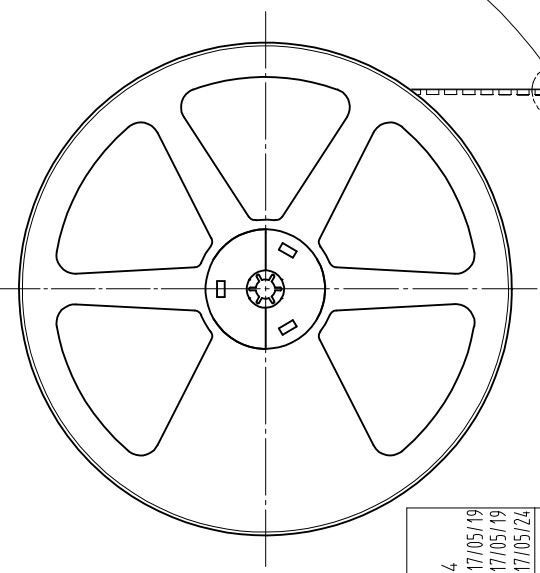
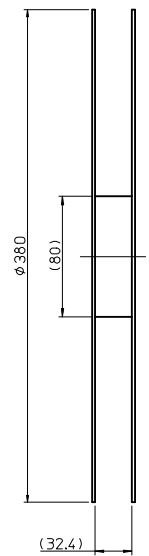
[Reference Standards]

- microSD Card Specification Addendum Version 4.00
- ETSI TS 102 221 V12.0.0, Smart Cards; UICC-Terminal interface; Physical and logical characteristics

SEE SHEET1 IEC NO: KOR2017-0054 DRWN: ICYANG CHKD: SHCHU APPR: YSKIM02	REV DESCRIPTION 2017/05/19 2017/05/19 2017/05/24	QUALITY SYMBOLS	GENERAL TOLERANCES (UNLESS SPECIFIED)		DIMENSION STYLE	SCALE	DESIGN UNITS	THIRD ANGLE PROJECTION	
		▽=0 ∇=0	mm	INCH	MM ONLY	5/1	METRIC		
			4 PLACES ± --- ± ---	DRAWN BY ICYANG	DATE 2015/04/08	TITLE MSD/NSIM HYBRID SOCKET BAR-PUSH TRAY TYPE 1.32H 8P/6P			
			3 PLACES ± 0.12 ± ---	CHECKED BY SHCHU	DATE 2015/04/08	molex			
	2 PLACES ± 0.12 ± ---	APPROVED BY YSKIM02	DATE 2015/06/30	DOCUMENT NO. SD-104258-001					
	1 PLACE ± 0.15 ± ---	ANGULAR ± 1 °		SEE SHEET1		THIS DRAWING CONTAINS INFORMATION THAT IS PROPRIETARY TO MOLEX INCORPORATED AND SHOULD NOT BE USED WITHOUT WRITTEN PERMISSION			
	0 PLACE ± 0.15 ± ---	DRAFT WHERE APPLICABLE MUST REMAIN WITHIN DIMENSIONS		SIZE A3					



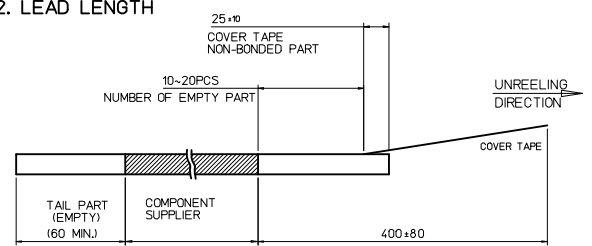
TOP VIEW OF EMBOSSED CARRIER



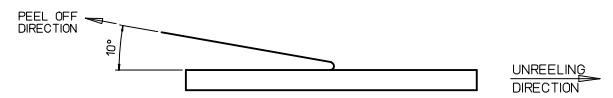
UNREELING OF PRODUCTS DIRECTION

NOTES

1. QUANTITY OF PRODUCTS : 1,200 PCS / 1 REEL
2. LEAD LENGTH



3. PEELING OFF FORCE OF COVER TAPE : 0.1N~0.59N(10.2~60gf)
(PEELING DIRECTION AS BELOW)
- PEELING OFF SPEED : 300mm/Min.(Ref.)



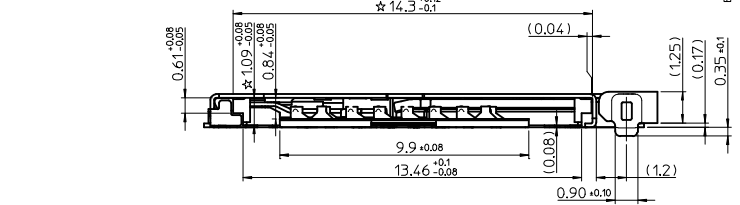
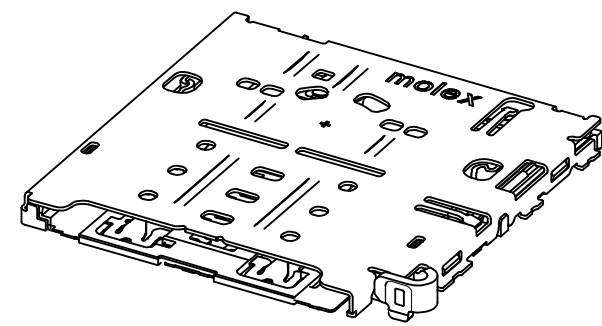
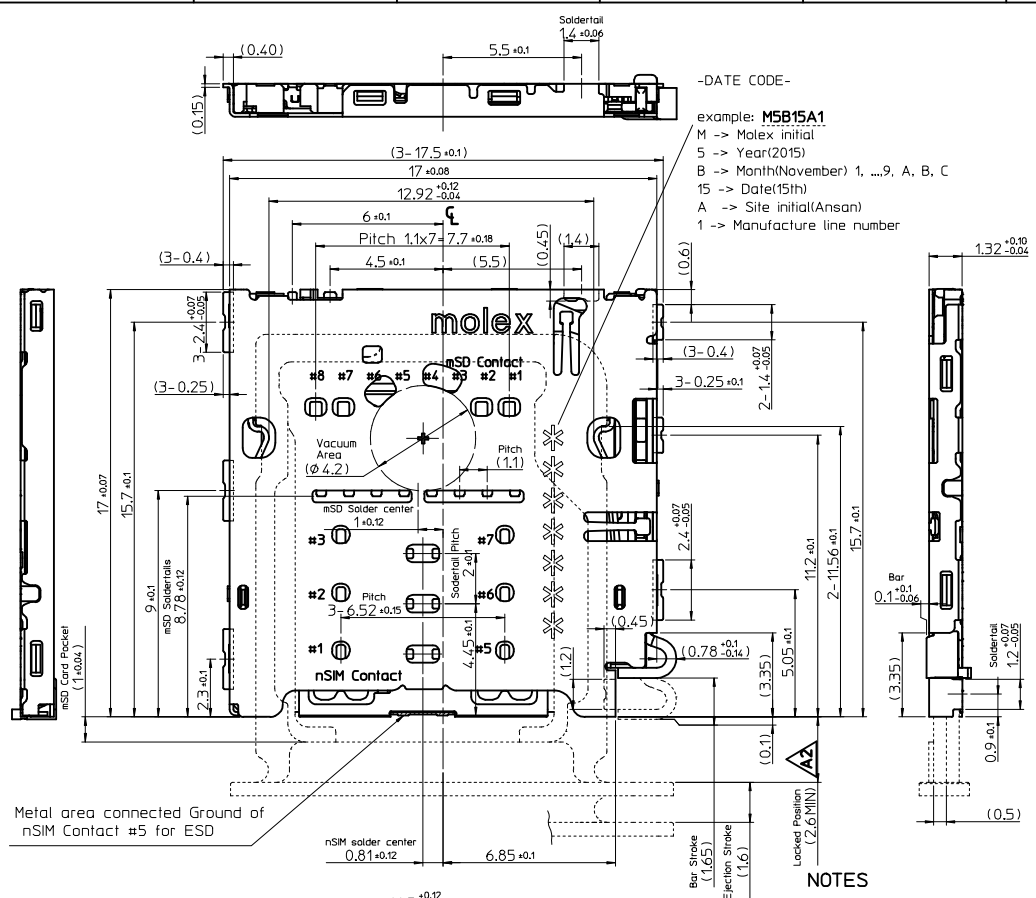
4. MATERIALS OF EMBOSSED CARRIER AND COVER TAPE :
PET(POLYETHYLEN TEREPHTHALATE)

SEE SHEET1 EC NO: KOR2017-0054 DRWN: ICYANG 2017/05/19 CHKD: SHCHU 2017/05/19 APPR: YSKIM02 2017/05/24	QUALITY SYMBOLS ▽=0 ▽=0	GENERAL TOLERANCES (UNLESS SPECIFIED)		DIMENSION STYLE MM ONLY	SCALE 2/1	DESIGN UNITS METRIC	THIRD ANGLE PROJECTION	
			mm	INCH	DRAWN BY ICYANG	DATE 2015/04/08	TITLE MSD/NSIM HYBRID SOCKET BAR-PUSH TRAY TYPE 1.32H 8P/6P	
		4 PLACES	± ---	± ---	CHECKED BY SHCHU	DATE 2015/04/08	molex	
		3 PLACES	± 0.12	± ---	APPROVED BY YSKIM02	DATE 2015/06/30		
	ANGULAR ± 1 °		MATERIAL NO. SEE SHEET1		DOCUMENT NO. SD-104258-001	SHEET NO. 5 OF 5		
A2	REV	DESCRIPTION	DRAFT WHERE APPLICABLE MUST REMAIN WITHIN DIMENSIONS		THIS DRAWING CONTAINS INFORMATION THAT IS PROPRIETARY TO MOLEX INCORPORATED AND SHOULD NOT BE USED WITHOUT WRITTEN PERMISSION			

10 9 8 7 6 5 4 3 2 1

[Circuit diagram for Detection Switch of Card Tray]

Tray insertion condition	Tray detection switch	Circuit
Without Tray	Open	
Tray inserted	Close	



NOTES

1. MATERIALS: SEE TABLE
2. FINISHES: SEE TABLE
3. MATES WITH: microSD Card or nanoSIM(UICC 4FF) Card
4. PRODUCT SPECIFICATIONS: PS-104258-001
5. PACKING SPECIFICATIONS: SPK-104258-003
6. COPLANARITY OF SOLDER TAILS: 0.08mm MAX. BEFORE & AFTER 250°C REFLOW
7. REFERENCE CARD DIMENSIONS ARE WITH STANDARD DIMENSION CARD
8. CUSTOMER'S CTF DIMENSION(*) IS EQUAL TO MOLEX MAJOR QUALITY SYMBOL(▼)

104258-1411	1042581411
PART (ORDER NO.) MATERIAL NO.	

NO.	PARTS NAME	MATERIALS	FINISHES
1	CONTACT TERMINAL(14P) SWITCH TERMINAL	COPPER ALLOY	CONTACT nSIM : GOLD 0.054µm MIN. OVER Pd-Ni 0.34µm MIN. CONTACT MSD & SWITCH : GOLD 0.054µm MIN Pd-Ni 0.21µm MIN. DETECTOR(COMMON) : GOLD 0.14µm MIN. SOLDERS : GOLD 0.034µm MIN. BASE : NICKEL 1.274µm MIN. (Pd-Ni IS PALLADIUM NICKEL)
2	COMMON (DETECTOR)	PHOSPHOR BRONZE	
3	SHELL	STAINLESS STEEL	NICKEL 1.274µm MIN.
4	HOUSING	LIQUID CRYSTAL POLYMER	BLACK COLOR, UL94V-0
5, 6	BAR, HINGE	STAINLESS STEEL	NONE
7, 8	LATCH LEFT/RIGHT	STAINLESS STEEL	NONE

REVISED (TRAY HANDLE)
 EC NO: KOR2017-0054
 2017/05/19
 DRWN: ICYANG
 CHKD: SHCHU
 2017/05/19
 APPR: YSKIM02
 2017/05/24

QUALITY SYMBOLS	GENERAL TOLERANCES (UNLESS SPECIFIED)	
	mm	INCH
▼=3	4 PLACES ± ---	± ---
▽=0	3 PLACES ± 0.12	± ---
	2 PLACES ± 0.12	± ---
	1 PLACE ± 0.15	± ---
	0 PLACE ± 0.15	± ---
	ANGULAR ± 1 °	
	DRAFT WHERE APPLICABLE MUST REMAIN WITHIN DIMENSIONS	

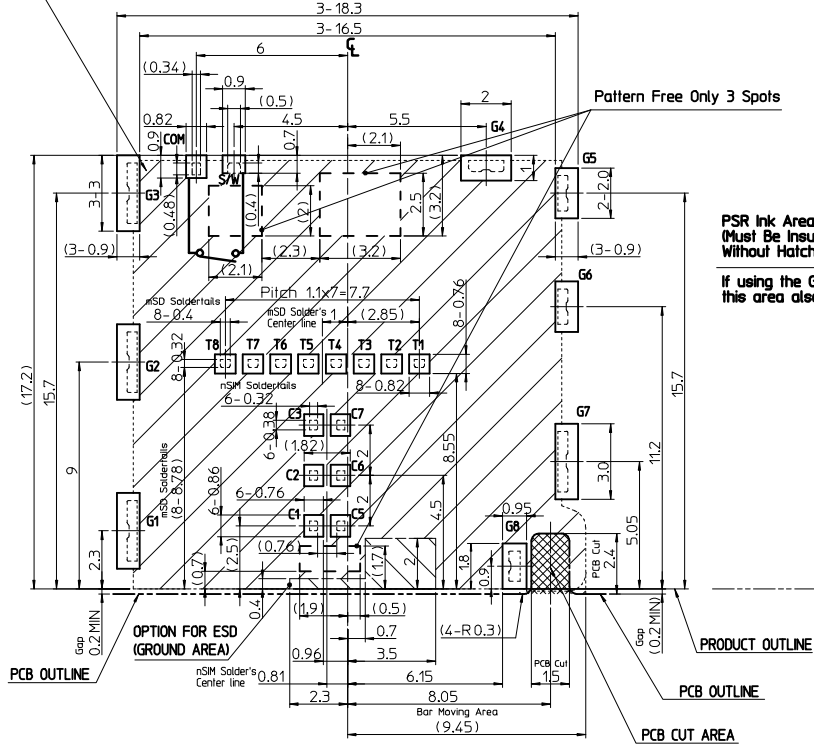
DIMENSION STYLE		SCALE	DESIGN UNITS
MM ONLY		5/1	METRIC
DRAWN BY	DATE	TITLE	
ICYANG	2015/04/08	MSD/NSIM HYBRID SOCKET BAR-PUSH TRAY TYPE 1.32H 8P/6P	
CHECKED BY	DATE	molex	
SHCHU	2015/04/08		
APPROVED BY	DATE	MATERIAL NO.	
YSKIM02	2015/06/30	SD-104258-001	
SIZE		DOCUMENT NO.	
A3		SEE TABLE	

THIRD ANGLE PROJECTION	
SHEET NO. 1 OF 5	
THIS DRAWING CONTAINS INFORMATION THAT IS PROPRIETARY TO MOLEX INCORPORATED AND SHOULD NOT BE USED WITHOUT WRITTEN PERMISSION	

9 8 7 6 5 4 3 2 1

NO TRACE/NO VIA (NO PATTERN AREA);

ALL INNER SPACES OF A SOCKET MUST BE AVOID THE PATTERN (NO TRACE/NO VIA/NO SIGNAL/NO GROUND) EXCEPT, SOLDER PATTERN AND GROUND PATTERN, SPECIALLY 3 BOXES AVAILABLE FOR FREE BECAUSE, SOCKET'S BOTTOM SURFACES ARE MADE OF METAL INCLUDING CONTACT TERMINALS'S MOVING AREA



RECOMMENDED PCB LAYOUT [FRONT VIEW]

(TOLERANCE : ±0.05)

* This product has no C4, C8 Contact terminal

[nanoSIM CARD PIN-MAP]

PIN NO.	DESCRIPTION
C1	Vcc(Supply V)
C2	RST(Reset)
C3	CLK(Clock)
(C4)	None
C5	GND(Ground)
C6	Vpp(Program V)
C7	I/O
(C8)	None

*There is only one tray insertion/removal detection switch physically.

Therefore, After tray detecting, this product is necessary to detect the SIM or SD Card separately in software.

[microSD CARD PIN-MAP]

PIN NO.	DESCRIPTION
T1	DAT2
T2	CD/DAT3 ²
T3	COM
T4	V _{DD}
T5	CLK
T6	V _{SS} (GND)
T7	DAT0
T8	DAT1

G1-G8	GROUND or NOT CONNECT
S/W	TRAY DETECTOR
COM	GND or COMMON

Hatching Areas are Pattern Prohibition (No Via/No Trace) Because of Contact terminals moving

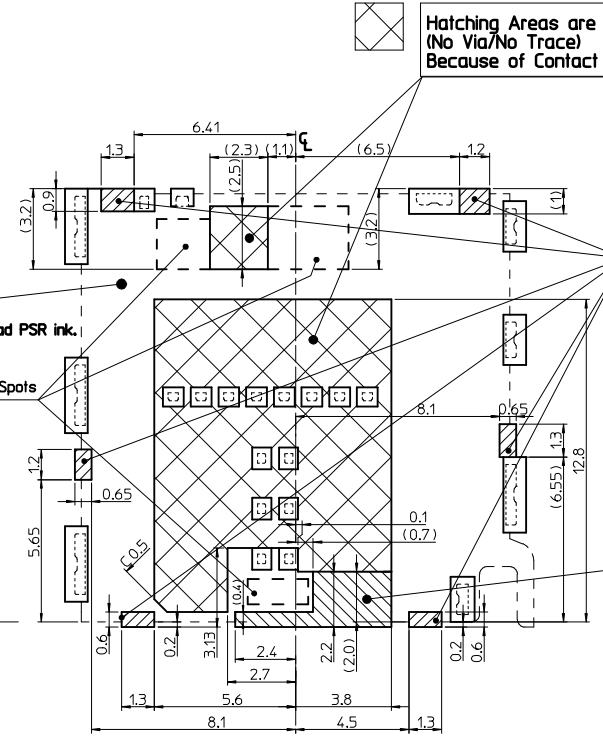
Pattern Free Only 3 Spots

PSR Ink Area (Must Be Insulation Coating) Without Hatching or Solder Area
If using the G1-G8 as Ground, this area also can be the Ground instead PSR ink.

Pattern Free Only 3 Spots

Hatching Areas are Pattern Prohibition (No Via/No Trace) If using the G1-G8 as Ground, these areas also can be as Ground instead of pattern prohibition areas.

Ground or No Pattern(No via/No trace)



SPECIAL PCB LAYOUT FOR CUSTOMER REQUEST [FRONT VIEW]

MINIMIZING THE NO(PROHIBITED) PATTERN AREA

(TOLERANCE : ±0.05)

* This product has no C4, C8 Contact terminal

[nanoSIM CARD PIN-MAP]

PIN NO.	DESCRIPTION
C1	Vcc(Supply V)
C2	RST(Reset)
C3	CLK(Clock)
(C4)	None
C5	GND(Ground)
C6	Vpp(Program V)
C7	I/O
(C8)	None

*There is only one tray insertion/removal detection switch physically.

Therefore, After tray detecting, this product is necessary to detect the SIM or SD Card separately in software.

[microSD CARD PIN-MAP]

PIN NO.	DESCRIPTION
T1	DAT2
T2	CD/DAT3 ²
T3	COM
T4	V _{DD}
T5	CLK
T6	V _{SS} (GND)
T7	DAT0
T8	DAT1

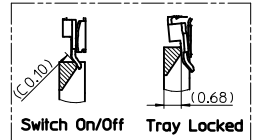
G1-G8	GROUND or NOT CONNECT
S/W	TRAY DETECTOR
COM	GND or COMMON

REV	DESCRIPTION
A2	SEE SHEET1 EC NO: KOR2017-0054 DRWN: ICYANG 2017/05/19 CHKD: SHCHU 2017/05/19 APPR: YSK1M02 2017/05/24

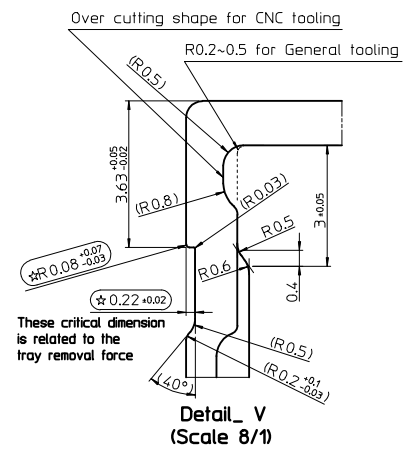
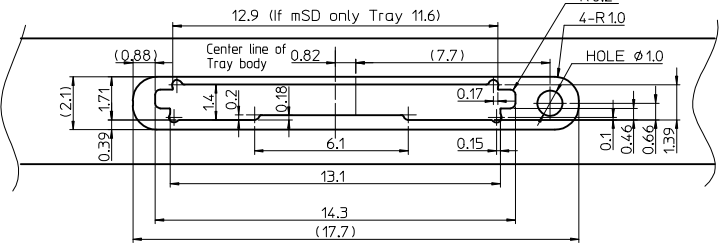
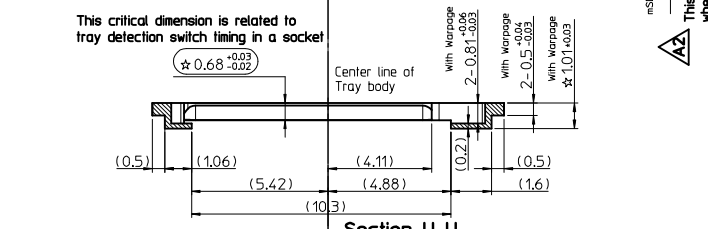
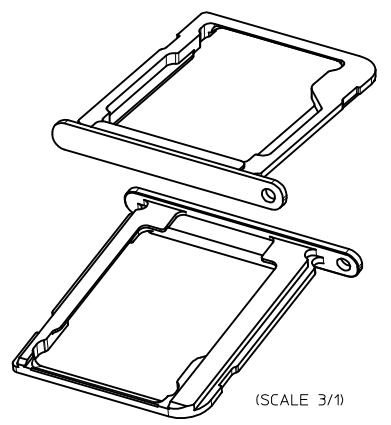
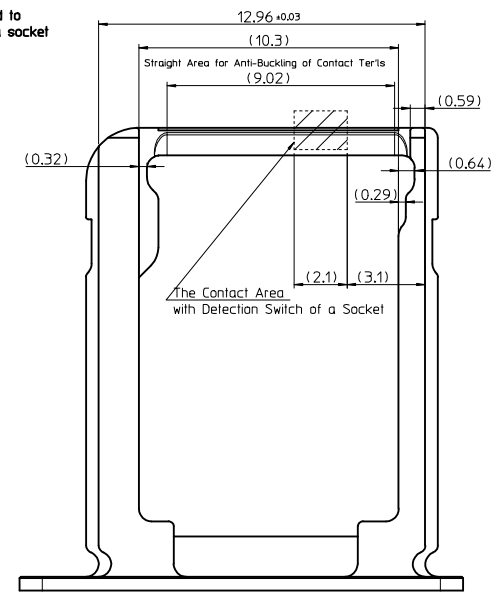
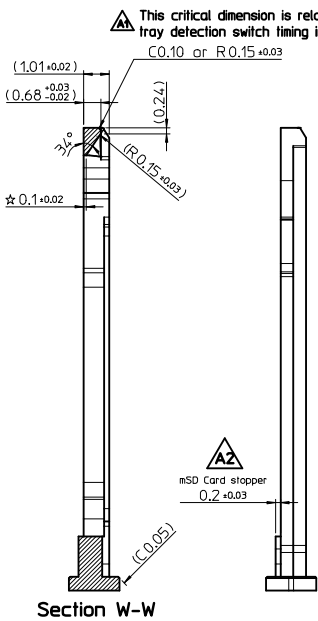
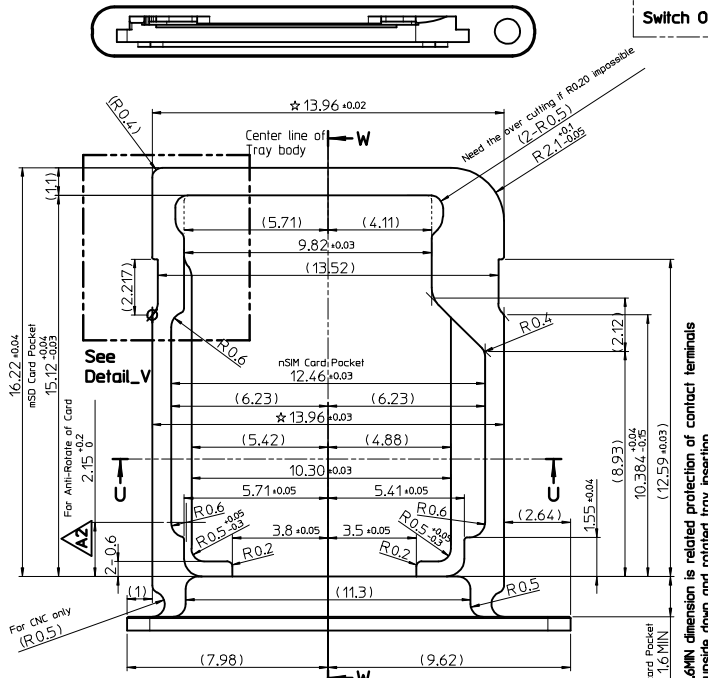
QUALITY SYMBOLS	GENERAL TOLERANCES (UNLESS SPECIFIED)	
	mm	INCH
	4 PLACES ± ---	± ---
	3 PLACES ± 0.12	± ---
	2 PLACES ± 0.12	± ---
	1 PLACE ± 0.15	± ---
	0 PLACE ± 0.15	± ---
	ANGULAR ± 1 °	
	DRAFT WHERE APPLICABLE MUST REMAIN WITHIN DIMENSIONS	

DIMENSION STYLE		SCALE	DESIGN UNITS	THIRD ANGLE PROJECTION
MM ONLY		5/1	METRIC	
DRAWN BY	DATE	TITLE		
ICYANG	2015/04/08	MSD/NSIM HYBRID SOCKET BAR-PUSH TRAY TYPE 1.32H 8P/6P		
CHECKED BY	DATE	molex		
SHCHU	2015/04/08			
APPROVED BY	DATE	DOCUMENT NO.		
YSK1M02	2015/06/30	SD-104258-001		
MATERIAL NO.	SEE SHEET1	SHEET NO.		
SIZE	A3	2 OF 5		
THIS DRAWING CONTAINS INFORMATION THAT IS PROPRIETARY TO MOLEX INCORPORATED AND SHOULD NOT BE USED WITHOUT WRITTEN PERMISSION				

REFERENCE TRAY DRAWING



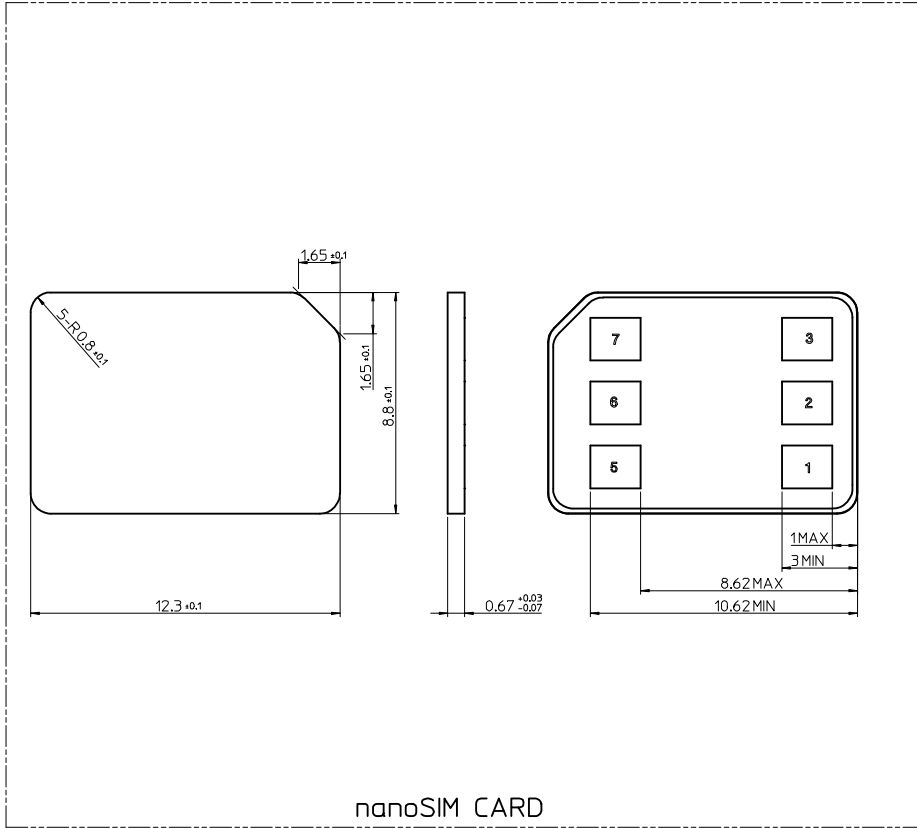
Molex shall not be responsible for any infringement to the extent such infringement is the result of (a) use of the Product(s) in combination with any other products not provided by Molex if the infringement would not have occurred but for such combination, (b) any alteration or modification of the Product(s) not undertaken or authorized by Molex if the infringement would not have occurred but for such alteration or modification, (c) Molex's compliance with Buyer's specifications if the infringement would not have occurred but for such compliance, or (d) Buyer's failure to comply with Molex's instructions regarded as necessary to render the Product(s) non-infringing if the infringement would not have occurred if Buyer would have complied with Molex's instructions.



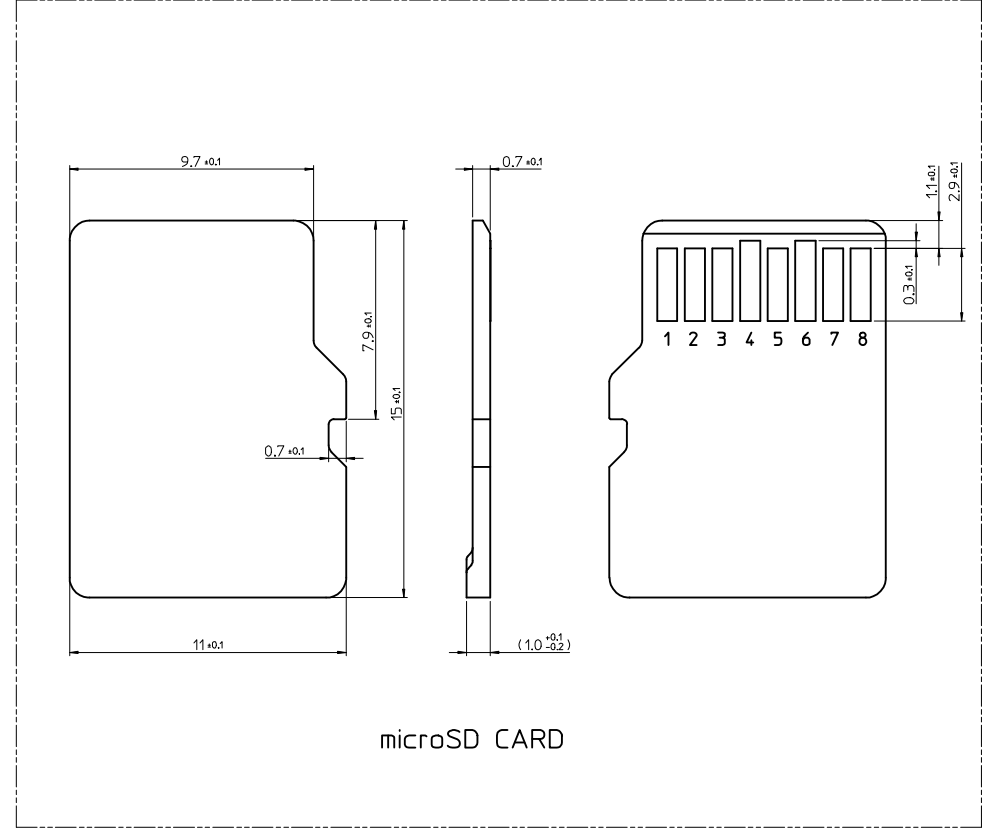
- NOTE.
1. MATERIAL: METAL(YIELD STRENGTH 300MPa MIN.)
 2. THESE DIMENSIONS ARE AFTER INSULATION COATING
 3. SURFACE ROUGHNESS OF OUTSIDE OF TRAY: Ra=1 μm MAX.
 4. TOTAL WARPAGE 0.05MAX. CAN BE MEASURED BY GO/NO GO GAUGE
 5. INSULATION COATING(HARD ANODIZING) AREA: OVERALL 20μm MIN.

SEE SHEET1 EC NO: KOR2017-0054 DRWN:ICYANG CHKD:SHCHU APPR:YSKIM02	DESCRIPTION 2017/05/19 2017/05/19 2017/05/24	QUALITY SYMBOLS	GENERAL TOLERANCES (UNLESS SPECIFIED)	DIMENSION STYLE	SCALE	DESIGN UNITS	THIRD ANGLE PROJECTION	
		▽=4 ▽=3	mm INCH	MM ONLY	5/1	METRIC	⊙ □	
		4 PLACES ± --- ± ---	DRAWN BY DATE	TITLE	MSD/NSIM HYBRID SOCKET BAR-PUSH TRAY TYPE 1.32H 8P/6P			
		3 PLACES ± 0.12 ± ---	ICYANG 2015/06/30					
2 PLACES ± 0.12 ± ---	CHECKED BY DATE		molex					
1 PLACE ± 0.15 ± ---	SHCHU 2015/04/08							
0 PLACE ± 0.15 ± ---	APPROVED BY DATE		SD-104258-001					
	YSKIM02 2015/06/30							
	MATERIAL NO.	SEE SHEET1	DOCUMENT NO.				SHEET NO.	
		SIZE	THIS DRAWING CONTAINS INFORMATION THAT IS PROPRIETARY TO MOLEX INCORPORATED AND SHOULD NOT BE USED WITHOUT WRITTEN PERMISSION				3 OF 5	

REFERENCE CARDS DRAWING



nanoSIM CARD

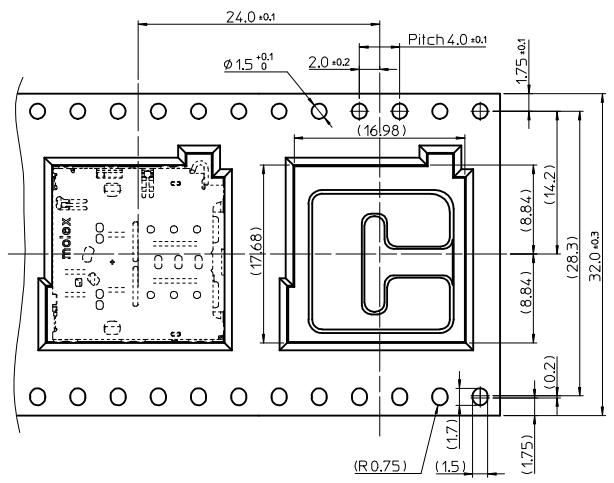
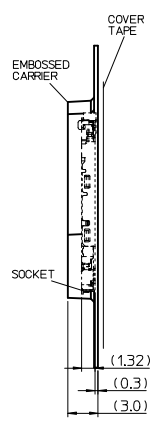


microSD CARD

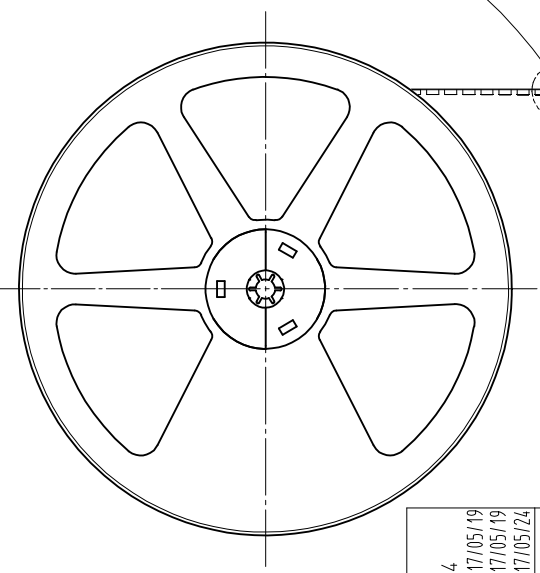
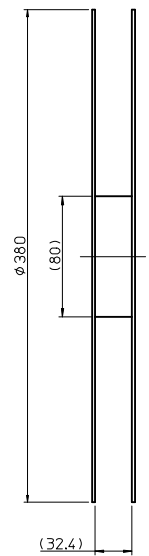
[Reference Standards]

- microSD Card Specification Addendum Version 4.00
- ETSI TS 102 221 V12.0.0, Smart Cards; UICC-Terminal interface; Physical and logical characteristics

SEE SHEET1 IEC NO: KOR2017-0054 DRWN: ICYANG CHKD: SHCHU APPR: YSKIM02	REV DESCRIPTION 2017/05/19 2017/05/19 2017/05/24	QUALITY SYMBOLS	GENERAL TOLERANCES (UNLESS SPECIFIED)		DIMENSION STYLE	SCALE	DESIGN UNITS	THIRD ANGLE PROJECTION
		▽=0 ∇=0	mm	INCH	MM ONLY	5/1	METRIC	
			4 PLACES ± --- ± ---	DRAWN BY DATE	TITLE			
			3 PLACES ± 0.12 ± ---	ICYANG 2015/04/08	MSD/NSIM HYBRID SOCKET BAR-PUSH TRAY TYPE 1.32H 8P/6P			
	2 PLACES ± 0.12 ± ---	CHECKED BY DATE						
	1 PLACE ± 0.15 ± ---	SHCHU 2015/04/08						
	0 PLACE ± 0.15 ± ---	APPROVED BY DATE						
	ANGULAR ± 1 °	YSKIM02 2015/06/30						
	DRAFT WHERE APPLICABLE MUST REMAIN WITHIN DIMENSIONS	MATERIAL NO.	SEE SHEET1	DOCUMENT NO.				
A2		SIZE	THIS DRAWING CONTAINS INFORMATION THAT IS PROPRIETARY TO MOLEX INCORPORATED AND SHOULD NOT BE USED WITHOUT WRITTEN PERMISSION	SD-104258-001				
		A3						
						SHEET NO. 4 OF 5		



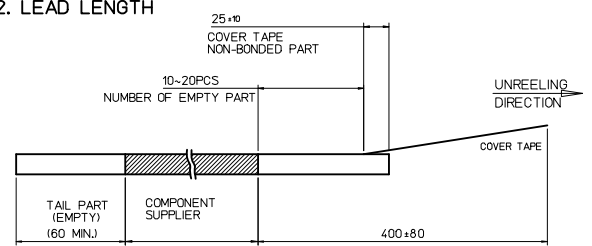
TOP VIEW OF EMBOSSED CARRIER



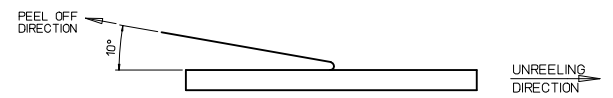
UNREELING OF PRODUCTS DIRECTION

NOTES

1. QUANTITY OF PRODUCTS : 1,200 PCS / 1 REEL
2. LEAD LENGTH



3. PEELING OFF FORCE OF COVER TAPE : 0.1N~0.59N(10.2~60gf)
(PEELING DIRECTION AS BELOW)
- PEELING OFF SPEED : 300mm/Min.(Ref.)



4. MATERIALS OF EMBOSSED CARRIER AND COVER TAPE :
PET(POLYETHYLEN TEREPHTHALATE)

SEE SHEET1 EC NO: KOR2017-0054 DRWN: ICYANG 2017/05/19 CHKD: SHCHU 2017/05/19 APPR: YSKIM02 2017/05/24	QUALITY SYMBOLS ▽=0 ▽=0	GENERAL TOLERANCES (UNLESS SPECIFIED)		DIMENSION STYLE MM ONLY	SCALE 2/1	DESIGN UNITS METRIC	THIRD ANGLE PROJECTION
		mm	INCH	DRAWN BY ICYANG	DATE 2015/04/08	TITLE MSD/NSIM HYBRID SOCKET BAR-PUSH TRAY TYPE 1.32H 8P/6P	
A2	DESCRIPTION	4 PLACES	± ---	± ---	CHECKED BY SHCHU	DATE 2015/04/08	molex
		3 PLACES	± 0.12	± ---	APPROVED BY YSKIM02	DATE 2015/06/30	
		2 PLACES	± 0.12	± ---	MATERIAL NO. SEE SHEET1		
		1 PLACE	± 0.15	± ---	DOCUMENT NO. SD-104258-001		
		0 PLACE	± 0.15	± ---	SHEET NO. 5 OF 5		
		ANGULAR ± 1 °		THIS DRAWING CONTAINS INFORMATION THAT IS PROPRIETARY TO MOLEX INCORPORATED AND SHOULD NOT BE USED WITHOUT WRITTEN PERMISSION			
		DRAFT WHERE APPLICABLE MUST REMAIN WITHIN DIMENSIONS					