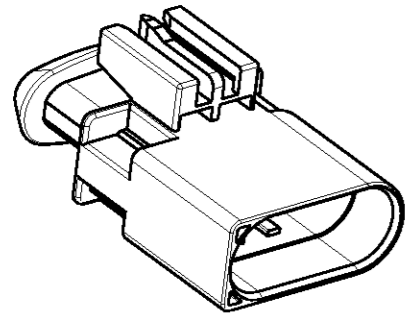
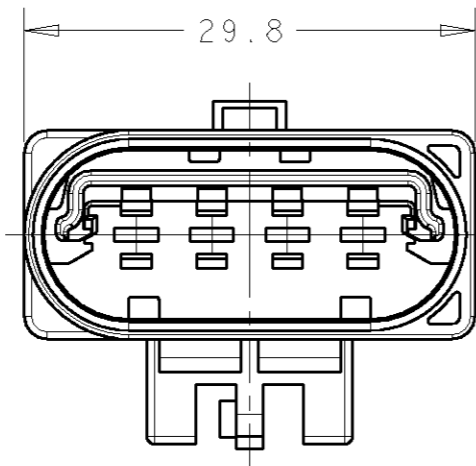


THIS DRAWING IS UNPUBLISHED. RELEASED FOR PUBLICATION 20  
 © COPYRIGHT 20 BY TYCO ELECTRONICS CORPORATION. ALL RIGHTS RESERVED.

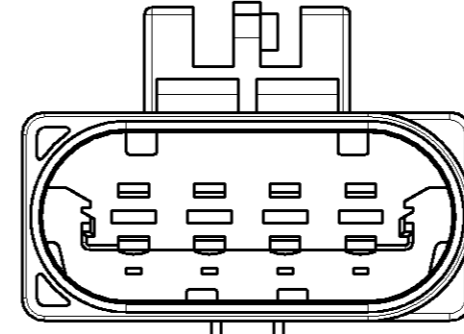
LOC	DIST	REVISIONS					
E	B	P	LTR	DESCRIPTION	DATE	DWN	APVD
		A		EBA0 0053 03	12MAY2004	JCM	BB
		B		ECR-07-017972	31JULY2007	MJH	BB



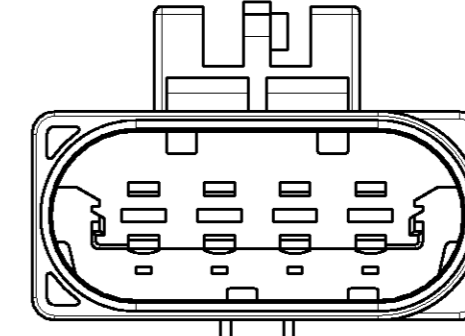
SCALE 1:1



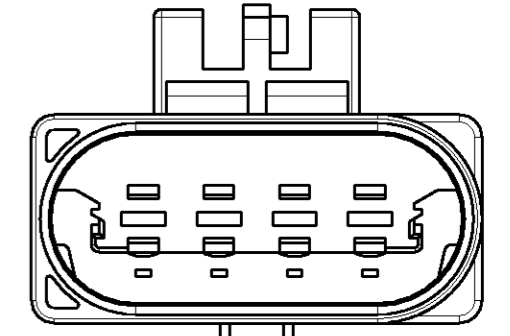
CODING OPTIONS  
 VIEWS SHOW SECONDARY LOCK OMITTED FOR CLARITY



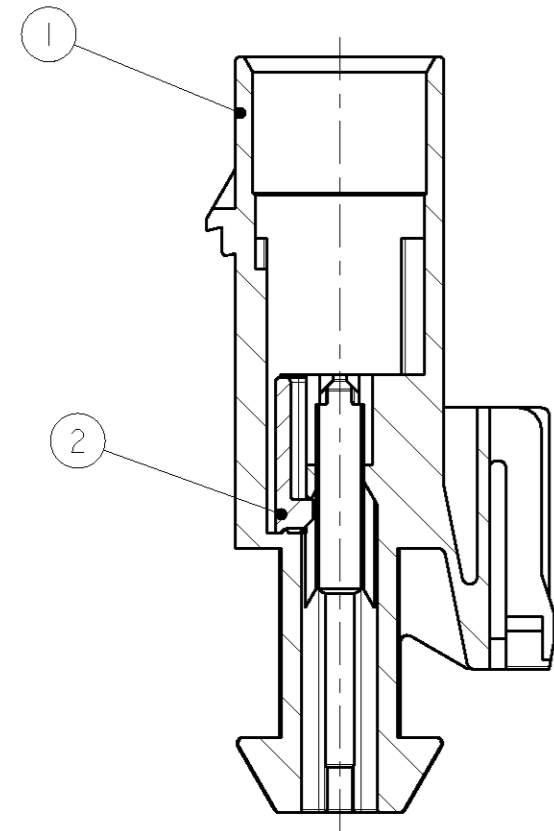
CODING A



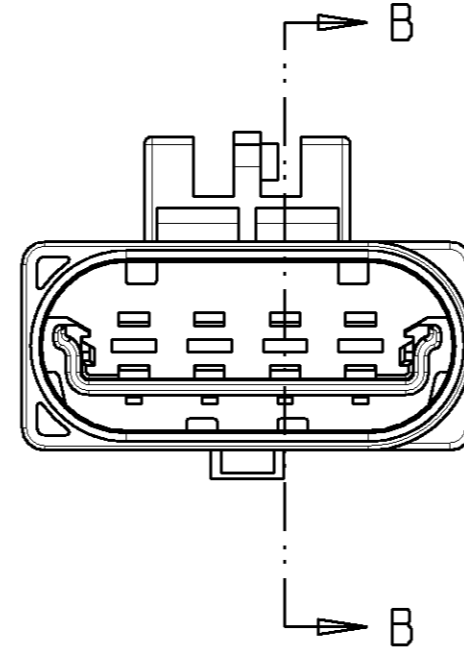
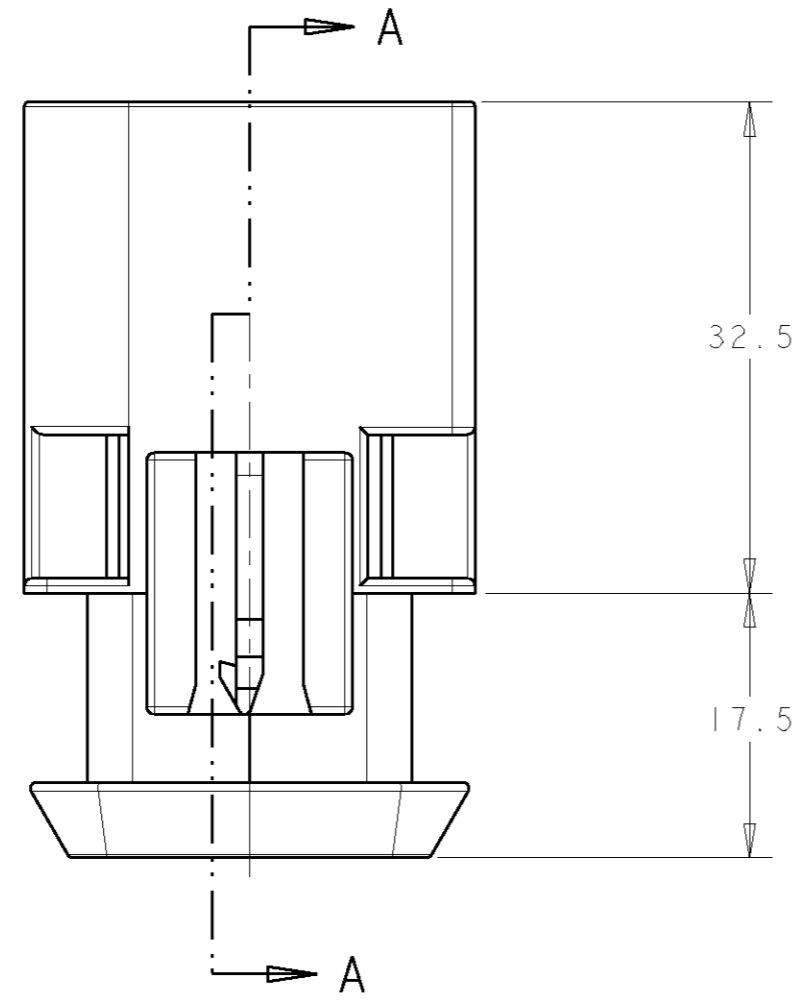
CODING B



CODING Z

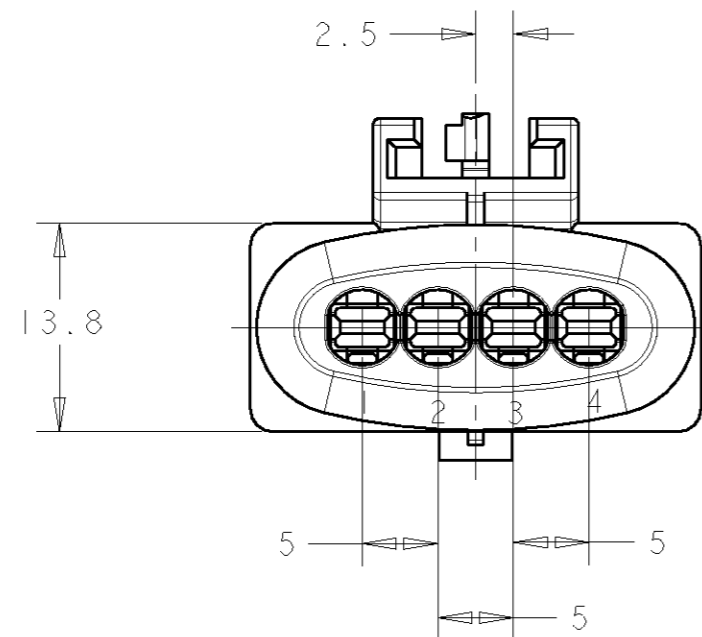


SECTION A-A



SECTION B-B

VIEWS ABOVE SHOW SECONDARY LOCK MOVED TO CLOSED POSITION, THIS IS NOT THE CONDITION OF DELIVERY.



NOTES:

- SUITABLE FOR JPT TAB CONTACT WITH SINGLE WIRE SEALING.
- PACKAGING : LOOSE PIECE

COLOUR	DESCRIPTION	POSN	CODE	PART NUMBER
WATER BLUE	SECONDARY LOCK	2	Z	9-699297-1
WATER BLUE	TAB HSG	1		
NATURAL	SECONDARY LOCK	2	B	2-699297-1
BLACK	TAB HSG	1		
BLACK	SECONDARY LOCK	2	A	1-699297-1
BLACK	TAB HSG	1		

THIS DRAWING IS A CONTROLLED DOCUMENT FOR TYCO ELECTRONICS CORPORATION IT IS SUBJECT TO CHANGE AND THE CONTROLLING ENGINEERING ORGANIZATION SHOULD BE CONTACTED FOR THE LATEST REVISION.		DWN	J. MARSH	14.11.03
DIMENSIONS:		CHK	B. B	14.11.03
mm	TOLERANCES UNLESS OTHERWISE SPECIFIED:	APVD	BB	14.11.03
	LINEAR ±0.5	PRODUCT SPEC		
	Ø PLC ±0.1	APPLICATION SPEC		
	1 PLC ±0.1			
	2 PLC ±0.05			
	3 PLC ±			
	4 PLC ±			
	ANGLES ±0.5			
	FINISH			
MATERIAL		WEIGHT	4g	
20% GF PBT		CUSTOMER DRAWING		

DWN		J. MARSH	14.11.03		Tyco Electronics UK Ltd, Stanmore, Middlesex, HA7 4RS.	
CHK	B. B	14.11.03			NAME	
APVD	BB	14.11.03		4 POSN. VDA CONNECTOR		
PRODUCT SPEC		108-3395		-		
APPLICATION SPEC		-		-		
SIZE	CAGE CODE	DRAWING NO	RESTRICTED TO			
A2	00779	C-699297	-			
SCALE		2:1	SHEET		1 OF 1	
REV		B				