

9 8 7 6 5 4 3 2 1

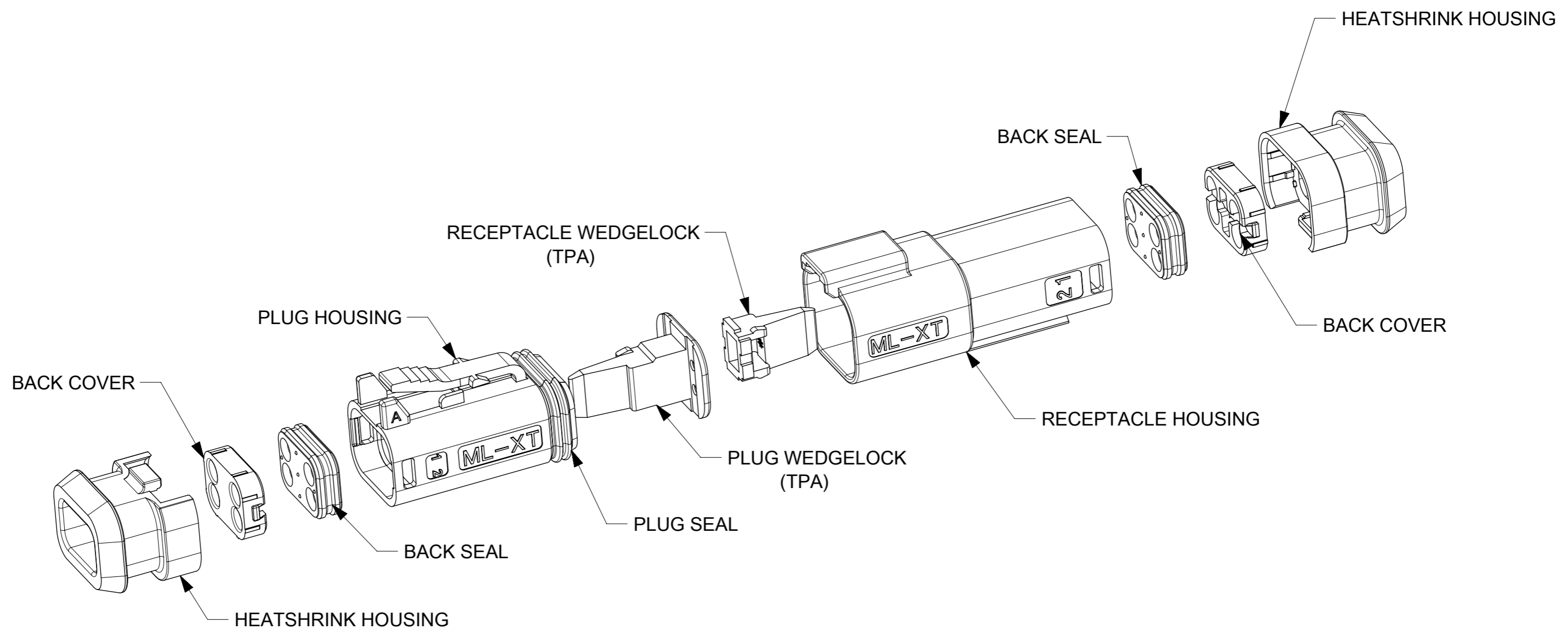
E

D

C

B

A



NOTES
 1. SEE SHEETS 2 TO 9 FOR ALL UNSPECIFIED NOTES, DIMENSIONS AND PART NUMBERS

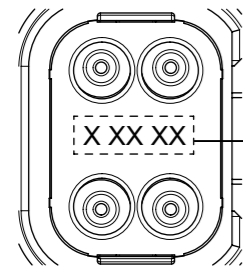
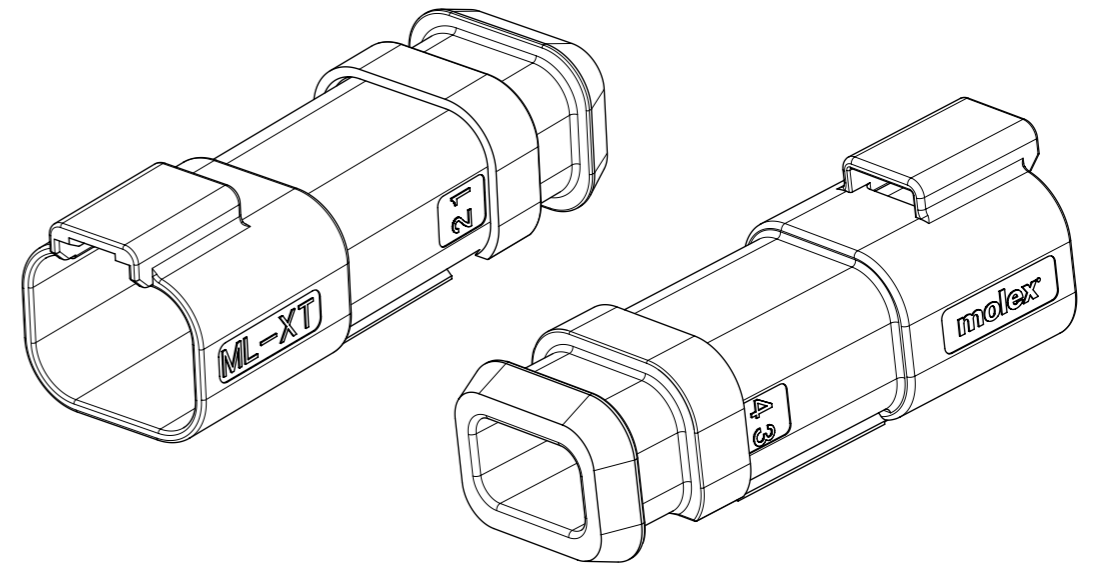
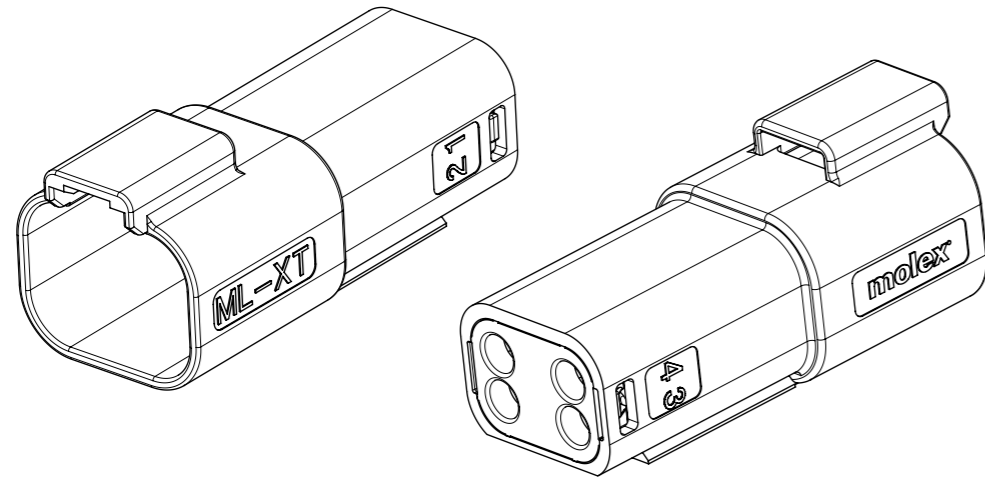
THIS DRAWING CONTAINS INFORMATION THAT IS PROPRIETARY TO MOLEX ELECTRONIC TECHNOLOGIES, LLC AND SHOULD NOT BE USED WITHOUT WRITTEN PERMISSION												
DIMENSION UNITS		SCALE		CURRENT REV DESC: SEE LONG TEXT								
mm		1.5:1		<div style="text-align: center; font-size: 24pt; font-weight: bold;">molex</div> 4CCT ML-XT CV CONNECTOR PRODUCT CUSTOMER DRAWING								
GENERAL TOLERANCES (UNLESS SPECIFIED)												
ANGULAR TOL		± 2.0°										
4 PLACES		±										
3 PLACES		±										
2 PLACES		± 0.1										
1 PLACE		± 0.2		EC NO: 605643 DRWN: MQUINN 2018/10/08 CHK'D: AJOBRIEN 2018/10/15 APPR: STGRIFFIN 2018/10/16				DOCUMENT NUMBER 934430030		DOC TYPE	DOC PART	REVISION
0 PLACES		±		INITIAL REVISION: DRWN: JFLETCHER 2015/11/02 APPR: JDWALLACE 2015/11/16				PSD	000	C1		
DRAFT WHERE APPLICABLE MUST REMAIN WITHIN DIMENSIONS				THIRD ANGLE PROJECTION		DRAWING	SERIES	MATERIAL NUMBER	CUSTOMER		SHEET NUMBER	
						A3-SIZE	93443	SEE NOTES	GENERAL MARKET		1 OF 9	

DOCUMENT STATUS	P1	RELEASE DATE	2018/10/16	13:49:31
-----------------	----	--------------	------------	----------

9 8 7 6 5 4 3 2 1

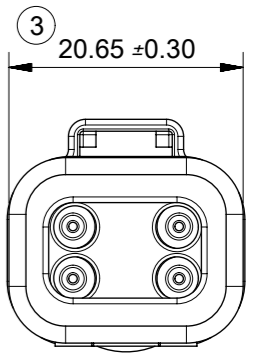
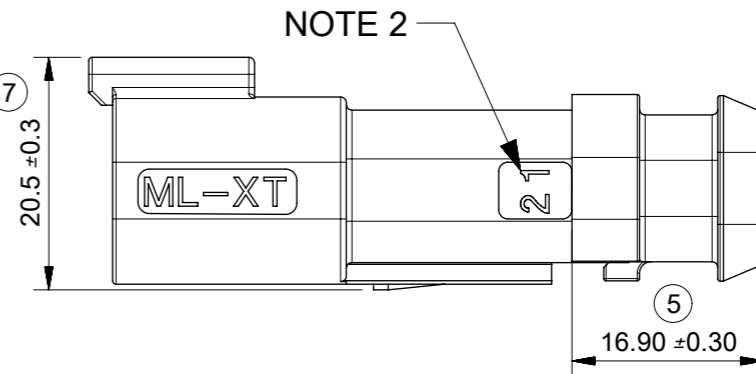
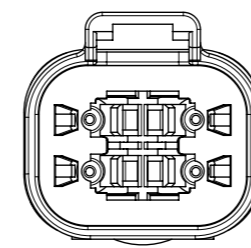
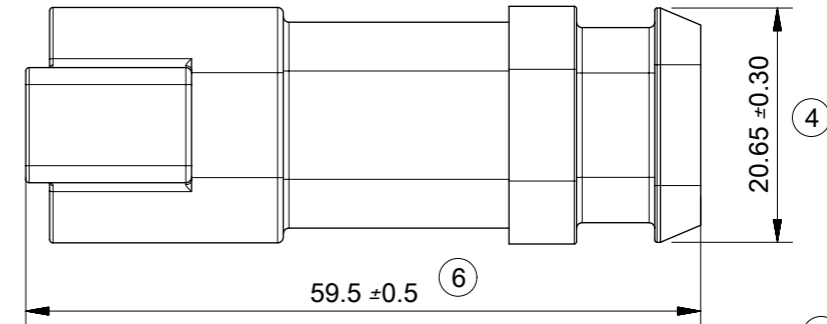
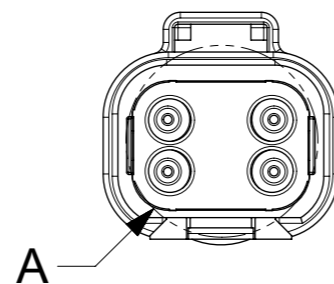
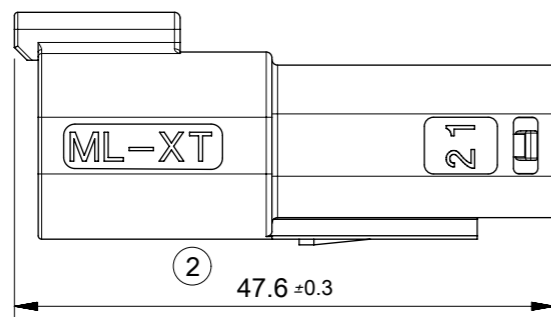
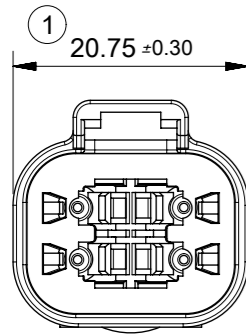
4CCT RECEPTACLE CONNECTOR

4CCT RECEPTACLE CONNECTOR WITH HEATSHRINK HOUSING ULTRASONICALLY WELDED IN PLACE



DATE CODE: X XX XX
 X — DAY: 1 - 7
 X — WEEK: 01 - 52
 X — YEAR: 00 - 99
 # — MACHINE NO. 1
 EXAMPLE: 11315 = DAY 1, WEEK 13, YEAR 15
 i.e. 23rd OF MARCH 2015

DETAIL A
 SCALE 2:1

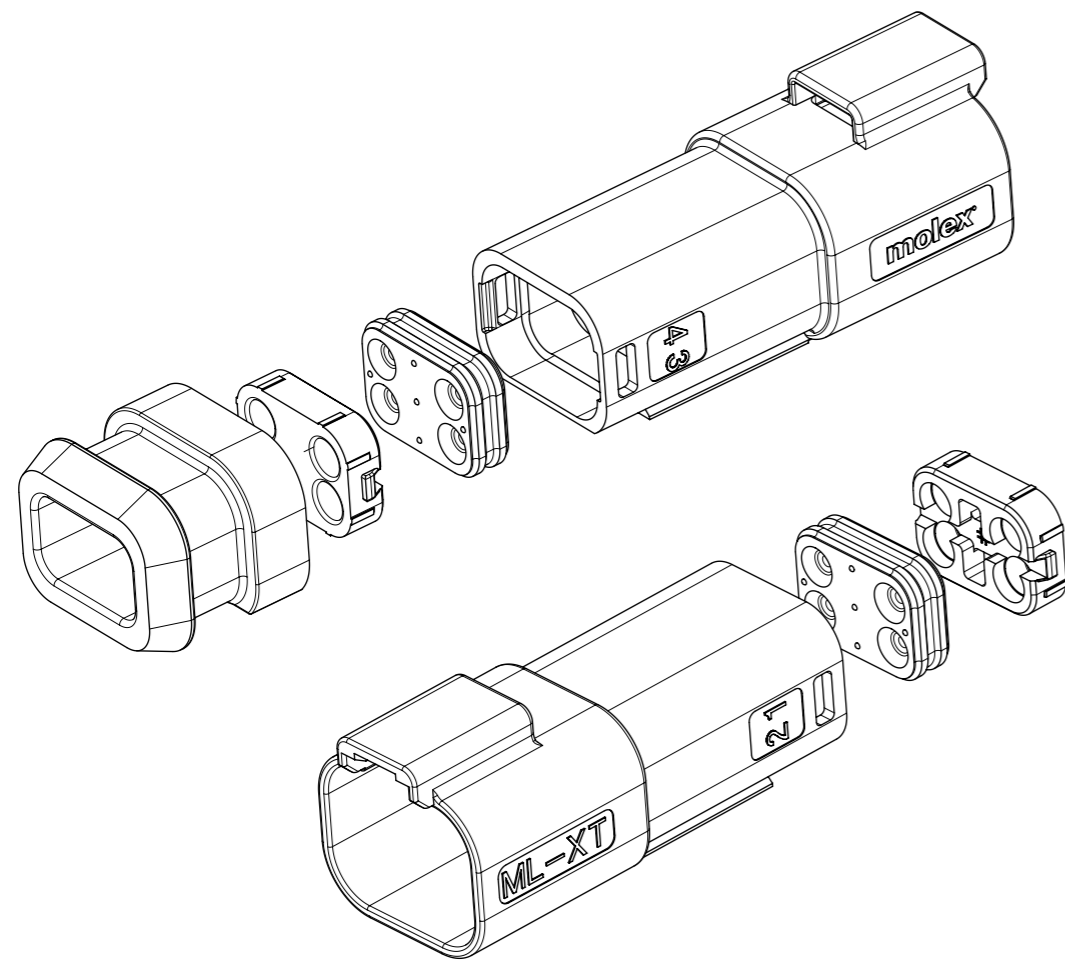


NOTE 2

1. MATERIAL
 HOUSING: NYLON 30%GF
 BACK SEAL: HIGH CONSISTENCY RUBBER
2. CIRCUIT IDENTIFICATION
3. JACKET RANGE LARGE = \varnothing 2.23MM - 3.68MM (SEAL COLOUR: LIGHT BLUE)
 JACKET RANGE SMALL = \varnothing 1.35MM - 3.05MM (SEAL COLOUR: BURNT ORANGE)
4. SEE SHEET 3 FOR FINAL PART NUMBER
5. SEE 934430010 PSP FOR PRODUCT SPECIFICATION
6. SEE 934430002 PSK FOR PACKAGING SPECIFICATION

INSPECTION NUMBERS 1 - 50 RESERVED FOR SHEET 2
 LAST INSPECTION NO. 7

THIS DRAWING CONTAINS INFORMATION THAT IS PROPRIETARY TO MOLEX ELECTRONIC TECHNOLOGIES, LLC AND SHOULD NOT BE USED WITHOUT WRITTEN PERMISSION		CURRENT REV DESC: SEE LONG TEXT		molex	
DIMENSION UNITS	SCALE				
mm	1.5:1			PRODUCT CUSTOMER DRAWING	
GENERAL TOLERANCES (UNLESS SPECIFIED)		EC NO: 605643		DOCUMENT NUMBER	
ANGULAR TOL ± 2.0°		DRWN: MQUINN 2018/10/08		934430030	
4 PLACES ±		CHK'D: AJOBRIEN 2018/10/15		DOC TYPE DOC PART REVISION	
3 PLACES ±		APPR: STGRIFFIN 2018/10/16		PSD 000 C1	
2 PLACES ± 0.1		INITIAL REVISION:		MATERIAL NUMBER	
1 PLACE ± 0.2		DRWN: JFLETCHER 2015/11/02		CUSTOMER	
0 PLACES ±		APPR: JDWALLACE 2015/11/16		GENERAL MARKET	
DRAFT WHERE APPLICABLE MUST REMAIN WITHIN DIMENSIONS		THIRD ANGLE PROJECTION	DRAWING	SERIES	SHEET NUMBER
			A3-SIZE	93443	2 OF 9



4CCT RECEPTACLE CONNECTOR

SERIES No. 93444

CIRCUIT SIZE
3 = 4CCT

ASSEMBLY OPTIONS:
 1 = RECEP ASSEMBLY FOR WIRE JACKET RANGE: Ø1.35mm - 3.05mm (NOTE 2)
 2 = RECEP ASSEMBLY FOR WIRE JACKET RANGE: Ø2.23mm - 3.68mm (NOTE 2)
 5 = RECEP ASSEMBLY & HEATSHRINK FOR WIRE JACKET RANGE: Ø1.35mm - 3.05mm (NOTE 3)
 6 = RECEP ASSEMBLY & HEATSHRINK FOR WIRE JACKET RANGE: Ø2.23mm - 3.68mm (NOTE 3)

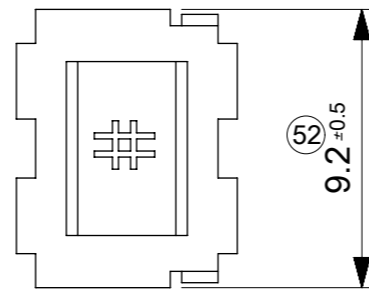
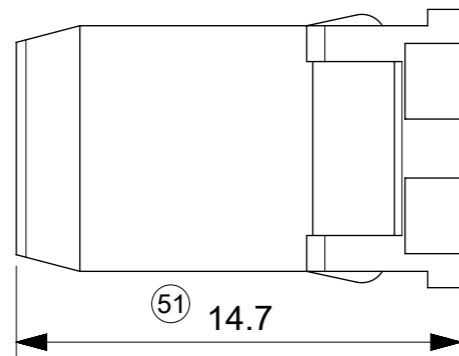
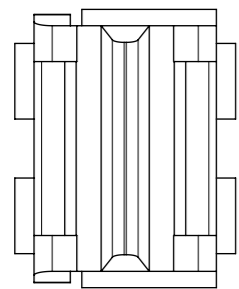
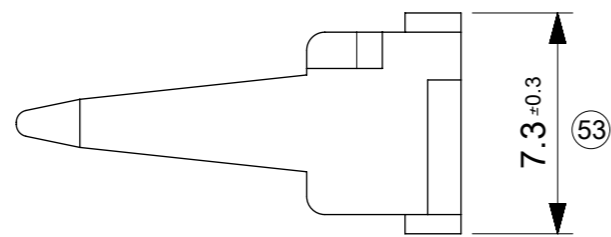
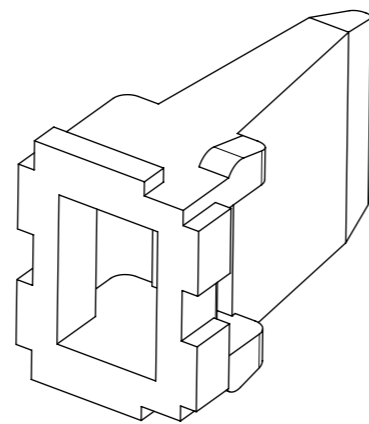
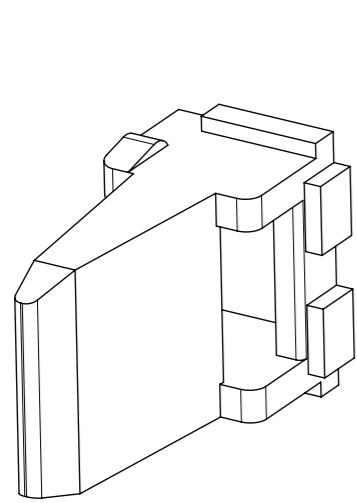
COLOUR

01=BLACK	06 = WHITE
02=GREY	07 = BROWN
03=GREEN	08 = ORANGE
04=BLUE	09 = RED
05=YELLOW	

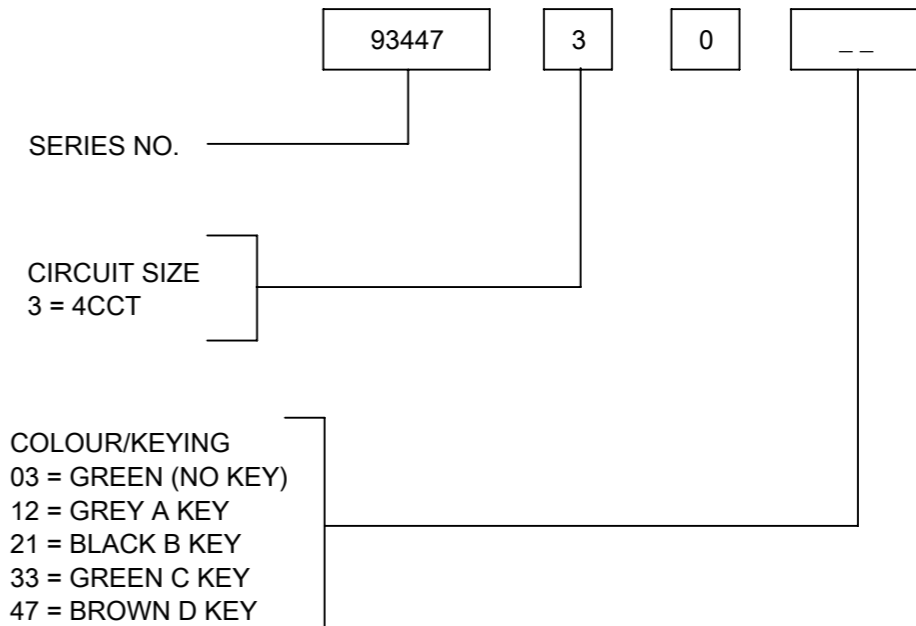
EXAMPLE:
4cct RECEP BLACK WITH LARGE SEAL AND HEATSHRINK = 93444-3601

- NOTES**
- SEE SHEET 2 FOR UNSPECIFIED NOTES AND DIMENSIONS
 - BACK COVER COLOUR BLACK
 - HEATSHRINK COLOUR BLACK

THIS DRAWING CONTAINS INFORMATION THAT IS PROPRIETARY TO MOLEX ELECTRONIC TECHNOLOGIES, LLC AND SHOULD NOT BE USED WITHOUT WRITTEN PERMISSION										
DIMENSION UNITS	SCALE	CURRENT REV DESC: SEE LONG TEXT					molex			
mm	1:1									
GENERAL TOLERANCES (UNLESS SPECIFIED)		EC NO: 605643					4CCT ML-XT CV CONNECTOR			
ANGULAR TOL	± 2.0 °	DRWN: MQUINN 2018/10/08					PRODUCT CUSTOMER DRAWING			
4 PLACES	±	CHK'D: AJOBRIEN 2018/10/15					DOCUMENT NUMBER			
3 PLACES	±	APPR: STGRIFFIN 2018/10/16					934430030			
2 PLACES	± 0.1	INITIAL REVISION:					DOC TYPE			
1 PLACE	± 0.2	DRWN: JFLETCHER 2015/11/02					PSD			
0 PLACES	±	APPR: JDWALLACE 2015/11/16					DOC PART			
DRAFT WHERE APPLICABLE MUST REMAIN WITHIN DIMENSIONS		THIRD ANGLE PROJECTION		DRAWING	SERIES	MATERIAL NUMBER	CUSTOMER	REVISION		
				A3-SIZE	93443	SEE NOTES	GENERAL MARKET	000 C1		
								3 OF 9		



4CCT RECEP. WEDGELOCK



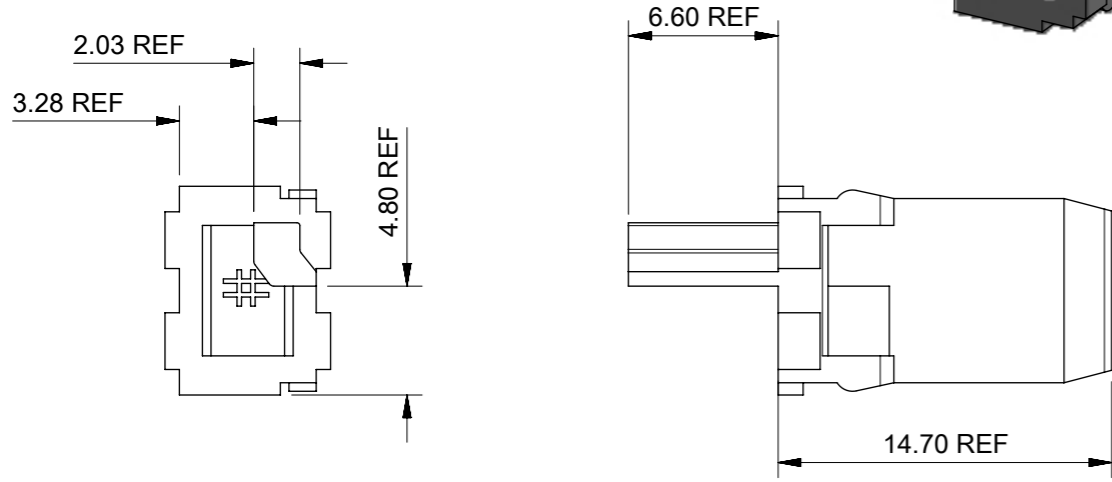
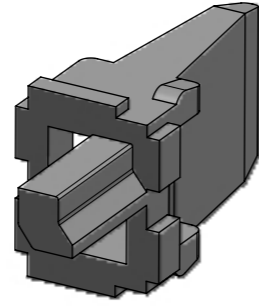
NOTES

- 1. MATERIAL NYLON 30%GF
- 2. PART NUMBER 934473003 SHOWN

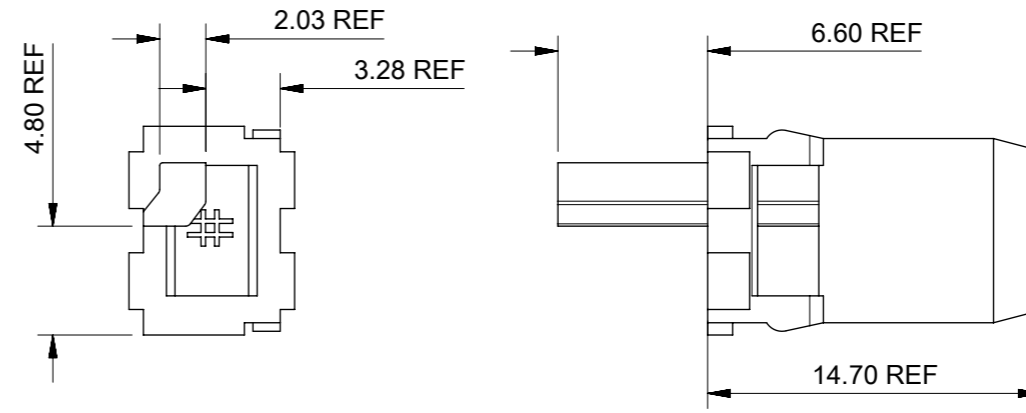
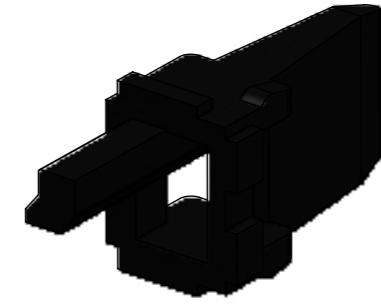
INSPECTION NUMBERS 51-100 RESERVED FOR SHEET 4
 LAST INSPECTION NUMBER 53

THIS DRAWING CONTAINS INFORMATION THAT IS PROPRIETARY TO MOLEX ELECTRONIC TECHNOLOGIES, LLC AND SHOULD NOT BE USED WITHOUT WRITTEN PERMISSION											
DIMENSION UNITS		SCALE		CURRENT REV DESC: SEE LONG TEXT							
mm		1.5:1									
GENERAL TOLERANCES (UNLESS SPECIFIED)				EC NO: 605643						4CCT ML-XT CV CONNECTOR	
ANGULAR TOL ± 2.0°				DRWN: MQUINN 2018/10/08						PRODUCT CUSTOMER DRAWING	
4 PLACES ±				CHK'D: AJOBRIEN 2018/10/15						DOCUMENT NUMBER	
3 PLACES ±				APPR: STGRIFFIN 2018/10/16						934430030	
2 PLACES ± 0.1				INITIAL REVISION:						DOC TYPE	
1 PLACE ± 0.2				DRWN: JFLETCHER 2015/11/02						PSD	
0 PLACES ±				APPR: JDWALLACE 2015/11/16						DOC PART	
DRAFT WHERE APPLICABLE MUST REMAIN WITHIN DIMENSIONS				THIRD ANGLE PROJECTION		DRAWING		SERIES		REVISION	
						A3-SIZE		93443		C1	
				MATERIAL NUMBER		CUSTOMER		SHEET NUMBER			
				SEE NOTES		GENERAL MARKET		4 OF 9			

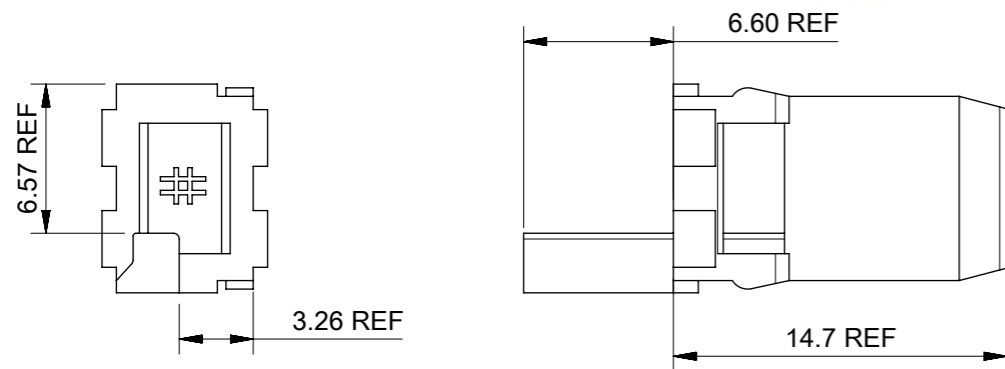
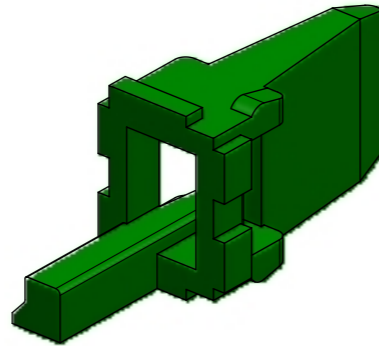
934473012 (KEY A)
COLOUR GREY



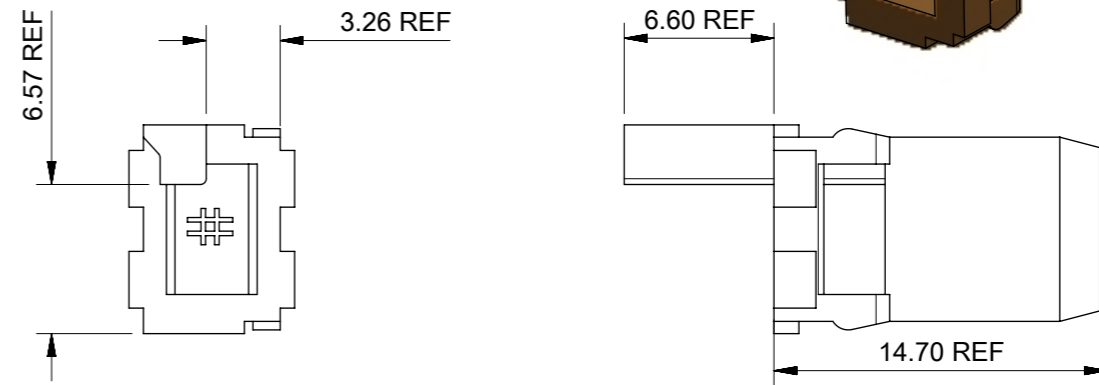
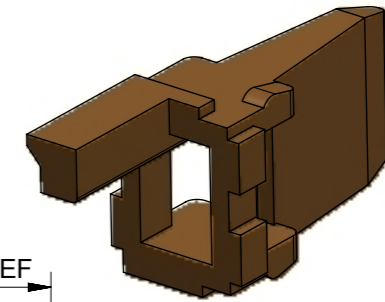
934473021 (KEY B)
COLOUR BLACK



934473033 (KEY C)
COLOUR GREEN



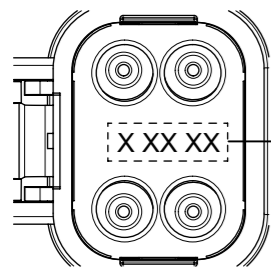
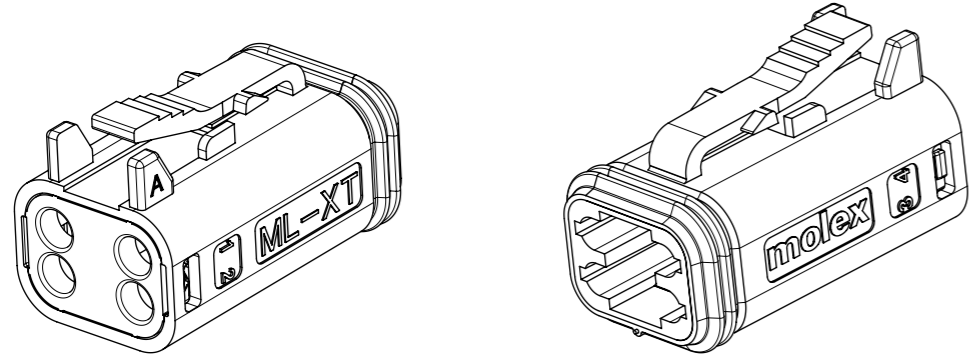
934473047 (KEY D)
COLOUR BROWN



NOTES:
1. MATERIAL PA66 30%GF
2. SEE SHEET 4 FOR UNSPECIFIED NOTES & DIMENSIONS

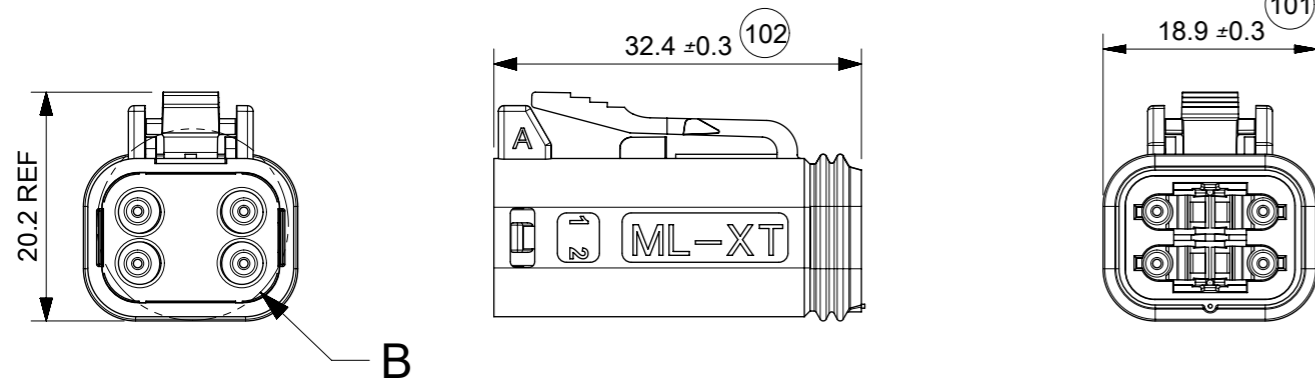
THIS DRAWING CONTAINS INFORMATION THAT IS PROPRIETARY TO MOLEX ELECTRONIC TECHNOLOGIES, LLC AND SHOULD NOT BE USED WITHOUT WRITTEN PERMISSION									
DIMENSION UNITS		SCALE		CURRENT REV DESC: SEE LONG TEXT					
mm		3:1		<div style="text-align: center;">molex</div> <p>4CCT ML-XT CV CONNECTOR</p> <p>PRODUCT CUSTOMER DRAWING</p>					
GENERAL TOLERANCES (UNLESS SPECIFIED)									
ANGULAR TOL		± 2.0 °							
4 PLACES		±							
3 PLACES		±							
2 PLACES		± 0.1							
1 PLACE		± 0.2		EC NO: 605643		2018/10/08		DRWN: MQUINN	
0 PLACES		±		CHK'D: AJOBRIEN		2018/10/15		APPR: STGRIFFIN	
DRAFT WHERE APPLICABLE MUST REMAIN WITHIN DIMENSIONS		THIRD ANGLE PROJECTION		DRAWING		SERIES		MATERIAL NUMBER	
				A3-SIZE		93443		934430030	
				SEE NOTES		GENERAL MARKET		5 OF 9	

4CCT PLUG CONNECTOR



DETAIL B
SCALE 2:1

DATE CODE: X XX XX
 X— DAY: 1- 7
 X — WEEK: 01 - 52
 X — YEAR: 00 - 99
 # — MACHINE NO. 1
 EXAMPLE: 11315 = DAY 1, WEEK 13, YEAR 15
 i.e. 23rd OF MARCH 2015

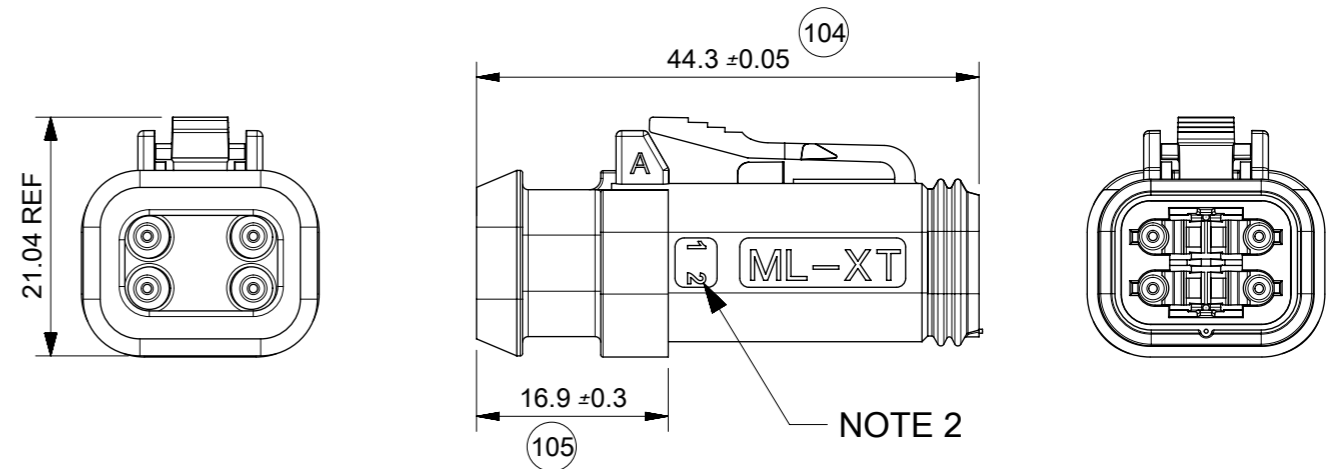
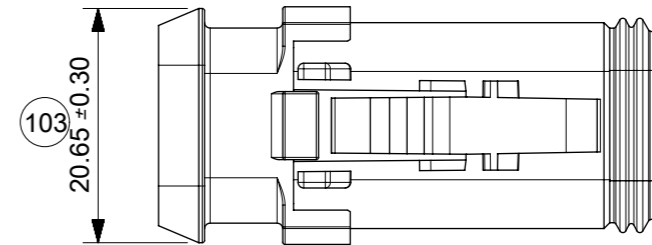
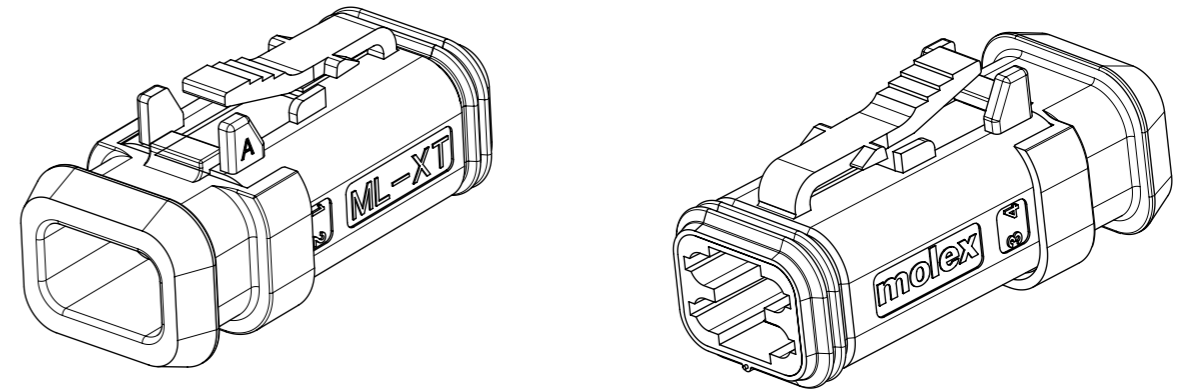


- NOTES
- MATERIAL:
 HOUSING: NYLON 30% GF
 PLUG SEAL: SILICONE RUBBER
 BACK SEAL: HIGH CONSISTENCY RUBBER
 - CIRCUIT IDENTIFICATION
 - JACKET RANGE LARGE = \varnothing 2.23MM - 3.68MM (SEAL COLOUR: LIGHT BLUE)
 JACKET RANGE SMALL = \varnothing 1.35MM - 3.05MM (SEAL COLOUR: BURNT ORANGE)
 - SEE SHEET 7 FOR FINAL PART NUMBER DESIGNATION

INSPECTION NUMBERS 101-150 RESERVED FOR SHEET 6
 LAST INSPECTION NUMBER 105

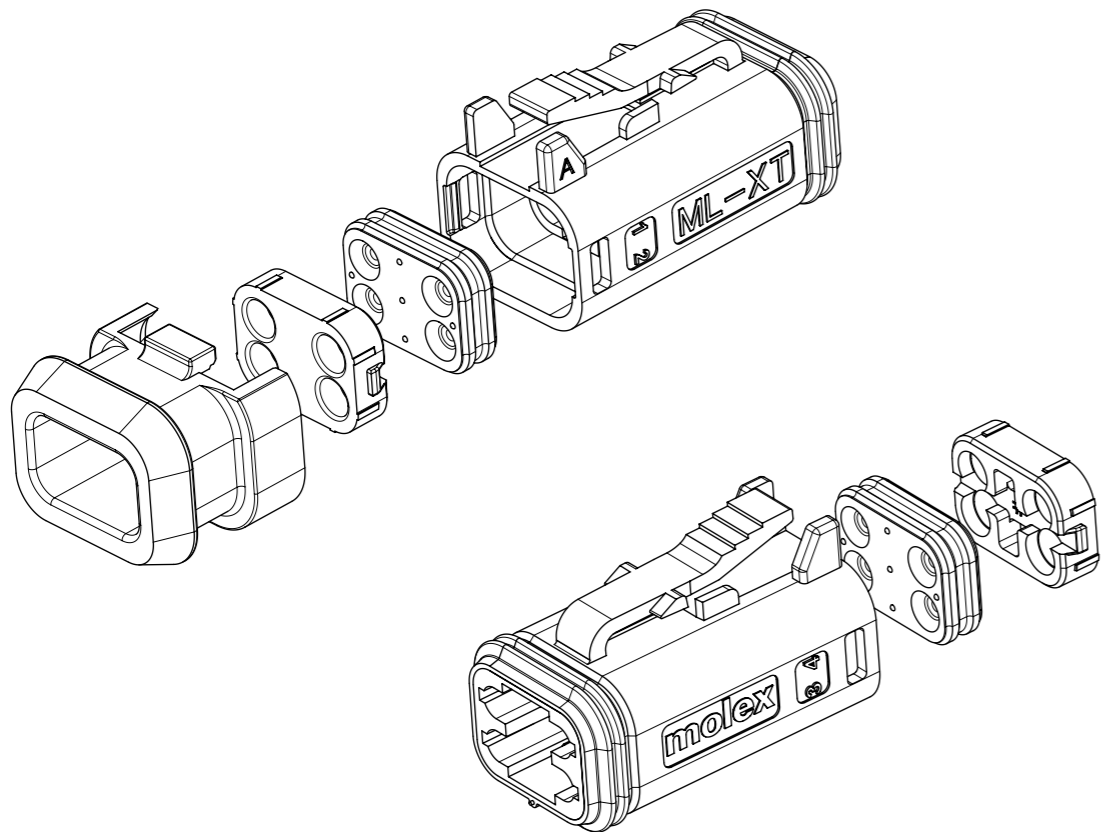
DOCUMENT STATUS	P1	RELEASE DATE	2018/10/16	13:49:31
-----------------	----	--------------	------------	----------

4CCT PLUG CONNECTOR WITH
HEATSHRINK HOUSING ULTRASONICALLY
WELDED IN PLACE



THIS DRAWING CONTAINS INFORMATION THAT IS PROPRIETARY TO MOLEX ELECTRONIC TECHNOLOGIES, LLC AND SHOULD NOT BE USED WITHOUT WRITTEN PERMISSION									
DIMENSION UNITS	SCALE	CURRENT REV DESC: SEE LONG TEXT							
mm	1:1								
GENERAL TOLERANCES (UNLESS SPECIFIED)									
ANGULAR TOL	± 2.0°	4CCT ML-XT CV CONNECTOR							
4 PLACES	±	PRODUCT CUSTOMER DRAWING							
3 PLACES	±	DOCUMENT NUMBER							
2 PLACES	± 0.1	934430030							
1 PLACE	± 0.2	DOC TYPE							
0 PLACES	±	PSD							
DRAFT WHERE APPLICABLE MUST REMAIN WITHIN DIMENSIONS		THIRD ANGLE PROJECTION		DRAWING	SERIES	MATERIAL NUMBER	CUSTOMER	DOC PART	REVISION
				A3-SIZE	93443	SEE NOTES	GENERAL MARKET	000	C1
									SHEET NUMBER
									6 OF 9

9	8	7	6	5	4	3	2	1
---	---	---	---	---	---	---	---	---



4CCT PLUG CONNECTOR

93445 3 - --

SERIES No. _____

CIRCUIT SIZE
3 = 4CCT

ASSEMBLY OPTIONS:

- 1 = PLUG ASSEMBLY FOR WIRE JACKET RANGE: \varnothing 1.35mm - 3.05mm (NOTE 2)
- 2 = PLUG ASSEMBLY FOR WIRE JACKET RANGE: \varnothing 2.23mm - 3.68mm (NOTE 2)
- 5 = PLUG ASSEMBLY & HEATSHRINK FOR WIRE JACKET RANGE: \varnothing 1.35mm - 3.05mm (NOTE 3)
- 6 = PLUG ASSEMBLY & HEATSHRINK FOR WIRE JACKET RANGE: \varnothing 2.23mm - 3.68mm (NOTE 3)

COLOUR

- 01=BLACK 06 = WHITE
- 02=GREY 07 = BROWN
- 03=GREEN 08 = ORANGE
- 04=BLUE 09 = RED
- 05=YELLOW

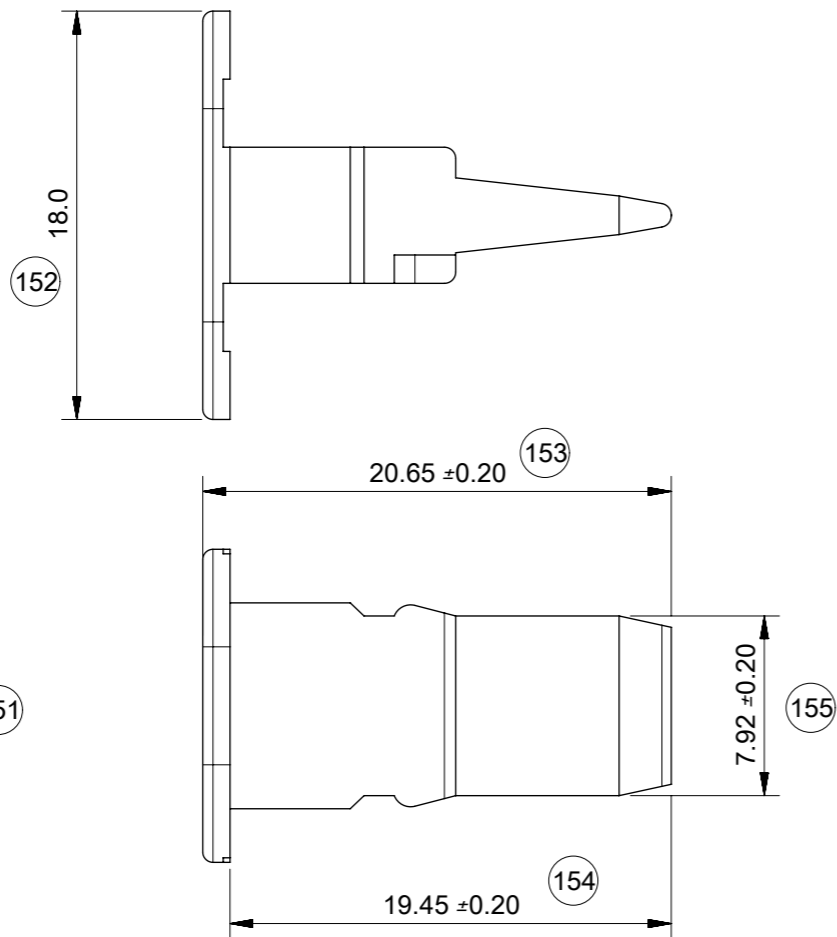
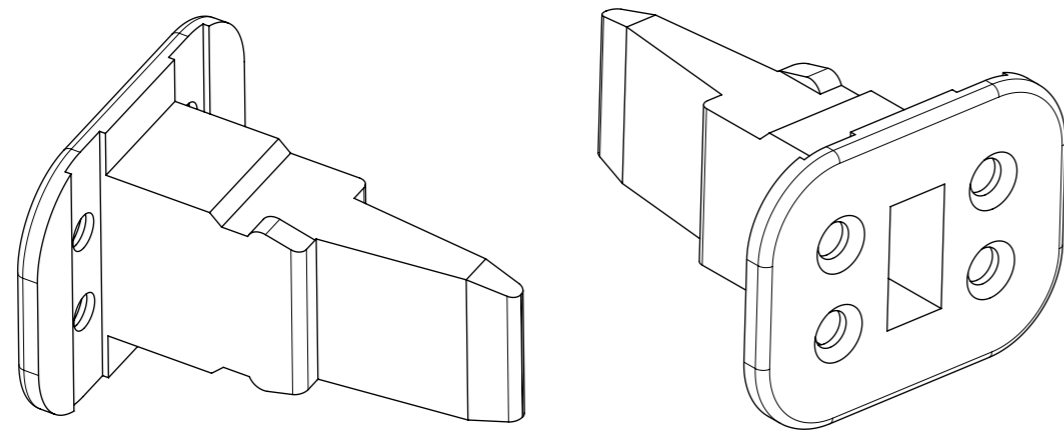
EXAMPLE:

4cct PLUG BLACK WITH LARGE SEAL AND HEATSHRINK = 93444-3601

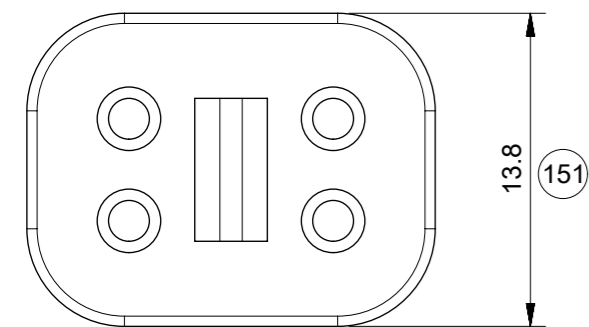
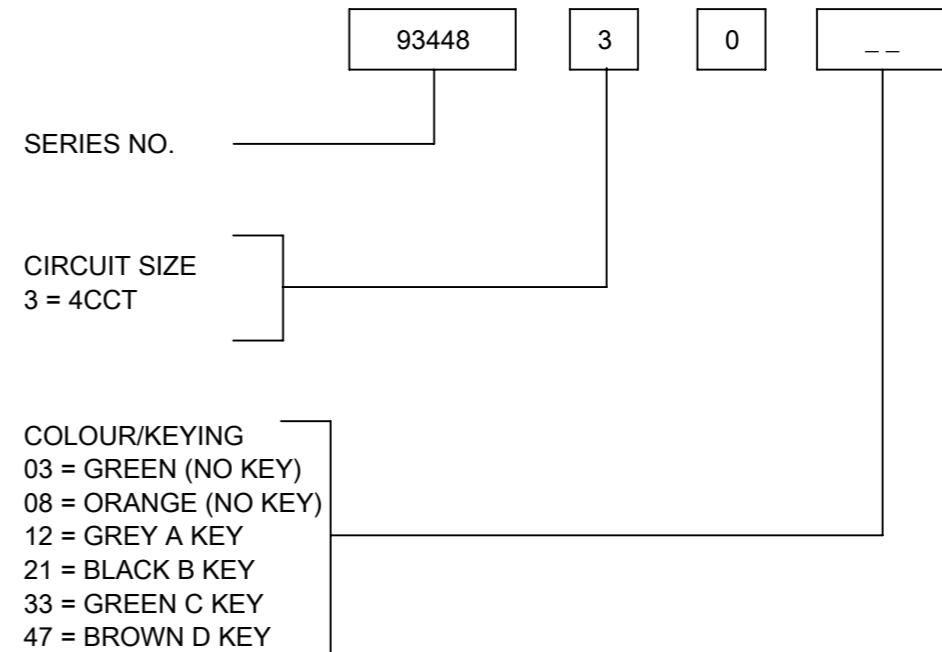
NOTES

1. SEE SHEET 6 FOR UNSPECIFIED NOTES AND DIMENSIONS
2. BACK COVER COLOUR BLACK
3. HEATSHRINK COLOUR BLACK

THIS DRAWING CONTAINS INFORMATION THAT IS PROPRIETARY TO MOLEX ELECTRONIC TECHNOLOGIES, LLC AND SHOULD NOT BE USED WITHOUT WRITTEN PERMISSION									
DIMENSION UNITS	SCALE	CURRENT REV DESC: SEE LONG TEXT				molex			
mm	1:1								
GENERAL TOLERANCES (UNLESS SPECIFIED)		EC NO: 605643				4CCT ML-XT CV CONNECTOR			
ANGULAR TOL	± 2.0 °	DRWN: MQUINN 2018/10/08				PRODUCT CUSTOMER DRAWING			
4 PLACES	±	CHK'D: AJOBRIEN 2018/10/15				DOCUMENT NUMBER			
3 PLACES	±	APPR: STGRIFFIN 2018/10/16				934430030			
2 PLACES	± 0.1	INITIAL REVISION:				DOC TYPE			
1 PLACE	± 0.2	DRWN: JFLETCHER 2015/11/02				PSD			
0 PLACES	±	APPR: JDWALLACE 2015/11/16				DOC PART			
DRAFT WHERE APPLICABLE MUST REMAIN WITHIN DIMENSIONS		THIRD ANGLE PROJECTION		DRAWING	SERIES	MATERIAL NUMBER	CUSTOMER	SHEET NUMBER	
				A3-SIZE	93443	SEE NOTES	GENERAL MARKET	7 OF 9	



4CCT PLUG WEDGELOCK

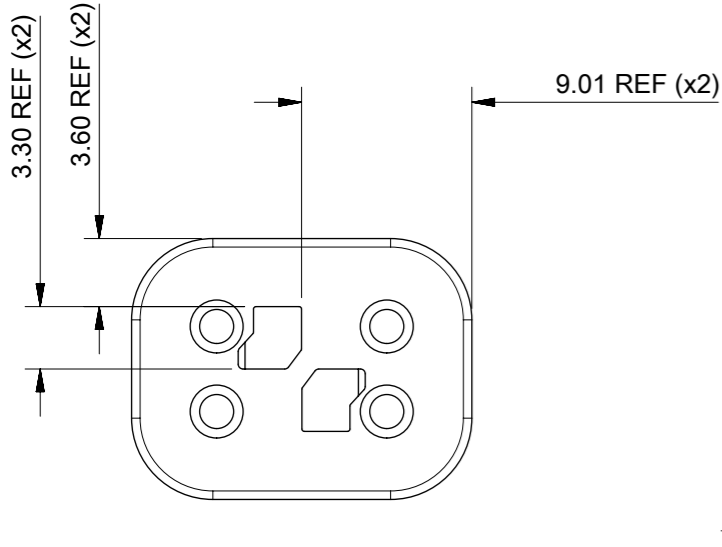
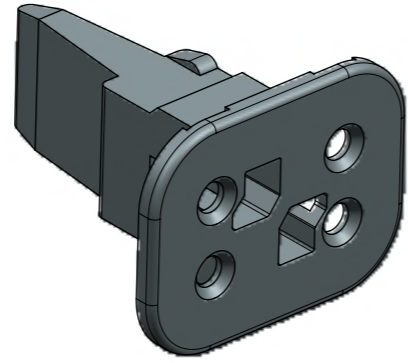


- NOTES
- MATERIAL
HOUSING: NYLON 30%GF
 - PART NUMBER 934483003 SHOWN

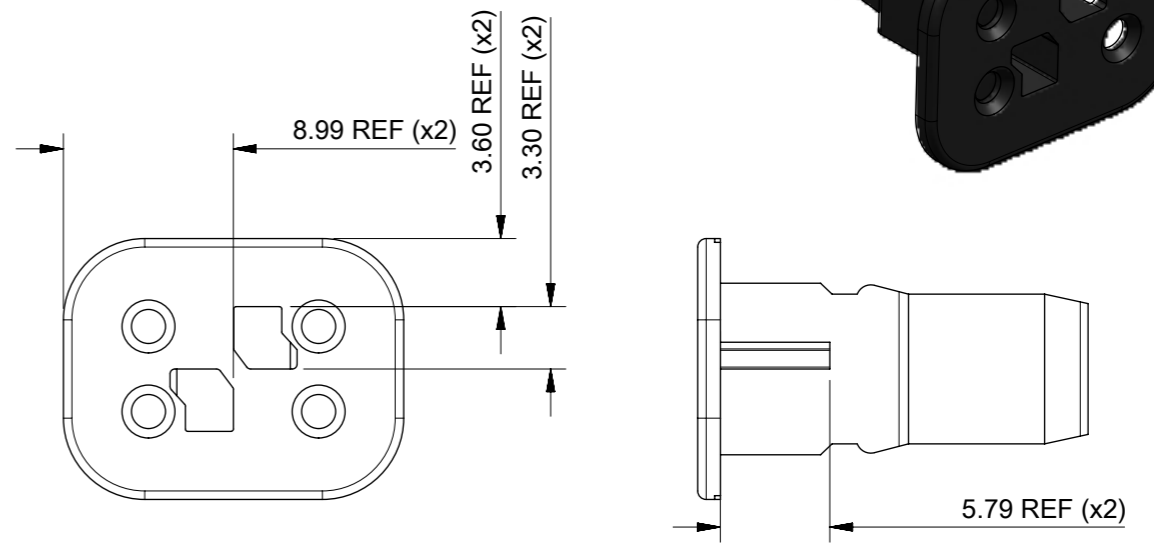
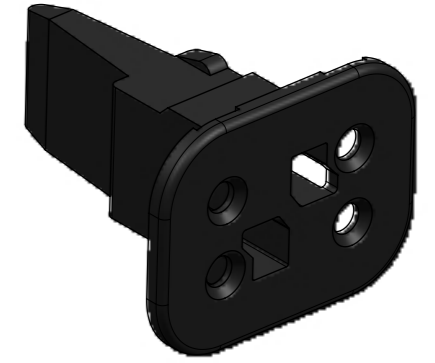
INSPECTION NUMBERS 151-200 RESERVED FOR SHEET 8
 LAST INSPECTION NUMBER 155

THIS DRAWING CONTAINS INFORMATION THAT IS PROPRIETARY TO MOLEX ELECTRONIC TECHNOLOGIES, LLC AND SHOULD NOT BE USED WITHOUT WRITTEN PERMISSION										
DIMENSION UNITS	SCALE	CURRENT REV DESC: SEE LONG TEXT								
mm	3:1									
GENERAL TOLERANCES (UNLESS SPECIFIED)		EC NO: 605643			4CCT ML-XT CV CONNECTOR					
ANGULAR TOL	± 2.0 °	DRWN: MQUINN 2018/10/08			PRODUCT CUSTOMER DRAWING					
4 PLACES	±	CHK'D: AJOBRIEN 2018/10/15			DOCUMENT NUMBER					
3 PLACES	±	APPR: STGRIFFIN 2018/10/16			934430030			DOC TYPE	DOC PART	REVISION
2 PLACES	± 0.1	INITIAL REVISION:			PSD 000 C1					
1 PLACE	± 0.2	DRWN: JFLETCHER 2015/11/02			MATERIAL NUMBER					
0 PLACES	±	APPR: JDWALLACE 2015/11/16			CUSTOMER					
DRAFT WHERE APPLICABLE MUST REMAIN WITHIN DIMENSIONS		THIRD ANGLE PROJECTION	DRAWING	SERIES	SHEET NUMBER		SHEET NUMBER		SHEET NUMBER	
			A3-SIZE	93443	SEE NOTES		GENERAL MARKET		8 OF 9	

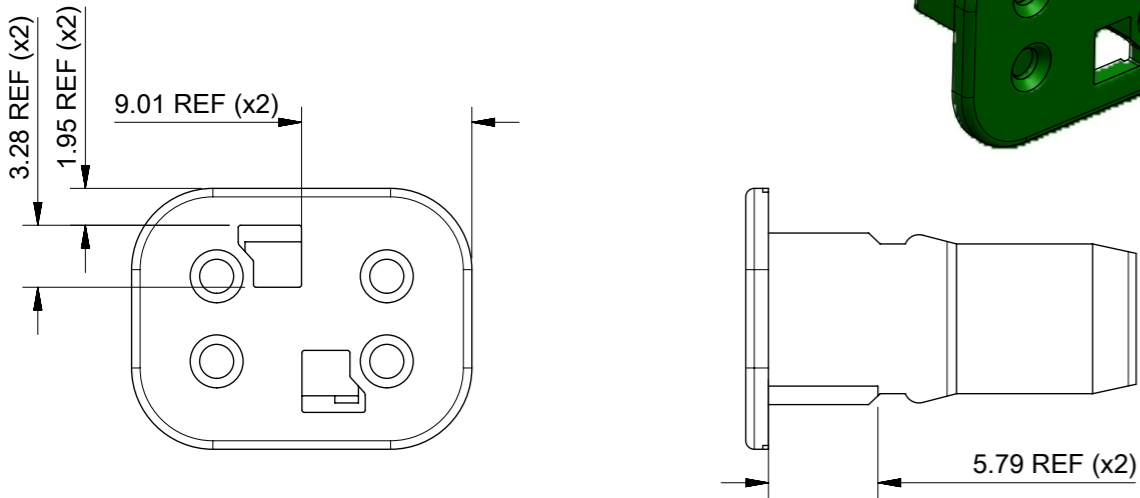
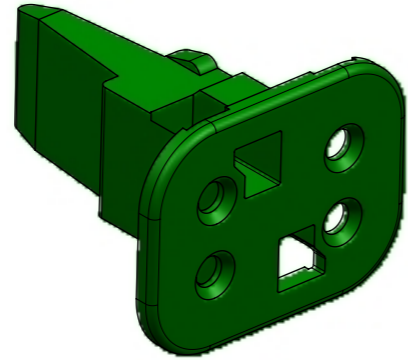
934483012 (KEY A)
COLOUR GREY



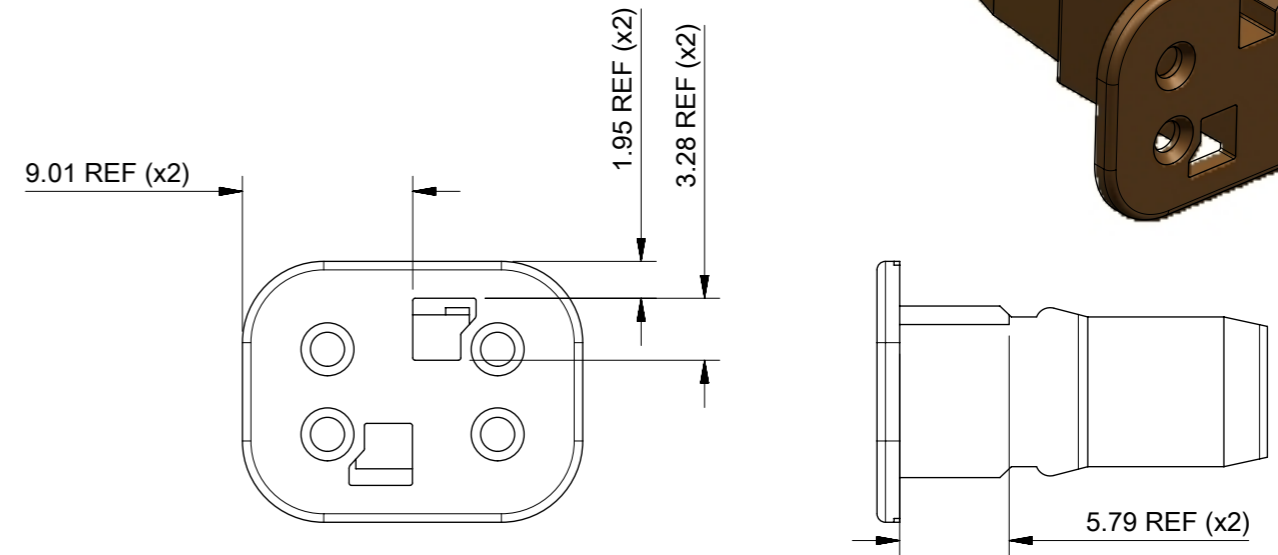
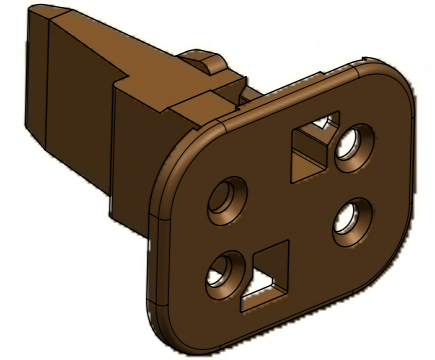
934483021 (KEY B)
COLOUR BLACK



934483033 (KEY C)
COLOUR GREEN



934483047 (KEY D)
COLOUR BROWN



NOTES:
1. MATERIAL PA66 30%GF
2. SEE SHEET 4 FOR UNSPECIFIED NOTES & DIMENSIONS

THIS DRAWING CONTAINS INFORMATION THAT IS PROPRIETARY TO MOLEX ELECTRONIC TECHNOLOGIES, LLC AND SHOULD NOT BE USED WITHOUT WRITTEN PERMISSION		CURRENT REV DESC: SEE LONG TEXT		molex	
DIMENSION UNITS	SCALE				
mm	2.5:1			PRODUCT CUSTOMER DRAWING	
GENERAL TOLERANCES (UNLESS SPECIFIED)		EC NO: 605643		DOCUMENT NUMBER	
ANGULAR TOL ± 2.0°		DRWN: MQUINN 2018/10/08		934430030	
4 PLACES ±		CHK'D: AJOBRIEN 2018/10/15		DOC TYPE DOC PART REVISION	
3 PLACES ±		APPR: STGRIFFIN 2018/10/16		PSD 000 C1	
2 PLACES ± 0.1		INITIAL REVISION:		MATERIAL NUMBER	
1 PLACE ± 0.2		DRWN: JFLETCHER 2015/11/02		CUSTOMER	
0 PLACES ±		APPR: JDWALLACE 2015/11/16		GENERAL MARKET	
DRAFT WHERE APPLICABLE MUST REMAIN WITHIN DIMENSIONS		THIRD ANGLE PROJECTION	DRAWING	SERIES	SHEET NUMBER
			A3-SIZE	93443	9 OF 9