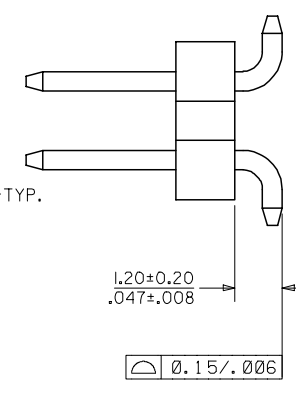
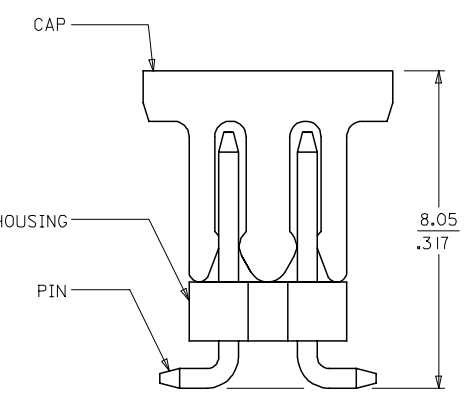
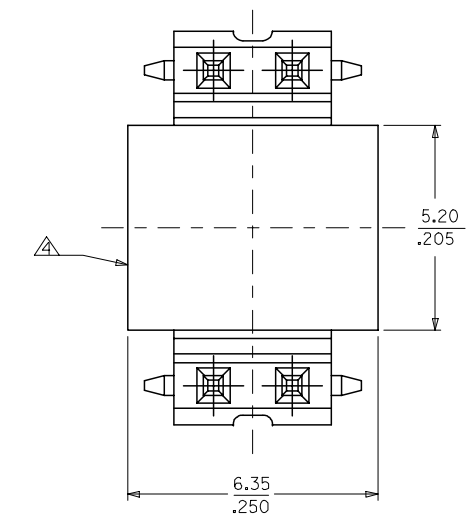


RECOMMENDED SOLDER PAD DESIGN



CKT SIZE	DIM A		DIM B	
	MM	INCH	MM	INCH
4	3.90	.154	2.00	.079
6	5.90	.232	4.00	.157
8	7.90	.311	6.00	.236
10	9.90	.390	8.00	.315
12	11.90	.468	10.00	.394
14	13.90	.547	12.00	.472
16	15.90	.626	14.00	.551
18	17.90	.705	16.00	.630
20	19.90	.783	18.00	.709
22	21.90	.862	20.00	.787
24	23.90	.941	22.00	.866
26	25.90	1.020	24.00	.945
28	27.90	1.098	26.00	1.024
30	29.90	1.177	28.00	1.102
32	31.90	1.256	30.00	1.181
34	33.90	1.334	32.00	1.260
36	35.90	1.413	34.00	1.338
38	37.90	1.492	36.00	1.417
40	39.90	1.571	38.00	1.496
42	41.90	1.650	40.00	1.575
44	43.90	1.728	42.00	1.653
46	45.90	1.807	44.00	1.732
48	47.90	1.886	46.00	1.811
50	49.90	1.965	48.00	1.890

- NOTES :
- FOR ILLUSTRATION PURPOSES, DRAWING SHOWS PART WITH 10 CIRCUIT SIZE.
 - MATERIAL: HOUSING & CAP: NYLON 4/6 GLASS FILLED, UL 94V-0, SUITABLE FOR SURFACE-MOUNT SOLDERING PROCESS. COLOR BLACK
PINS: 0.50MM SQ. PHOSPHOR BRONZE
 - PLATING: 0.38um/15uin MIN. GOLD PLATE AT CONTACT AREA AND 1.90um/75uin MIN. TIN/LEAD PLATE AT SOLDER TAIL, BOTH OVER 1.27um/50uin MIN. NICKEL UNDERPLATE.
 - POSITION OF CAP TO BE LOCATED AT CENTER OF DIMENSION 'A' REGARDLESS OF CIRCUIT SIZE.
 - TOP SURFACE OF CAP TO BE FLAT FOR THE PURPOSE OF PICK-&-PLACE BY VACUUM SUCTION NOZZLE.
 - ASSEMBLY PART TO BE PACKAGED IN TUBE OR TAPE & REEL, SEE SHEET 2, 3 & 4 FOR PART NUMBERS AND PACKAGING DETAILS.
 - PRODUCT SPECIFICATION PS-87049 APPLIES.
 - PART TO BE PACKED IN TRAY ONLY.



UPDATE REVISION EC NO: S2005-0714 DRWN:KSEE CHKD:RHLW APPR:PTLM 2005/10/19 2005/10/19 2005/10/28	QUALITY SYMBOLS ▽=0 ▽=0	GENERAL TOLERANCES (UNLESS SPECIFIED)		DIMENSION STYLE		SCALE	DESIGN UNITS	THIRD ANGLE PROJECTION		
				MM/IN		NTS	METRIC			
		4 PLACES	± ---	± ---	DRAWN BY	DATE	TITLE			
		3 PLACES	± ---	± .008	JWAN	1994/04/24	SALES DRAWING			
2 PLACES	± 0.2	± ---	CHECKED BY	DATE	MGRID, 2MM DUAL ROW HDR. SMT					
1 PLACE	± ---	± ---	SKTOH	1994/04/26	MOLEX INCORPORATED					
ANGULAR ± ---°				APPROVED BY	DATE	DOCUMENT NO.		SHEET NO.		
				ROY	1994/04/27	SD-87267-***4		1 OF 4		
DRAFT WHERE APPLICABLE MUST REMAIN WITHIN DIMENSIONS		SIZE A3		SEE TABLE		THIS DRAWING CONTAINS INFORMATION THAT IS PROPRIETARY TO MOLEX INCORPORATED AND SHOULD NOT BE USED WITHOUT WRITTEN PERMISSION				

10 9 8 7 6 5 4 3 2 1

F

E

D

C

B

A

F

E

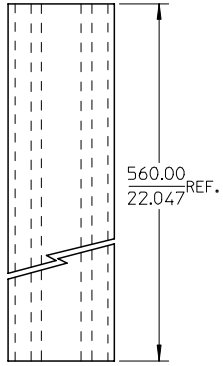
D

C

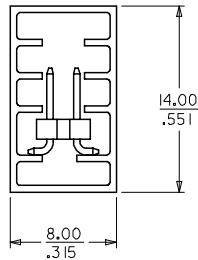
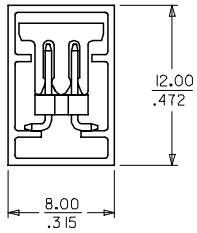
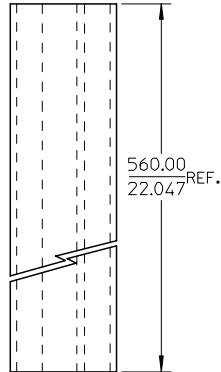
B

A

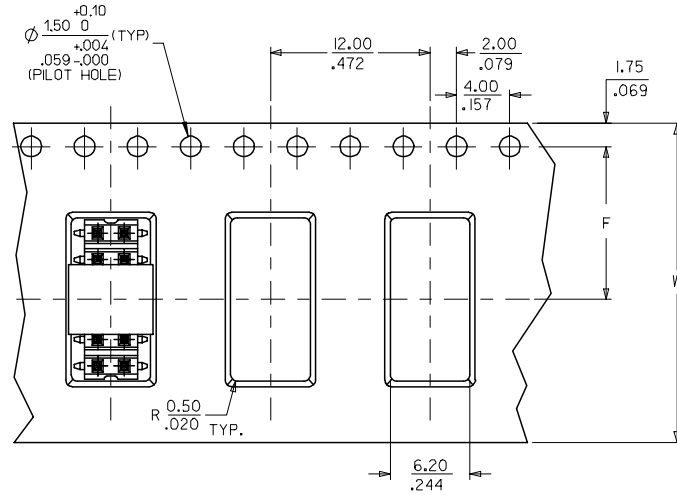
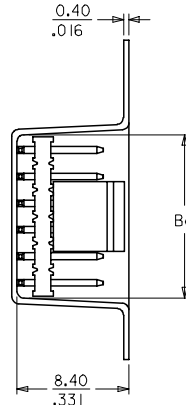
WITH CAP
TUBE PACKAGING



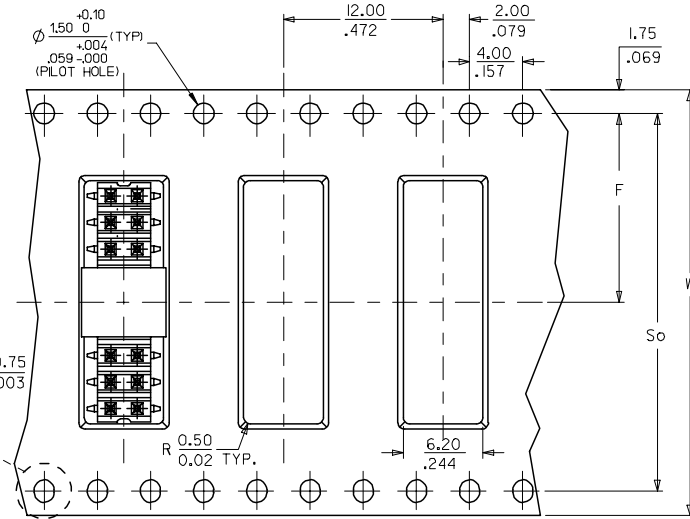
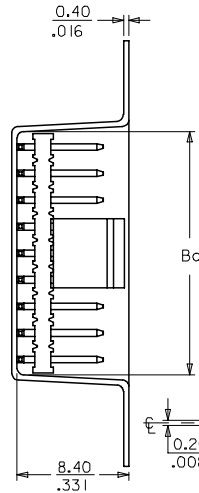
WITHOUT CAP
TUBE PACKAGING



EMBOSSED CARRIER TAPE TYPE "A"



EMBOSSED CARRIER TAPE TYPE "B"



UPDATE REVISION	DESCRIPTION
EC NO: S2005-0714	2005/10/19
DRWN:KSEE	2005/10/19
CHKD:BLHOW	2005/10/19
APPR:PTLIM	2005/10/28
A7	REV

QUALITY SYMBOLS	▽=0
	∇=0

GENERAL TOLERANCES (UNLESS SPECIFIED)	MM	INCH
4 PLACES	± ---	± ---
3 PLACES	± ---	± .008
2 PLACES	± 0.2	± ---
1 PLACE	± ---	± ---
ANGULAR	± ---°	
DRAFT WHERE APPLICABLE MUST REMAIN WITHIN DIMENSIONS		

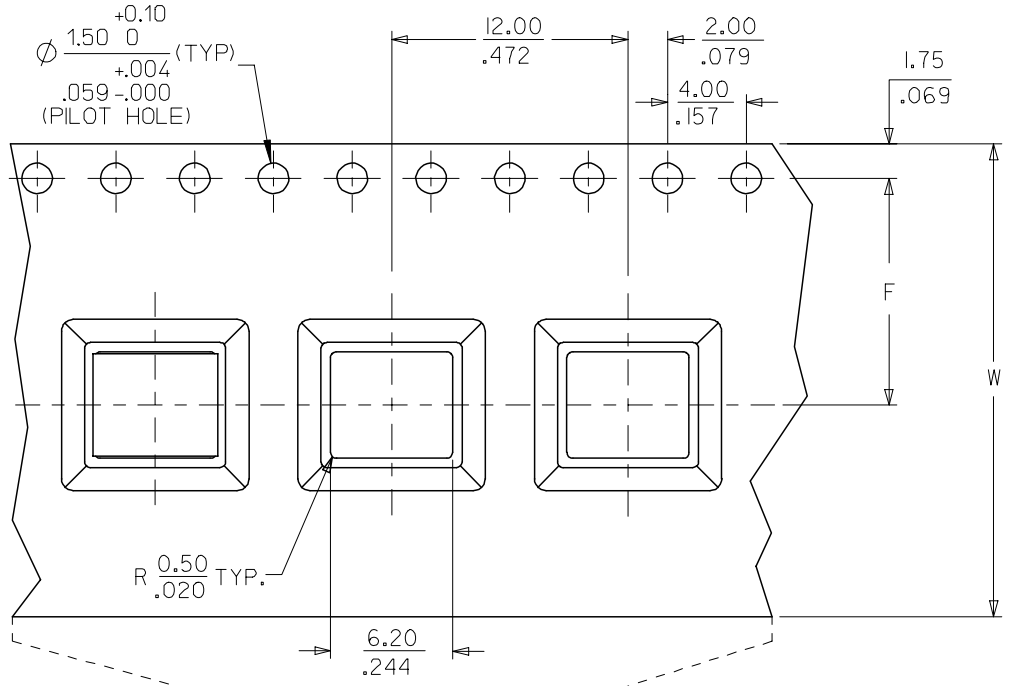
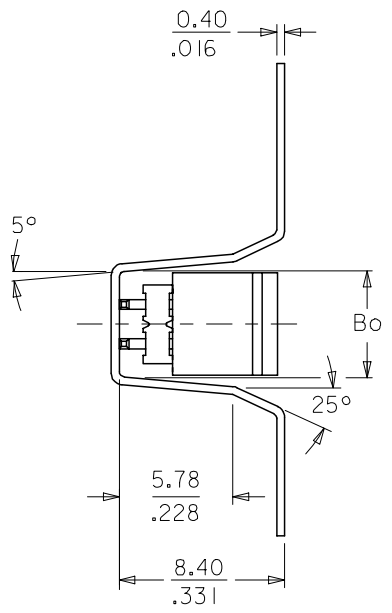
DIMENSION STYLE		MM/IN
DRAWN BY	DATE	TITLE
JWAN	1995/04/24	SALES DRAWING MGRID, 2MM DUAL ROW HDR. SMT
CHECKED BY	DATE	
SKTOH	1995/04/26	MOLEX INCORPORATED
APPROVED BY	DATE	
ROY	1995/04/27	
MATERIAL NO.	DOCUMENT NO.	SHEET NO.
SEE TABLE	SD-87267-***4	3 OF 4
THIS DRAWING CONTAINS INFORMATION THAT IS PROPRIETARY TO MOLEX INCORPORATED AND SHOULD NOT BE USED WITHOUT WRITTEN PERMISSION		

SCALE	DESIGN UNITS	THIRD ANGLE PROJECTION
NTS	METRIC	

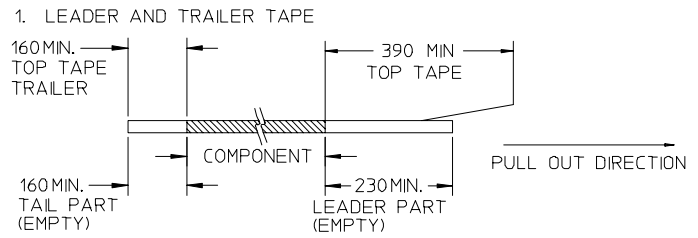
9 8 7 6 5 4 3 2 1

EMBOSSED CARRIER TAPE TYPE "C"

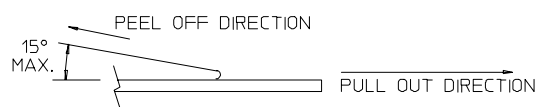
THIS TYPE OF CARRIER IS F R CKTOSIZE 8 AND BELOW.



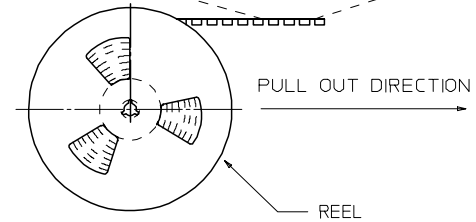
NOTES:



2. PEELING OFF FORCE OF THE TOP TAPE: 20-80gf.
(PEELING DIRECTION AS SHOWN IN FOLLOWING FIGURE)



3. PACKAGING STANDARD IS AS PER EIA-481.
4. TAPE & REEL QUANTITY = SEE TABLE



TAPE AND REEL ORIENTATION

ADD LEADER & TRAILER EC NO: S2005-0714 DRWN:KSEE CHKD:BLW APPR:PTL/IM 2005/10/19 2005/10/19 2005/11/05	DESCRIPTION REV	QUALITY SYMBOLS	GENERAL TOLERANCES (UNLESS SPECIFIED)	DIMENSION STYLE	SCALE	DESIGN UNITS	THIRD ANGLE PROJECTION	
		$\nabla=0$ $\nabla C=0$	mm INCH 4 PLACES ± --- ± --- 3 PLACES ± --- ± .008 2 PLACES ± 0.2 ± --- 1 PLACE ± --- ± --- ANGULAR ± ---°	MM/IN	NTS	METRIC	SEE TABLE SEE TABLE SEE TABLE	TITLE SALES DRAWING MGRID, 2MM DUAL ROW HDR. SMT
			DRAFT WHERE APPLICABLE MUST REMAIN WITHIN DIMENSIONS	DRAWN BY DATE SEE 1995/09/12 CHECKED BY DATE GMS 1995/11/03 APPROVED BY DATE ROY 1995/11/03	MATERIAL NO. SEE TABLE	DOCUMENT NO. SD-87267-***4	MOLEX INCORPORATED	SHEET NO. 4 OF 4
		A7			SIZE A3	THIS DRAWING CONTAINS INFORMATION THAT IS PROPRIETARY TO MOLEX INCORPORATED AND SHOULD NOT BE USED WITHOUT WRITTEN PERMISSION		