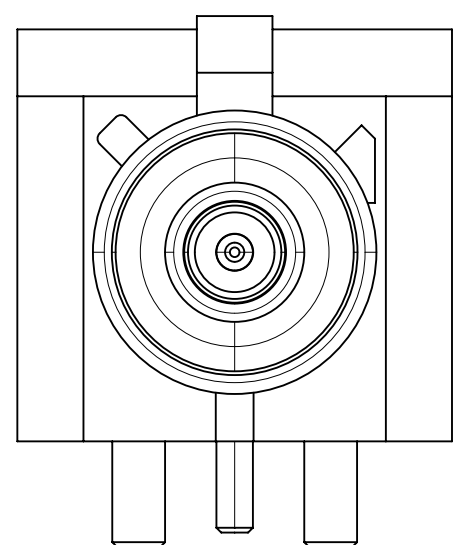
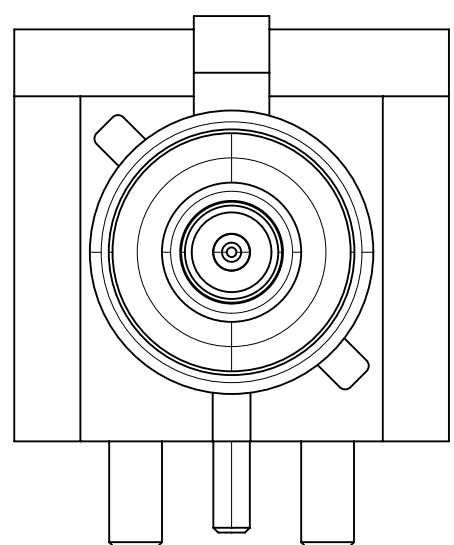


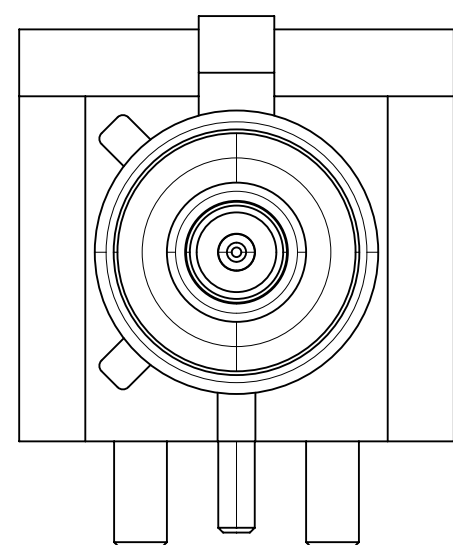
CODE A



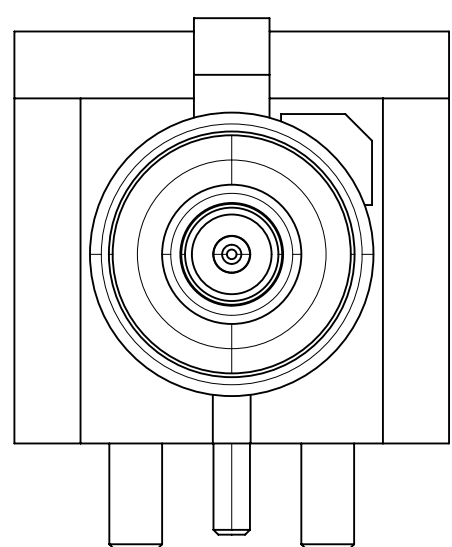
CODE B



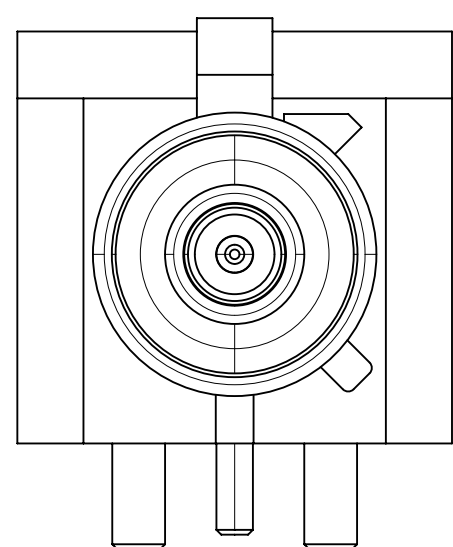
CODE C



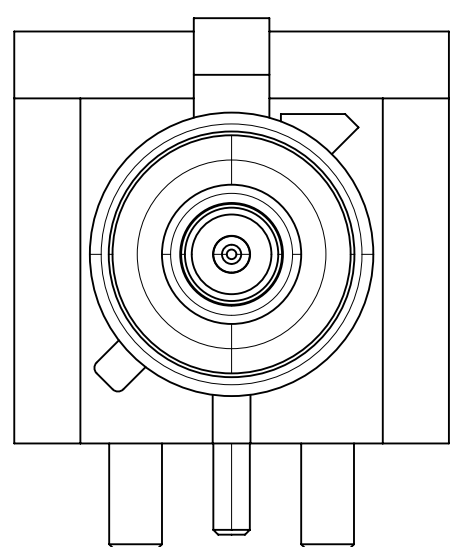
CODE D



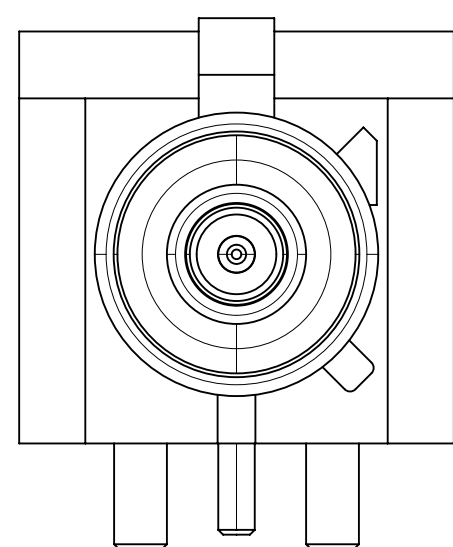
CODE E



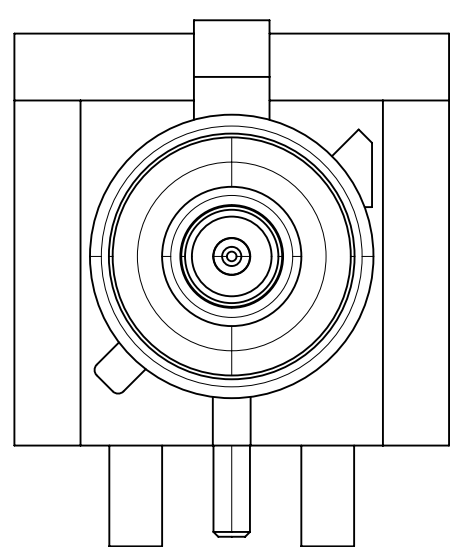
CODE F



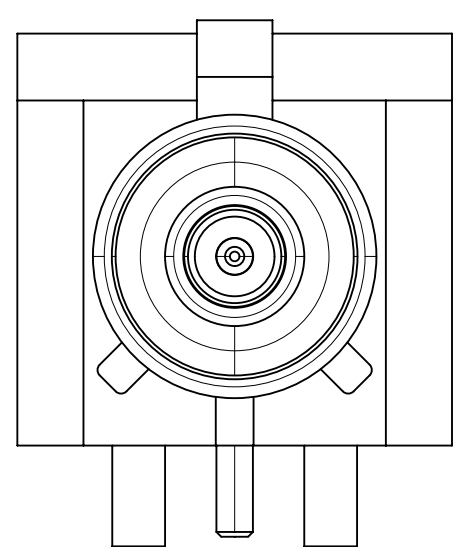
CODE G



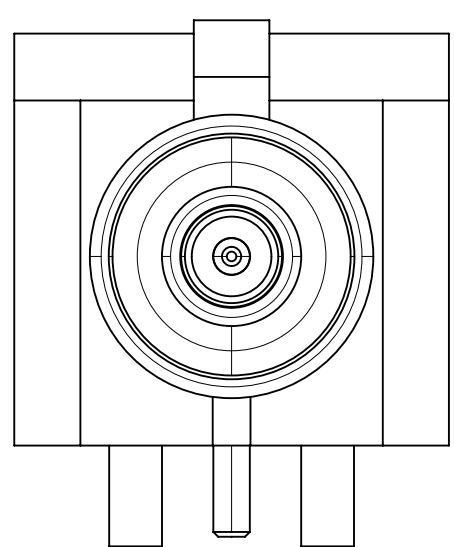
CODE H



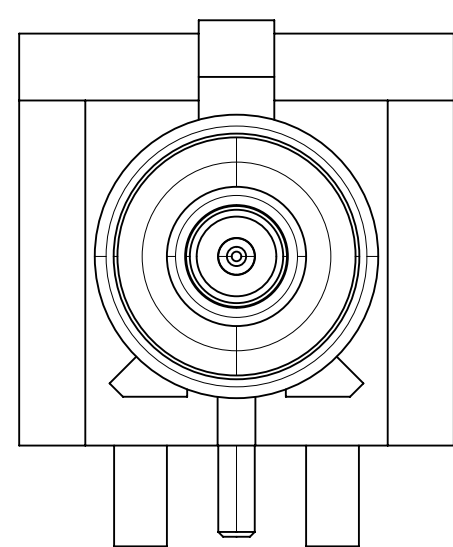
CODE I



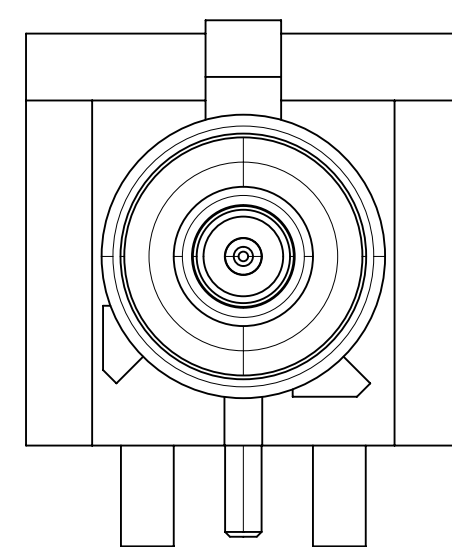
CODE K



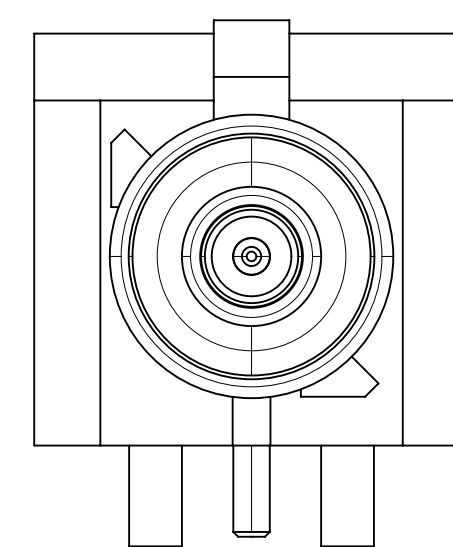
CODE Z



CODE L



CODE M



CODE N

N	PASTEL GREEN	73404-1173
M	PASTEL ORANGE	73404-1172
L	CARMINE RED	73404-1171
Z	WATER BLUE	73404-1170
K	CURRY YELLOW	73404-1169
I	BEIGN	73404-1168
H	VIOLET	73404-1167
G	GRAY	73404-1166
F	BROWN	73404-1165
E	GREEN	73404-1164
D	BORDEAUXVILOET	73404-1163
C	BLUE	73404-1162
B	SINGLE WHITE	73404-1161
A	BLACK	73404-1160
KEYING CODE	COLOR	PART NO.

THIS DRAWING CONTAINS INFORMATION THAT IS PROPRIETARY TO MOLEX ELECTRONIC TECHNOLOGIES, LLC AND SHOULD NOT BE USED WITHOUT WRITTEN PERMISSION											
SYMBOLS		DIMENSION UNITS		SCALE		CURRENT REV DESC:					
▽ = 0		HYBRID		NTS		EC NO: 603096					
▽ = 0		GENERAL TOLERANCES (UNLESS SPECIFIED)				DRWN: ELIN 2018/07/25					
▽ = 0		ANGULAR TOL ± 2.0°				CHK'D: YCHENG 2018/09/06					
▽ = 0		4 PLACES ±				APPR: YCHENG 2018/09/06					
▽ = 0		3 PLACES ±				INITIAL REVISION:					
▽ = 0		2 PLACES ±				DRWN: JMASTRIANO 2005/08/30					
▽ = 0		1 PLACE ±				APPR: JWIENER 2005/08/30					
▽ = 0		0 PLACES ±				THIRD ANGLE PROJECTION					
▽ = 0		DRAFT WHERE APPLICABLE MUST REMAIN WITHIN DIMENSIONS				DRAWING		SERIES		MATERIAL NUMBER	
▽ = 0		C-SIZE		73404		SEE TABLE		CUSTOMER		SHEET NUMBER	
▽ = 0		C-SIZE		73404		GENERAL MARKET		PSD 001		B4 2 OF 4	

molex

FAKRA JACK, R/A ,PCB
50 OHMS TAPE&REEL, FAKRA-J/PCB

PRODUCT CUSTOMER DRAWING

DOCUMENT NUMBER	DOC TYPE	DOC PART	REVISION
SD-73404-116	PSD	001	B4

MATERIAL NUMBER	CUSTOMER	SHEET NUMBER
SEE TABLE	GENERAL MARKET	2 OF 4

DOCUMENT STATUS	P1	RELEASE DATE	2018/09/06	03:34:10
-----------------	----	--------------	------------	----------

FEED DIRECTION →

$.157 \pm .004$
 4.00 ± 0.10
 10 PITCHS CUMULATIVE TOLERANCE ON TAPE $\pm .20$ (.008)

$.079 \pm .006$
 2.00 ± 0.15

$.059 \pm .004$
 $\varnothing 1.50 \pm 0.10$

$.069 \pm .004$
 1.75 ± 0.10

$.582 \pm .006$
 14.78 ± 0.15

$1.141 \pm .008$
 28.97 ± 0.20

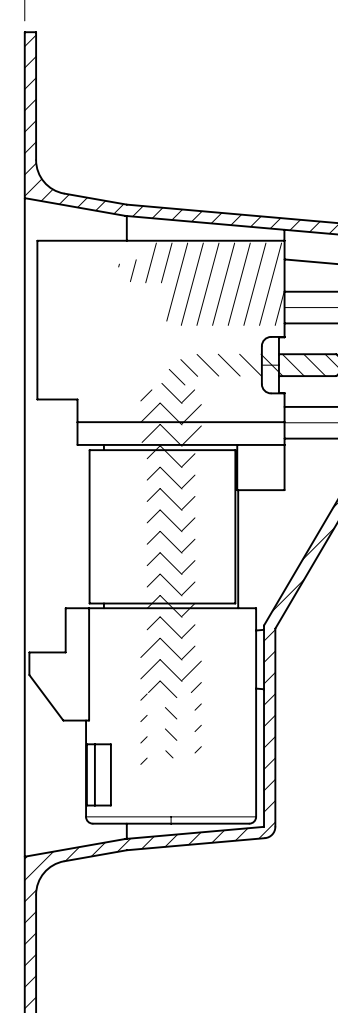
1.663
 42.25 MIN.

1.744
 44.30 MAX.

$.715 \pm .008$
 18.16 ± 0.20

$1.102 \pm .006$
 28.00 ± 0.15

← REEL

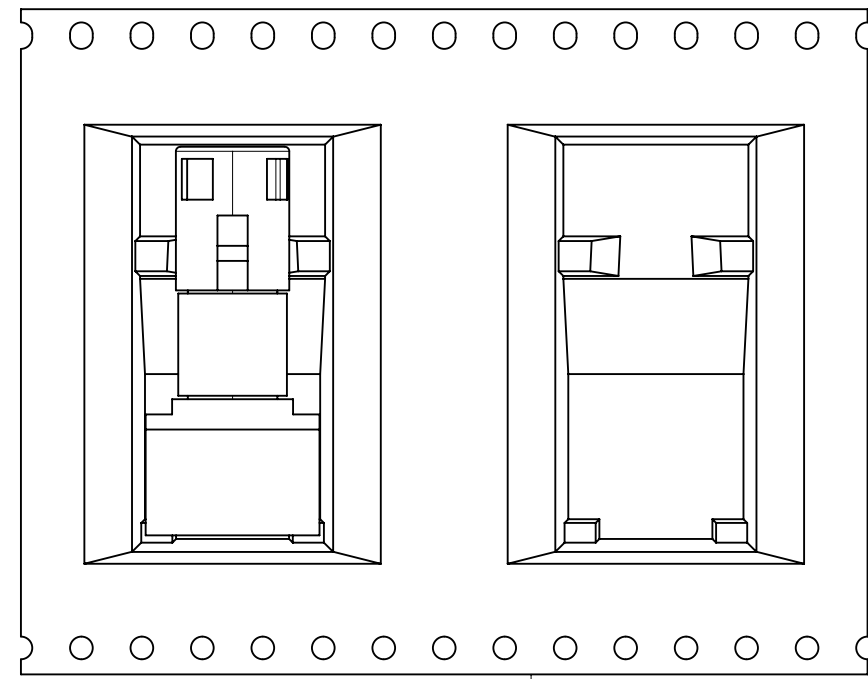


SECTION A-A

NOTES:
 1. 160 CONNECTORS PER REEL ON 330.2 mm (13.0 IN)
 REEL

THIS DRAWING CONTAINS INFORMATION THAT IS PROPRIETARY TO MOLEX ELECTRONIC TECHNOLOGIES, LLC AND SHOULD NOT BE USED WITHOUT WRITTEN PERMISSION										
SYMBOLS		DIMENSION UNITS		SCALE		CURRENT REV DESC:				
$\nabla = 0$	$\nabla = 0$	HYBRID		NTS		EC NO: 603096 DRWN: ELIN 2018/07/25 CHK'D: YCHENG 2018/09/06 APPR: YCHENG 2018/09/06				
$\nabla = 0$	$\nabla = 0$	GENERAL TOLERANCES (UNLESS SPECIFIED)								
$\nabla = 0$	$\nabla = 0$	ANGULAR TOL $\pm 2.0^\circ$				INITIAL REVISION: DRWN: JMASTRIANO 2005/08/30 APPR: JWIENER 2005/08/30				
$\nabla = 0$	$\nabla = 0$	4 PLACES \pm								
$\nabla = 0$	$\nabla = 0$	3 PLACES \pm				DOCUMENT NUMBER SD-73404-116				
$\nabla = 0$	$\nabla = 0$	2 PLACES \pm								DOC TYPE
$\nabla = 0$	$\nabla = 0$	1 PLACE \pm				PSD		001		B4
$\nabla = 0$	$\nabla = 0$	0 PLACES \pm				MATERIAL NUMBER		CUSTOMER		SHEET NUMBER
$\nabla = 0$	$\nabla = 0$	DRAFT WHERE APPLICABLE MUST REMAIN WITHIN DIMENSIONS				THIRD ANGLE PROJECTION		DRAWING		SERIES
$\nabla = 0$	$\nabla = 0$			C-SIZE		73404		SEE TABLE		GENERAL MARKET
										3 OF 4

DOCUMENT STATUS	P1	RELEASE DATE	2018/09/06	03:34:10
-----------------	----	--------------	------------	----------



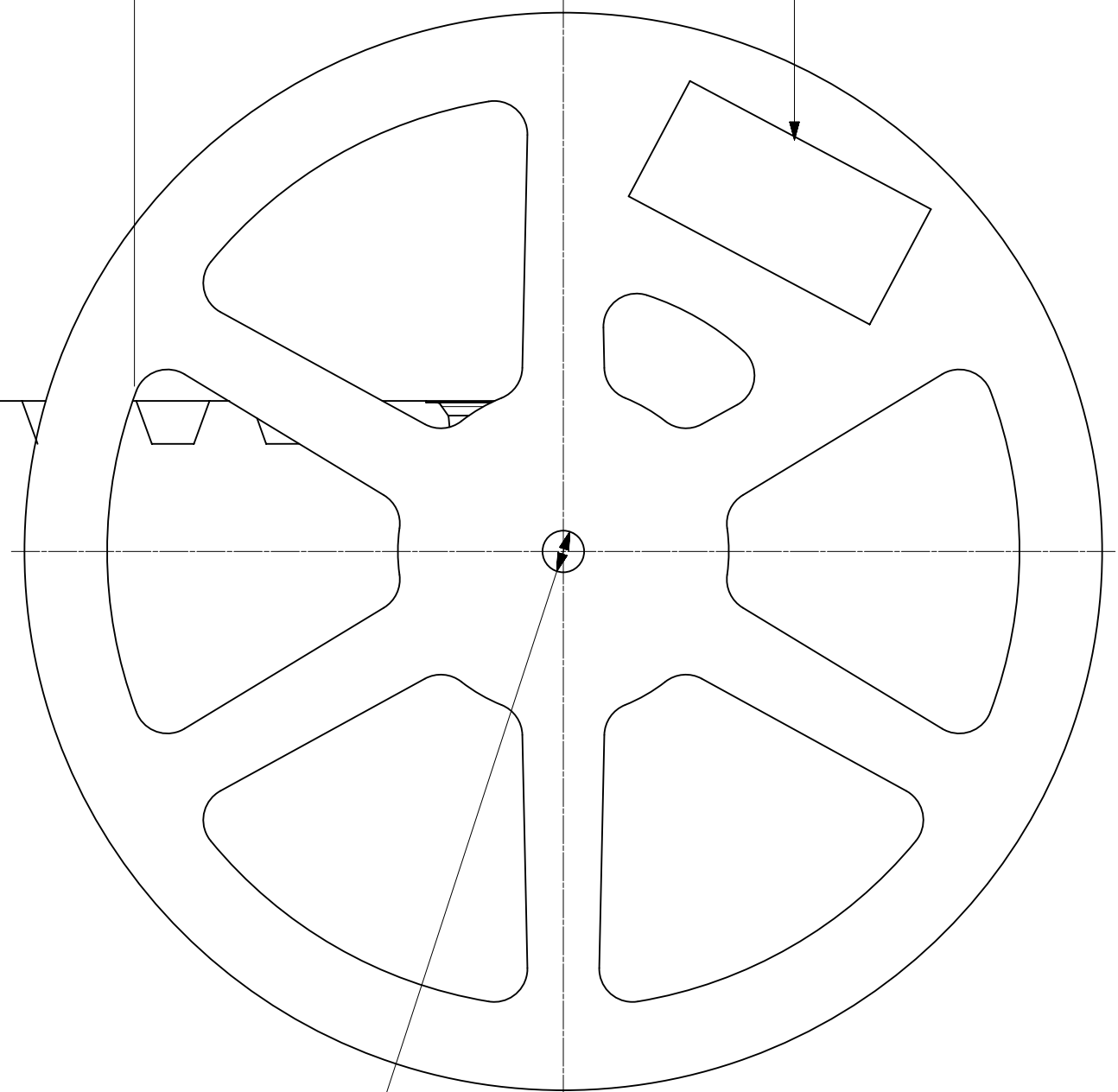
TOP VIEW

[12.992]
330.00 MIN.

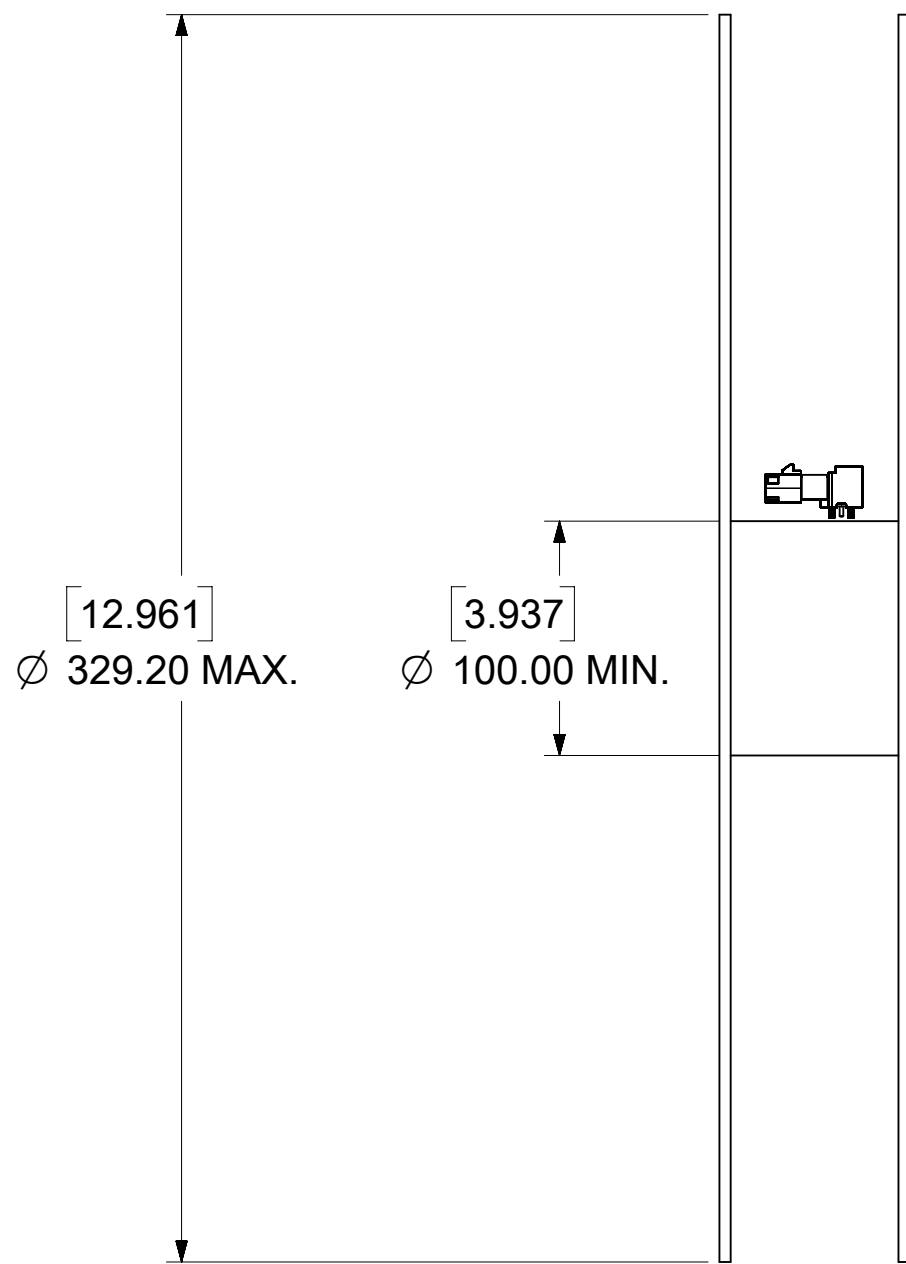
[5.906]
150.00 MIN.
CARRIER TAPE
SEALED WITH
COVER TAPE

LABEL:
- ORDER NO.
- QUANTITY
- PART NO.
- LOT NO.

250mm MIN OF CARRIER AND /OR COVER TAPE.
PLUS 80mm MINIMUM OF CARRIER TAPE SEALED
WITH COVER TAPE



[.531 ± .039]
Ø 13.50 ± 1.00



[12.961]
Ø 329.20 MAX.

[3.937]
Ø 100.00 MIN.

[1.748 ± .079]
44.40 ± 2.00

[2.008]
51.00 MAX.

THIS DRAWING CONTAINS INFORMATION THAT IS PROPRIETARY TO MOLEX ELECTRONIC TECHNOLOGIES, LLC AND SHOULD NOT BE USED WITHOUT WRITTEN PERMISSION									
SYMBOLS		DIMENSION UNITS		SCALE		CURRENT REV DESC:			
▽ = 0	HYBRID	NTS				EC NO: 603096			
▽ = 0	GENERAL TOLERANCES (UNLESS SPECIFIED)				DRWN: ELIN		2018/07/25		
▽ = 0	ANGULAR TOL ± 2.0°				CHK'D: YCHENG		2018/09/06		
▽ = 0	4 PLACES ±				APPR: YCHENG		2018/09/06		
▽ = 0	3 PLACES ±				INITIAL REVISION:				
▽ = 0	2 PLACES ±				DRWN: JMASTRIANO		2005/08/30		
▽ = 0	1 PLACE ±				APPR: JWIENER		2005/08/30		
▽ = 0	0 PLACES ±				DRAFT WHERE APPLICABLE MUST REMAIN WITHIN DIMENSIONS		THIRD ANGLE PROJECTION		DRAWING
▽ = 0					C-SIZE		SERIES		MATERIAL NUMBER
						73404		CUSTOMER	
						SEE TABLE		GENERAL MARKET	
								SHEET NUMBER	
								4 OF 4	

molex

FAKRA JACK, R/A ,PCB
50 OHMS TAPE&REEL, FAKRA-J/PCB

PRODUCT CUSTOMER DRAWING

DOCUMENT NUMBER
SD-73404-116

DOC TYPE DOC PART REVISION
PSD 001 B4