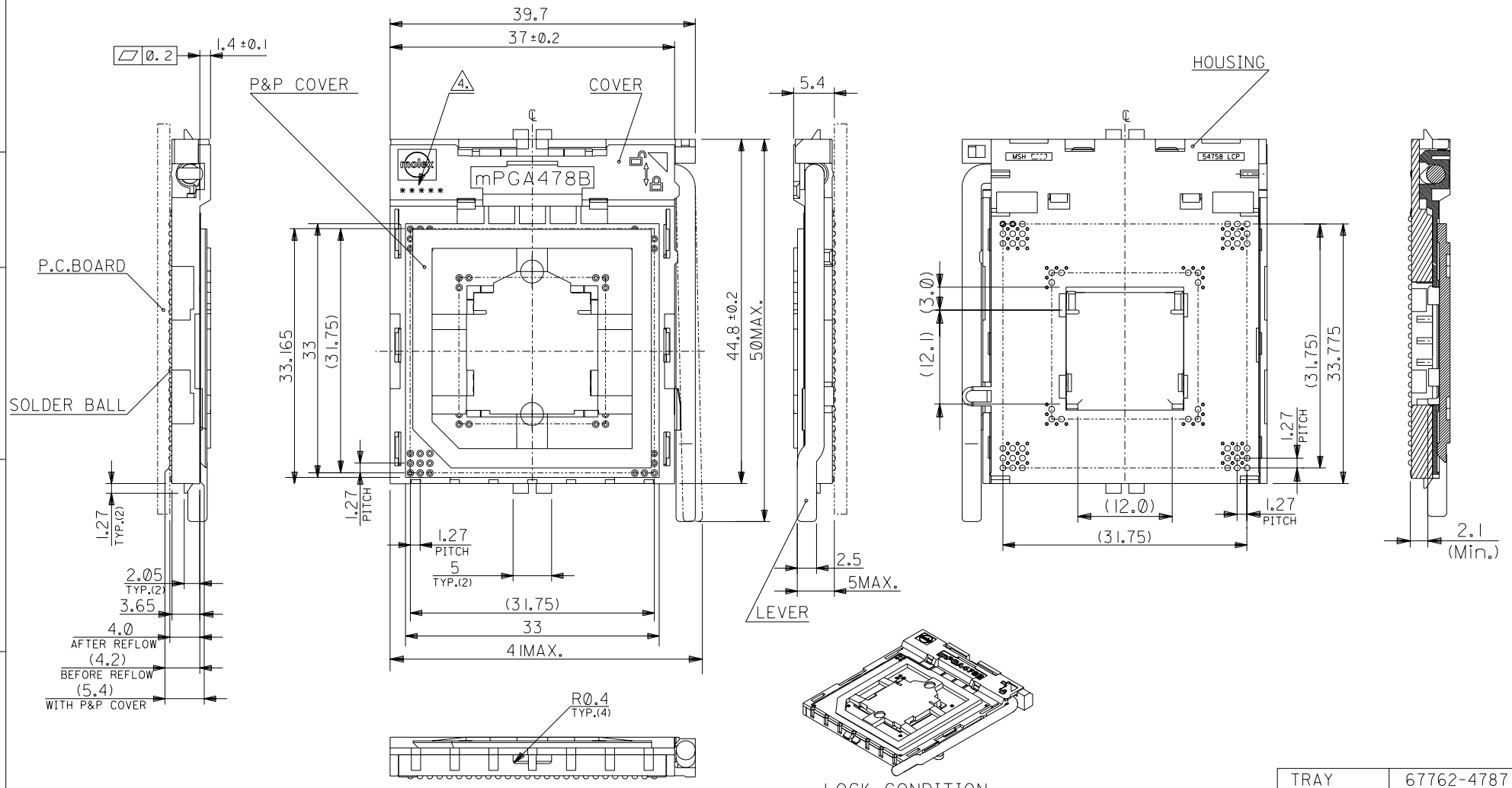


DWG. NO. SD-67762-001

DO NOT SCALE DRAWING



EC NO. DRWN: CHK: APPR:	EC NO. DRWN: CHK: APPR:	EC NO. DRWN: CHK: APPR:	EC NO. DRWN: CHK: APPR:	EC NO. DRWN: CHK: APPR:

RELEASE
EC NO. T2002-0223
DRWN: ERIC KAO 02/04/23
CHK:
APPR:

MATERIAL 材料	#
FINISH 仕上り	#
WIRE RANGE 適用電線規格	#
INS. RANGE 被覆外径	#

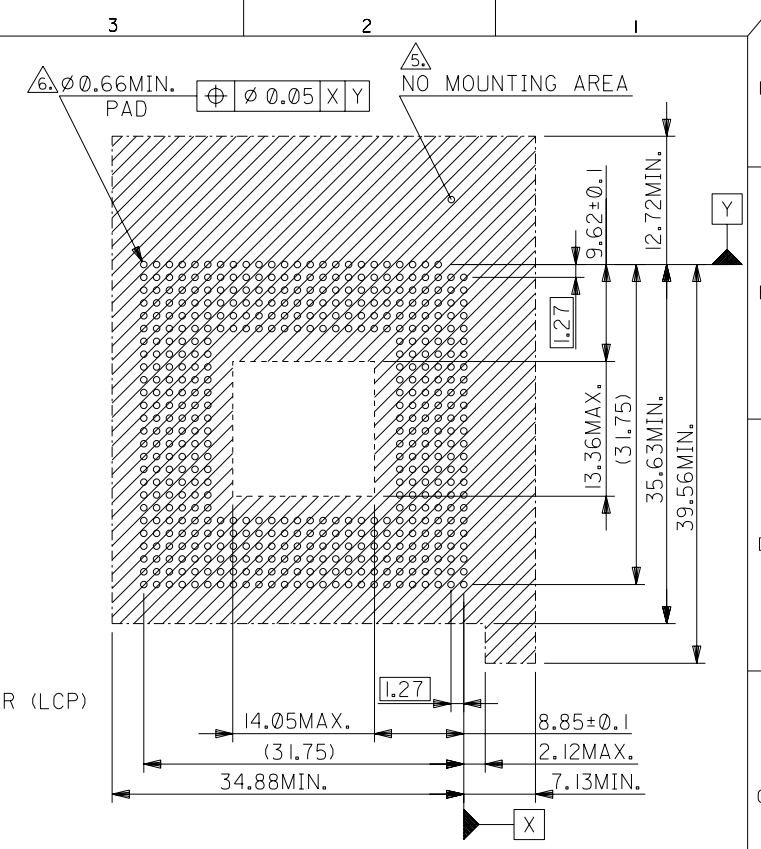
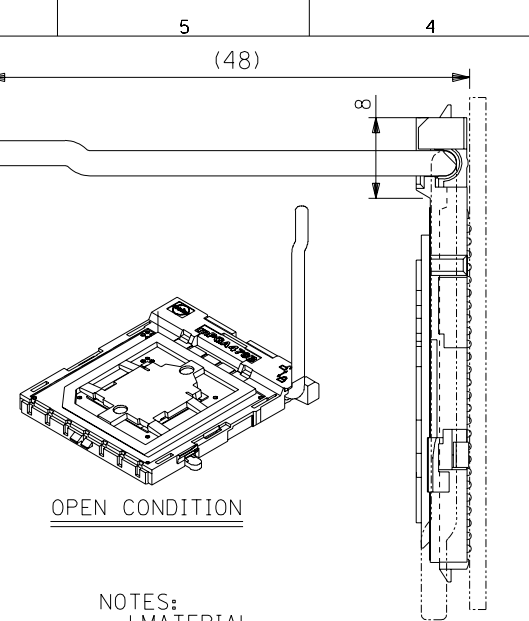
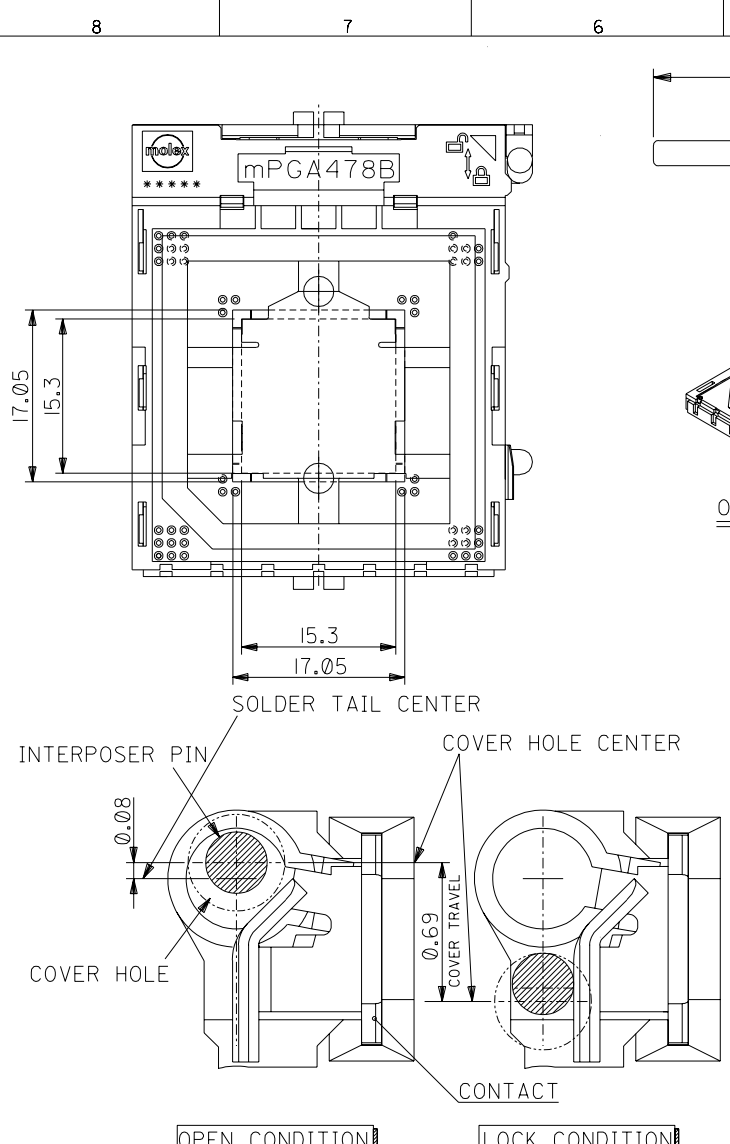
GENERAL TOLERANCES: (UNLESS SPECIFIED) 一般公差	±0.2
10 UNDER 未滿	±0.25
10 OVER 30 UNDER 以上 未滿	±0.3
30 OVER 以上	±3°
ANGLE 角度	

SCALE 2 - 1	DESIGN UNITS mm INCH
DRAWN BY & DATE Eric kao 02/03/20	CHECKED BY & DATE Wilson Chang 02/03/20
APPROVED BY & DATE Erick Lan 02/03/20	CAD FILENAME 67762001.S01

THIRD ANGLE PROJECTION	TITLE: mPGA478 SOCKET HOUSING ASS'Y
PACKAGING MATERIAL NO. 67762-4787	SHT REV
DIMENSIONS: mm INCH mm mm ONLY	REVISE ON CAD ONLY
MATERIAL NO. SEE CHART	DRAWING NO. SD-67762-001
MOLEX INCORPORATED	
SHEET NO. 1 OF 2	

THIS DRAWING CONTAINS INFORMATION THAT IS PROPRIETARY TO MOLEX INCORPORATED AND SHOULD NOT BE USED WITHOUT WRITTEN PERMISSION. SIZE B

DWG. NO. SD-67762-001



- NOTES:
- MATERIAL HOUSING : UL94V-0, COLOR BLACK
COVER : LIQUID CRYSTAL POLYMER (LCP)
UL94V-0, COLOR WHITE
LEVER : STAINLESS STEEL
CONTACT : COPPER ALLOY
SOLDER BALL : TIN-LEAD (63:37)
 $\phi 0.76$
PICK & PLACE COVER : HIGH TEMPERATURE MATERIAL RECOMMENDED P.C.BOARD LAYOUT
 - PLATING
CONTACT AREA : GOLD
UNDER PLATING : NICKEL.
 - SOLDER BALL COPLANARITY : 0.2MAX.

- WEEK CODE
* * * *
MANUFACTORY CODE (Sc)
WORK WEEK OF THE YEAR
WORK YEAR(0=Y2000)

- FINGER KEEP OUT ZONE IS NOT INCLUDED.
- NEVER MAKE THROUGH HOLE IN PAD AREA.
- LEVER MUST REMAIN IN THE LOCKED POSITION UNTIL SOCKET IS SOLDERED TO BOARD.
- TRUE POSITION IS 0.25 mm MAX.
- PRODUCT SPECIFICATION : REFER TO PS-54762-006.

DO NOT SCALE DRAWING

EC NO. DRWN: CH'K: APPR:		EC NO. DRWN: CH'K: APPR:		EC NO. DRWN: CH'K: APPR:		EC NO. DRWN: CH'K: APPR:		EC NO. DRWN: CH'K: APPR:		EC NO. DRWN: CH'K: APPR: SEE SHEET 1 OF 2		MATERIAL 材料		GENERAL TOLERANCES: (UNLESS SPECIFIED) 一般公差		SCALE 2 - 1		DESIGN UNITS <input checked="" type="checkbox"/> mm <input type="checkbox"/> INCH		THIRD ANGLE PROJECTION		DIMENSIONS: <input type="checkbox"/> mm <input type="checkbox"/> INCH <input checked="" type="checkbox"/> mm ONLY		SHT		REV	
										A		FINISH 仕上げ		DRAWN BY & DATE Eric Kao 02/03/20		CHECKED BY & DATE Wilson Chang 02/03/20		APPROVED BY & DATE Erick Lan 02/03/20		TITLE: mPGA478 SOCKET HOUSING ASS'Y		MATERIAL NO. SEE 1 OF 2		DRAWING NO. SD-67762-001		SHEET NO. 2	
										REV		WIRE RANGE 適用電線範圍		ANGLE 角度		CAD FILENAME 67762001.S02		THIS DRAWING CONTAINS INFORMATION THAT IS PROPRIETARY TO MOLEX INCORPORATED AND SHOULD NOT BE USED WITHOUT WRITTEN PERMISSION.		MOLEX MOLEX INCORPORATED		SIZE B					