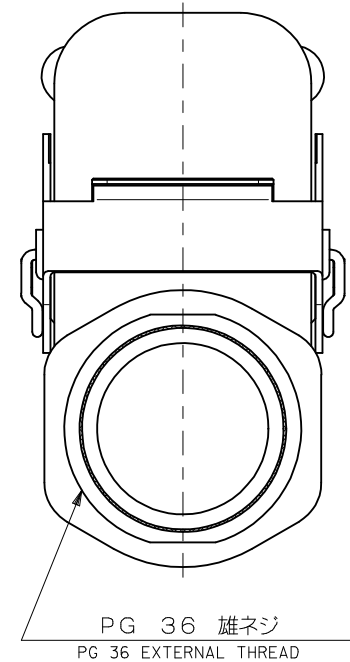
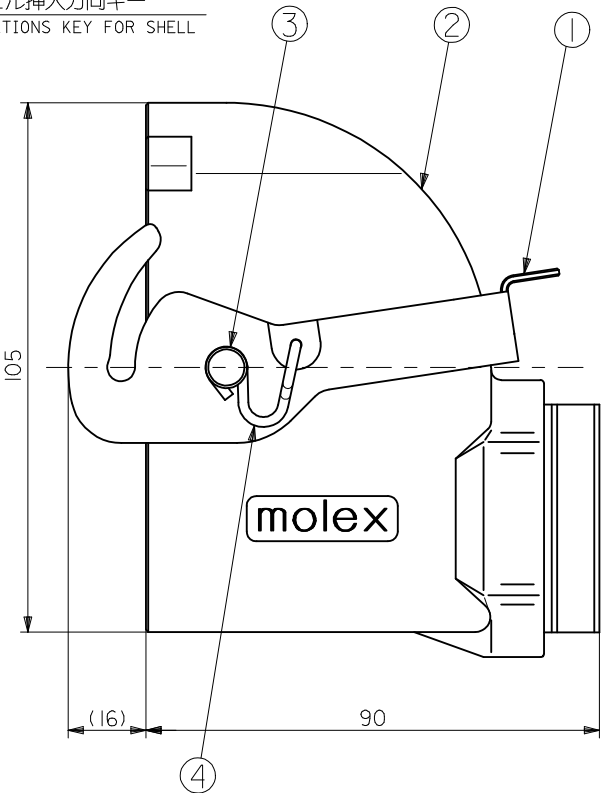
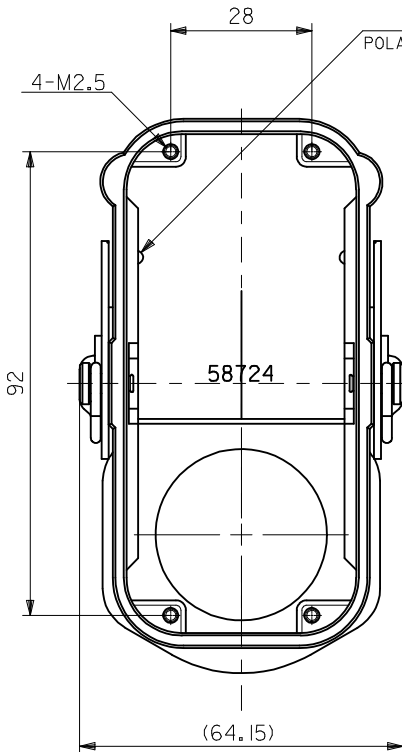


10 9 8 7 6 5 4 3 2 1

部番 No.	部品名 PART NAME	数量 QTY.	材質 MATERIAL	記事 ARTICLE
①	レバー LEVER	1	鋼 STEEL	塗装処理 PAINTING
②	プラグカバー PLUG COVER	1	アルミニウム合金 ALUMINIUM ALLOY	—#—
③	ロックピン LOCKING PIN	2	ステンレス STAINLESS STEEL	—#—
④	レバースプリング LEVER SPRING	2	ステンレス STAINLESS STEEL	—#—



注記:
NOTES:
1. 適用プラグシエルアセンブリ
APPLICABLE PLUG SEHLL ASS'Y
1) TYPE A : 58721-0010
2) TYPE B : 58721-0020
2. 適用エンドベルキャップセット
APPLICABLE END BELL CAP SET
58866-****

58723-0010	58723-0010
MATERIAL NO.	MODEL NO.

REVISED EC NO: J2009-0816 2008/11/05 DRWN:YMAEDA 2008/12/19 CHKD:NUKITA 2008/12/19 APPR:NUKITA	DESCRIPTION REV	GENERAL TOLERANCES (UNLESS SPECIFIED)		DIMENSION STYLE MM ONLY		SCALE 1:1	DESIGN UNITS METRIC		THIRD ANGLE PROJECTION		
		10 UNDER	±0.2	DRAWN BY SAKIYAMA	DATE 1998/09/14	TITLE POWER CONN 48P PLUG COVER ASS'Y					
		10 OVER 30 UNDER	±0.25	CHECKED BY YITO	DATE 1998/09/21						
		30 OVER	±0.3	APPROVED BY HIKESUGI	DATE 1998/09/21	MATERIAL NO. SEE CHART		DOCUMENT NO. SD-58723-002		SHEET NO. 1 OF 1	
		ANGULAR ±3 °		DRAFT WHERE APPLICABLE MUST REMAIN WITHIN DIMENSIONS							
SIZE A3		THIS DRAWING CONTAINS INFORMATION THAT IS PROPRIETARY TO MOLEX INCORPORATED AND SHOULD NOT BE USED WITHOUT WRITTEN PERMISSION									