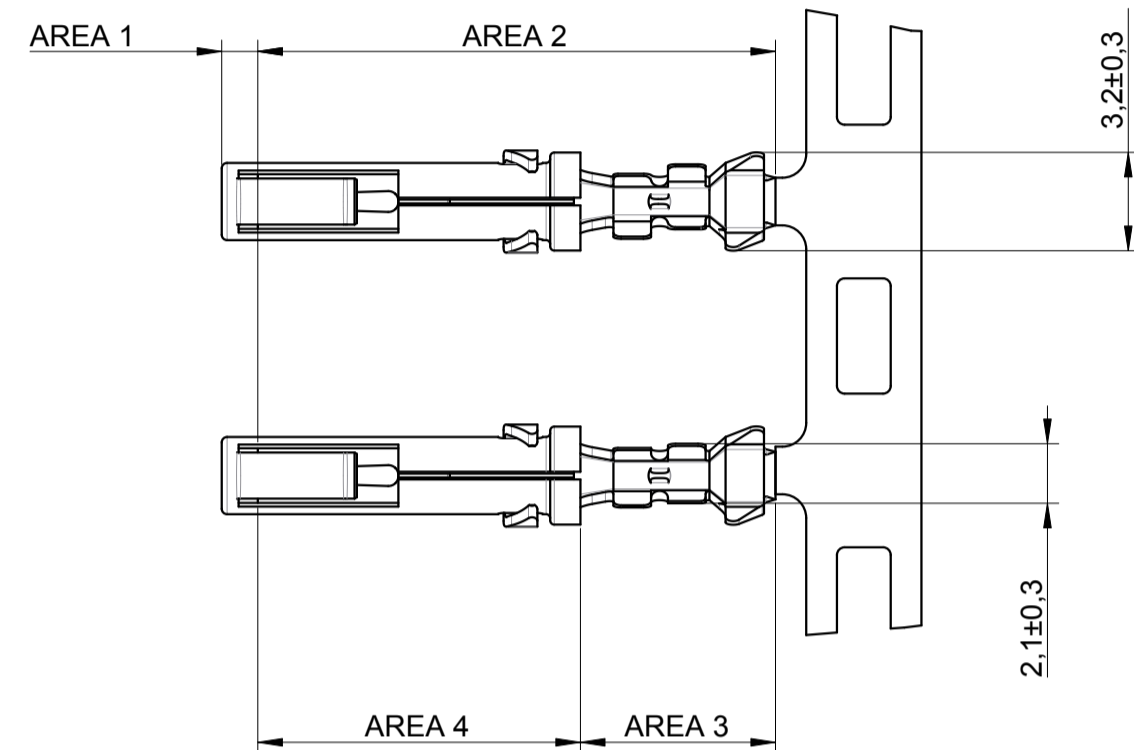
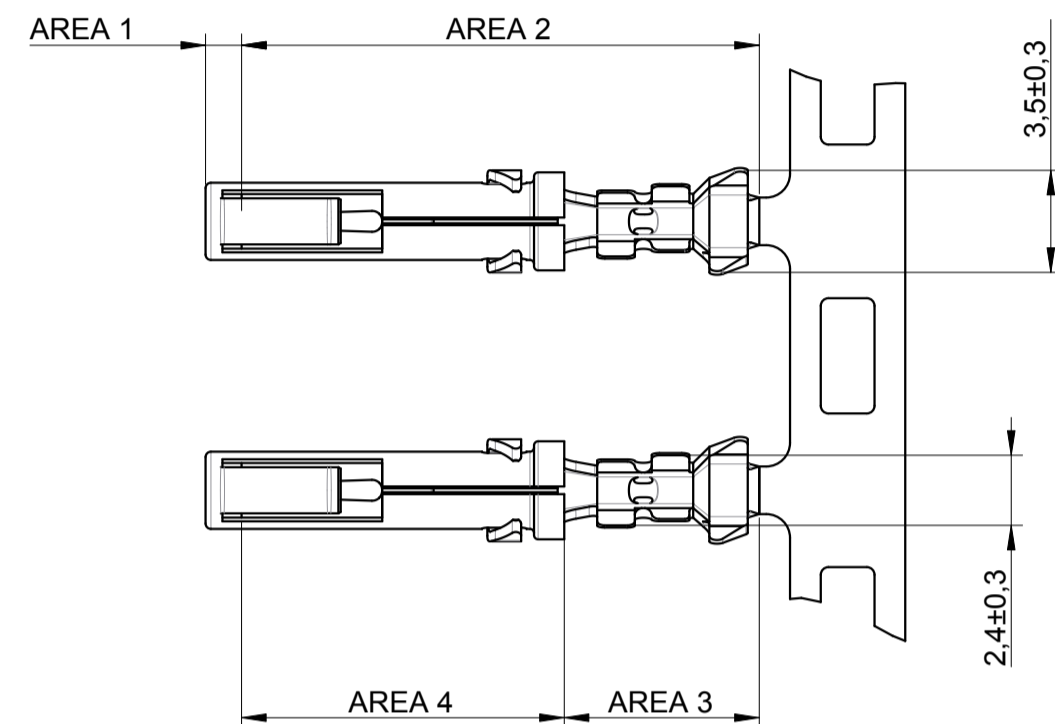


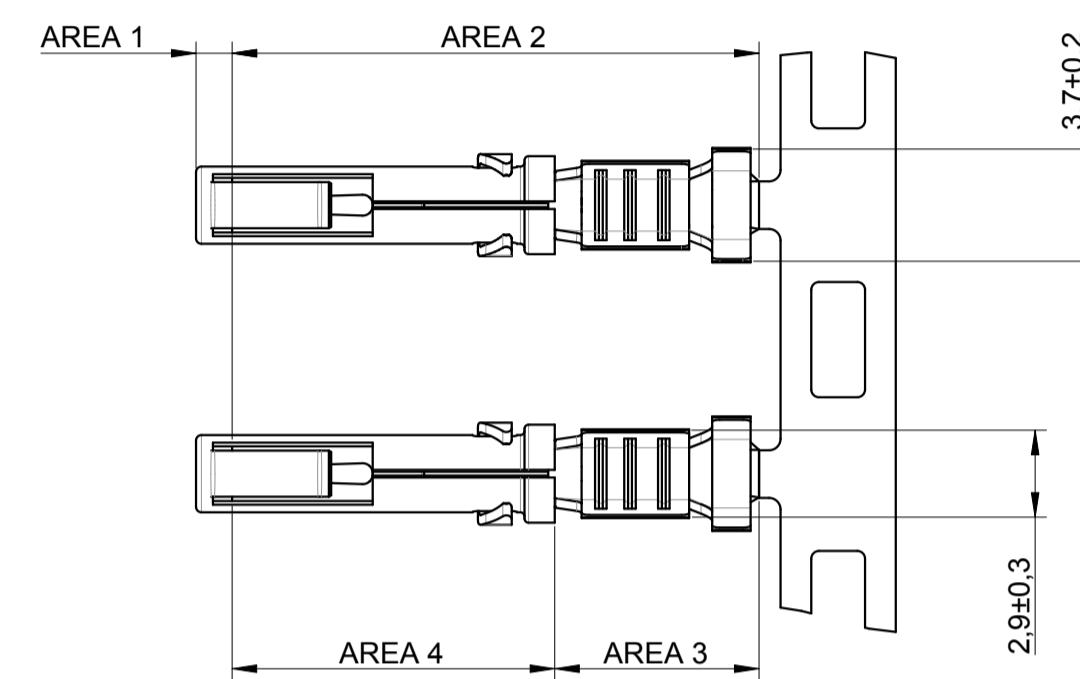
SC24M1* / SC24M1*REV



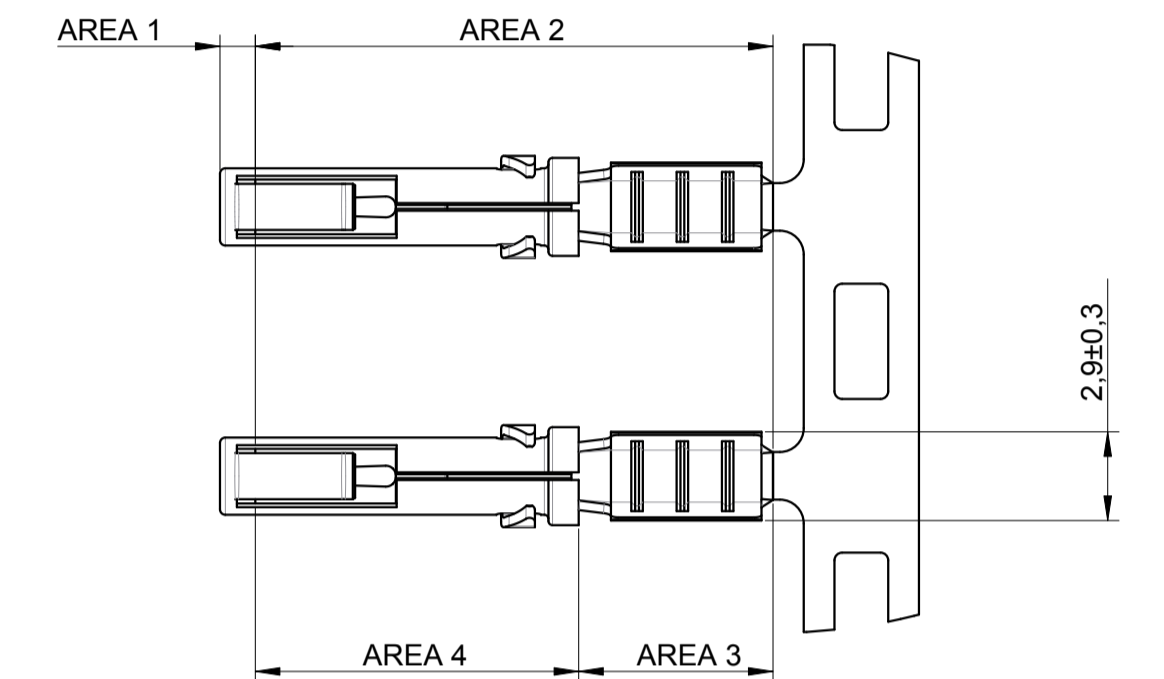
SC20M1* / SC20M1*REV



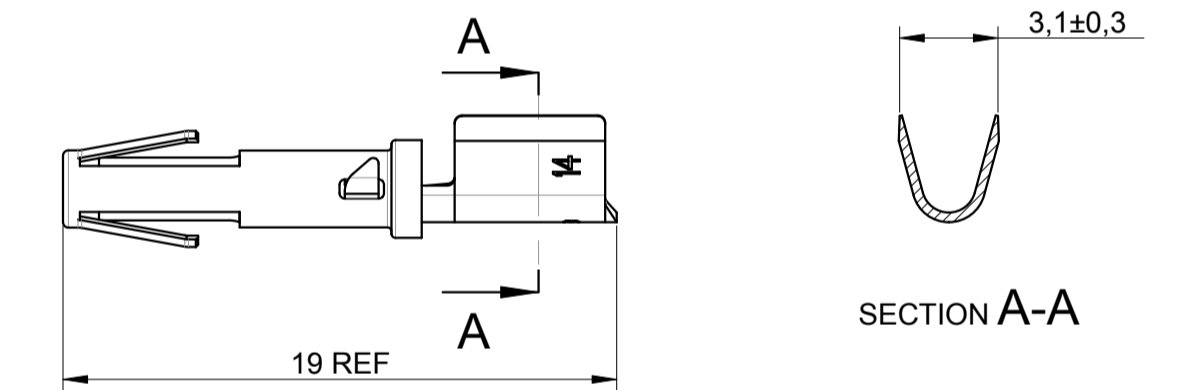
SC16M11* / SC16M11*REV



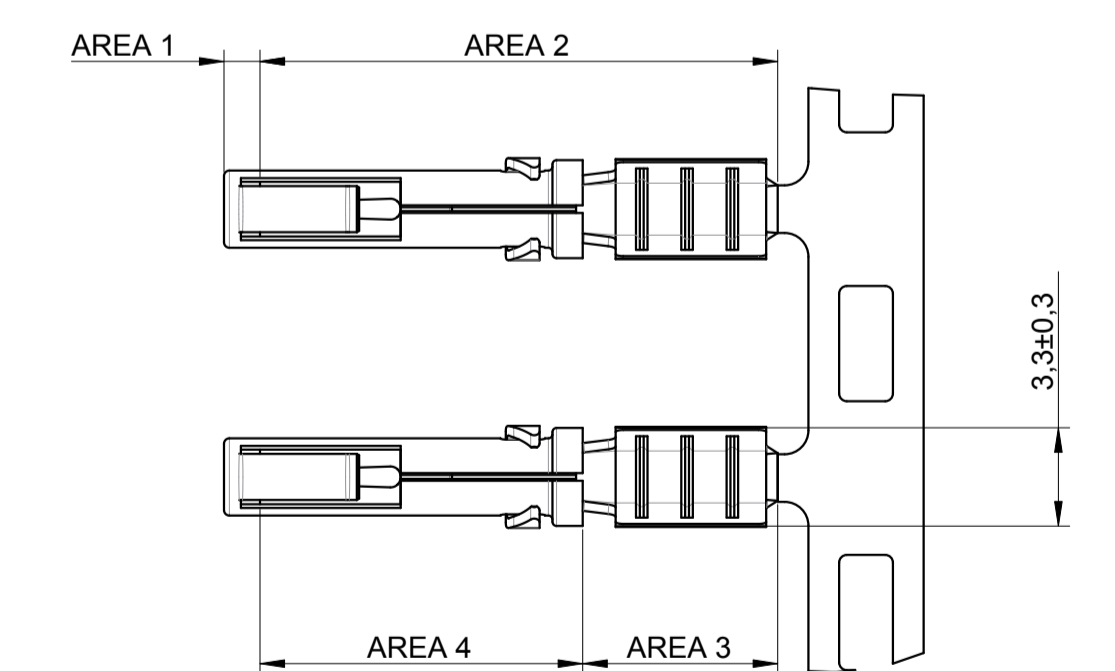
SC16M1* / SC16M1*REV



SC14ML1*



SC14M1* / SC14M1*REV



FEMALE CONTACT CAT. N°	Packaging	WIRE SIZE		WIRE INSUL. DIAM. IN MM.	WIRE STRIP LENGTH IN MM.	HAND CRIMP TOOLING		EXTRACTION TOOL
		AWG	MM²			DIE SET	HANDTOOL FOR LOOSE PIECE	
SC24ML1*	Loose contacts in platic bag	26/24	0.12/0.25	0.90/1.60	4.0	S16SCM20	SHANDLES	RX2025GE1
SC24M1* / SC24M1*REV	Strip contacts on reel							
SC20ML1*	Loose contacts in platic bag	22/20	0.32/0.50	1.20/2.10	4.0	S16SCM20	SHANDLES	
SC20M1* / SC20M1*REV	Strip contacts on reel							
SC16ML11*	Loose contacts in platic bag	18/16	0.82/1.50	3.0 Max	4.65	S16SCML11	SHANDLES	
SC16M11* / SC16M11*REV	Strip contacts on reel							
SC16ML1*	Loose contacts in platic bag	18/16	0.82/1.50	3.2 Max	6.35	S16SCML1	SHANDLES	
SC16M1* / SC16M1*REV	Strip contacts on reel							
SC14ML1*	Loose contacts in platic bag	14	2.10/2.50	3.2 Max	6.35	S16SCML1	SHANDLES	
SC14M1* / SC14M1*REV	Strip contacts on reel							

*** PLATING**

- S6 = 0.75µ GOLD MIN. OVER Ni GOLD FLASH OVER Ni	(AREA 1) (AREA 2)	For standard winding	See View
- D70 = 0.13µ GOLD MIN. OVER Ni GOLD FLASH OVER Ni	(AREA 1) (AREA 2)		
- TK6 = 0.5-2.5µ Sn PRE-PLATED	(AREA 1+2)		
- S18 = 0.75µ GOLD MIN OVER Ni 1.3µ MINI Sn OVER Ni 1.3µ MINI Ni	(AREA 1) (AREA 3) (AREA 4)	For standard winding only	See View
- S31 = GOLD FLASH OVER Ni 1.3µ MINI Sn OVER Ni 1.3µ MINI Ni	(AREA 1) (AREA 3) (AREA 4)		
- D70REV = 0.13µ GOLD MIN. OVER Ni 1.3µ MINI Sn OVER Ni 1.3µ MINI Ni	(AREA 1) (AREA 3) (AREA 4)	For reverse winding only	

CONSTRUCTION :

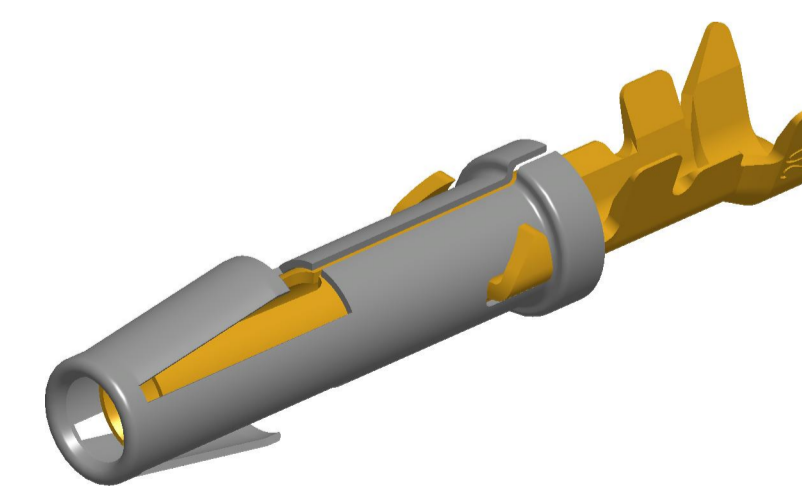
CONTACT BODY : HIGH CONDUCTIVITY COPPER ALLOY.
OUTER SPRING : STAINLESS STEEL.
PACKING CONTACTS ON STANDARD STRIP : 3000 PCS. PER REEL, E.G. SC16M11*
PACKING CONTACTS ON REVERSE STRIP : 3000 PCS. PER REEL, E.G. SC16M11*REV
FOR WINDING DIRECTION ON REEL (STANDARD OR REVERSE) : SEE BS.C.200178.004
PACKING LOOSE PIECE CONTACTS : 100 PCS PER STD. PACKING E.G. SC16ML11*

CONNECTOR ACCOMMODATION

THESE CONTACTS CAN BE USED IN ANY CONTACT POSITION IN ANY CONNECTOR IN THE TRIM TRIO INTERCONNECTION SYSTEM : MSM - MSG - MB RECTANGULAR CONN. , SMS QIKMATE CONN. , UTO - UTS - UTL - UTG AND UTP - MBG CIRCULAR CONN.

PERFORMANCE CHARACTERISTICS

CURRENT RATING : 13 A CONTACT RETENTION IN BODY : 65 N MIN.
CONTACT RESISTANCE : <= 6m Ohm INDIVIDUAL INSERTION FORCE : 3.5 N MAX.
OPERATING VOLTAGE : 750 V RMS INDIVIDUAL WITHDRAWAL FORCE : 0.55 N MIN.



ECHELLE 7/1

SOURIAU shall not be liable for any non-conformity or damage due to a use of the Products which does not comply with the Specifications issued by either of the Parties or by a third party (professional recommendation, technical notice.)

B	05/08/2019	Update of the dimensions for the "U" shape		
ISS	DATE	Update drawing		MOD N°
Designed by:	COURTOIS L.	Date:	03/04/2019	ROUILLARD Ch
CUSTOMER DRAWING				
TITLE				
FEMALE FORMED TWO PIECE CONTACT				
SC-M--				
Scale	4/1	Dimensions in mm	NPRDS / PROJECT	
		General linear	TRIM TRIO	
		Tolerances:		
		±		
SOURIAU		www.esterline-connection-technologies.com		This document is the property of SOURIAU
FORMAT		SOURIAU DRG N°		It must not be reproduced or communicated without permission
A1		BS-C-200178-002		SHEET
				1 / 1