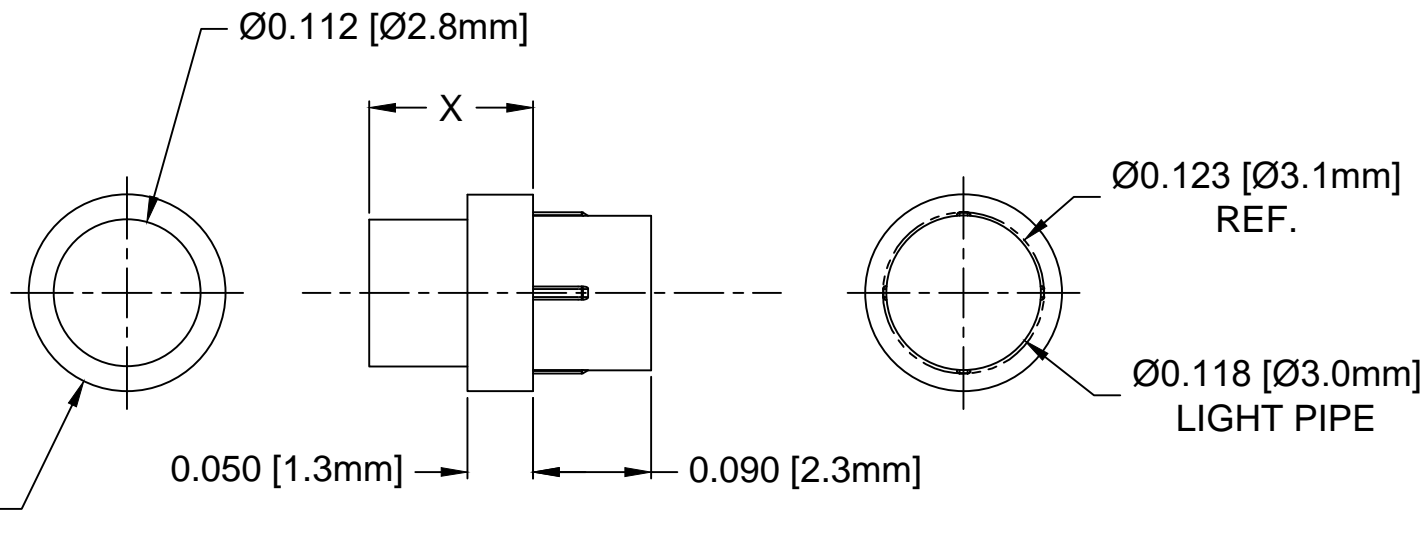
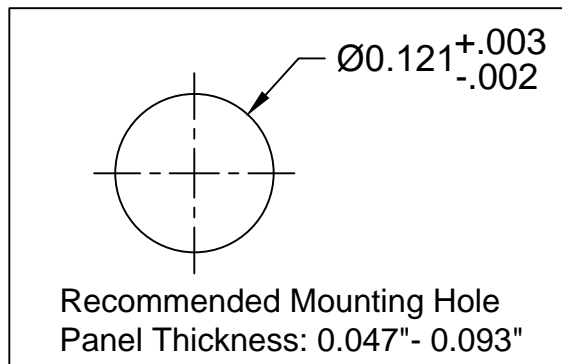


Part No.	X = Body Length
PLP1-100-F	0.100 (2.5mm)
PLP1-125-F	0.125 (3.2mm)
PLP1-188-F	0.188 (4.8mm)
PLP1-250-F	0.250 (6.4mm)
PLP1-313-F	0.313 (7.9mm)
PLP1-350-F	0.350 (8.9mm)
PLP1-375-F	0.375 (9.5mm)
PLP1-500-F	0.500 (12.7mm)
PLP1-625-F	0.625 (15.9mm)
PLP1-750-F	0.750 (19.0mm)
PLP1-830-F	0.830 (21.1mm)
PLP1-3MM-F	3mm (0.118")
PLP1-4MM-F	4mm (0.157")
PLP1-5MM-F	5mm (0.197")
PLP1-6MM-F	6mm (0.236")
PLP1-7MM-F	7mm (0.276")
PLP1-8MM-F	8mm (0.315")
PLP1-9MM-F	9mm (0.354")
PLP1-10MM-F	10mm (0.394")



BODY LENGTHS FOR CLEAR LIGHT PIPES.



2. MATERIAL: POLYCARBONATE, 94V-0, CLEAR.

1. GENERAL SPECIFICATIONS: BIVAR MOLDED COMPONENT SPECIFICATION BV00-E101 and BSMC-1001.

REV.	DESCRIPTION	DATE	APPROVED
M	Added Panel Thickness.	05/01/15	J. C.
N	Added .188" and .313" Lengths To Offering List.	05/27/15	J. C.
P	Added Metric Lengths To Offering List.	07/15/15	J. C.
R	Added Color Options, Sheet #2.	02/02/16	J. C.
T	Updated Color Options.	07/05/18	G.O.
T1	Corrected PN Assingment	10/21/20	A. V.

STANDARD TOLERANCE (UNLESS OTHERWISE SPECIFIED)		BIVAR® 4 THOMAS, IRVINE, CA. 92618 TEL: (949) 951-8808 FAX: (949) 951-3974	
DECIMALS	ANGULAR	TITLE: PRESS-FIT, PANEL MOUNT, LIGHT PIPE, FLAT TOP	
.X ± .1	X° ± 1°		
.XX ± .01			
.XXX ± .005		DESIGNED: M. CHEN	DATE: 01/16/02
		REVISOR: V. CHAVEZ	DATE: 10/21/20
		CHECKED: A. VALDEZ	DATE: 10/21/20
		PART NO: PLP1-XXX-F	REVISION: T1
		CAGE CODE: 32559	
		SCALE: 1:1	SHEET # 1 OF 2
CAD GENERATED DOCUMENT, DO NOT MEASURE DRAWING			

OTHER AVAILABLE COLORS
 * SEE TABLE FOR ORDERING INFORMATION

REV.	DESCRIPTION	DATE	APPROVED
	SEE SHEET #1		

AVAILABLE COLOR OPTIONS

PLP1 - ___ - F

RIGID LIGHT PIPE
SERIES

LENGTH

FLAT
FACE

PART NUMBER	BODY LENGTH	COLOR	Order Code
PLP1-100-F	0.100" (2.5mm)	TINTED BLUE	BE
PLP1-125-F	0.125" (3.2mm)	TINTED GREEN	GN
PLP1-2.5mm-F	2.5mm (0.100")	TINTED RED	RD
PLP1-3mm-F	3mm (0.118")	TINTED YELLOW	YW

PLP1 - ___ - F

RIGID LIGHT PIPE
SERIES

LENGTH

FLAT
FACE

PART NUMBER	BODY LENGTH	COLOR	Order Code
PLP1-100-F	0.100" (2.5mm)	DIFFUSED	D
PLP1-125-F	0.125" (3.2mm)	SMOKED	S
PLP1-2.5mm-F	2.5mm (0.100")		
PLP1-3mm-F	3mm (0.118")		

BIVAR[®]

PART NO: PLP1-XXX-F		REVISION: T1
SCALE: NONE	SHEET # 2 OF 2	
CAD GENERATED DOCUMENT, DO NOT MEASURE DRAWING		