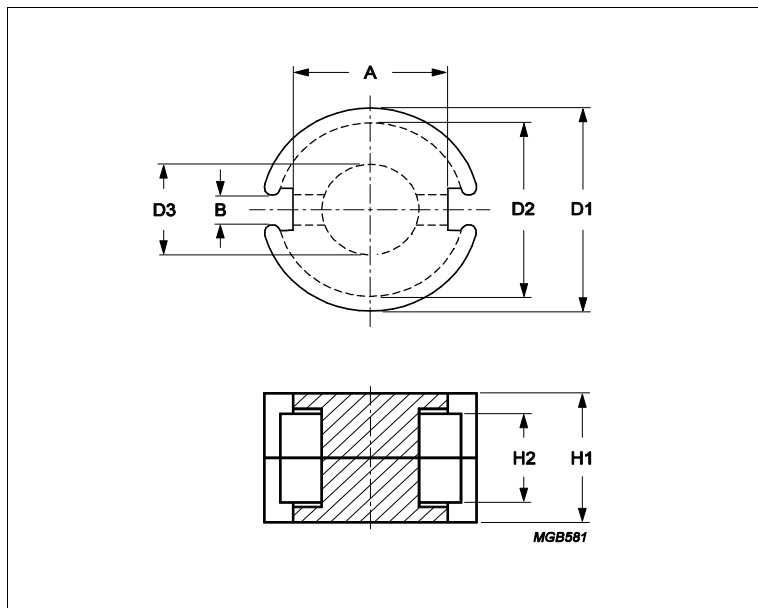


Core **P26/16/I**



Effective parameters			
	Parameter	Value	Unit
$\Sigma(I/A)$	core factor (C1)	0.36	mm ⁻¹
Ve	effective volume	4370	mm ³
Le	effective length	39.6	mm
Ae	effective area	110	mm ²
Amin	minimum area	87	mm ²
m	P26/16/I	≈ 21	g/set

Dimensions for product: P26/16/I

	Nom	Tol +	Tol -	Max	Min	Unit
A	18.00	0.40	0.40	18.40	17.60	mm
B	3.80	0.60	0.60	4.40	3.20	mm
D1	25.50	0.50	0.50	26.00	25.00	mm
D2	21.60	0.40	0.40	22.00	21.20	mm
D3	11.30	0.20	0.20	11.50	11.10	mm
H1	16.20	0.20	0.20	16.40	16.00	mm
H2	11.00	0.40	0.00	11.40	11.00	mm

Inductance factor

Material	Value	Tol +	Tol -	Unit
3C91	7000	25%	25%	nH/turns ²
3C95	7000	25%	25%	nH/turns ²
3F36	3800	25%	25%	nH/turns ²
3F46	2300	25%	25%	nH/turns ²

Power loss: 3C91

Measuring conditions			Max	Unit
100 kHz	200 mT	60 °C	2.200	W/set

Power loss: 3C95

Measuring conditions			Max	Unit
100 kHz	200 mT	100 °C	2.100	W/set
100 kHz	200 mT	25 °C	2.300	W/set

Power loss: 3F36

Measuring conditions			Max	Unit
----------------------	--	--	-----	------

Core **P26/16/I**

Power loss: 3F36

Measuring conditions			Max	Unit
500 kHz	50 mT	100 °C	0.660	W/set
500 kHz	100 mT	100 °C	5.000	W/set

Power loss: 3F46

Measuring conditions			Max	Unit
1000 kHz	50 mT	100 °C	2.300	W/set
3000 kHz	10 mT	100 °C	1.500	W/set

Bsat

Measuring conditions			Material	Min	Unit
25 kHz	250 A/m	100 °C	3C91	320	mT
25 kHz	250 A/m	100 °C	3C95	330	mT
25 kHz	250 A/m	100 °C	3F36	340	mT
25 kHz	250 A/m	100 °C	3F46	330	mT

Accessories

Ordering name	Description	Ordering code
CP-P26/16-1S	Coil former, termoplastic	432202102441
CP-P26/16-1S-A	Coil former, termoplastic	433500026201
CP-P26/16-2S	Coil former, termoplastic	432202102451
CP-P26/16-3S	Coil former, termoplastic	432202102461
CPV-P26/16-1S-6PDL-Z	Coil former, termoplastic, vertical	433506026591
CPV-P26/16-1S-6PD-Z	Coil former, termoplastic, vertical	433506026581
CPV-P26/16-2S-6PDL-Z	Coil former, termoplastic, vertical	433506026611
CPV-P26/16-3S-6PDL-Z	Coil former, termoplastic, vertical	433506026631
CPV-P26/16-3S-6PD-Z	Coil former, termoplastic, vertical	433506026621