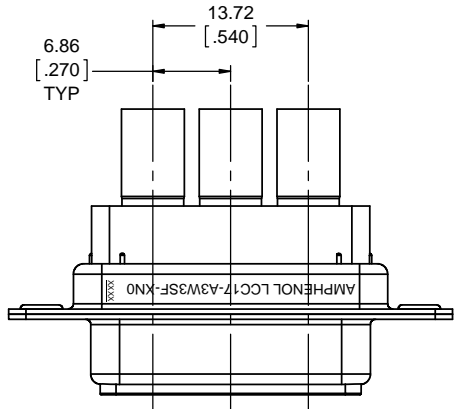
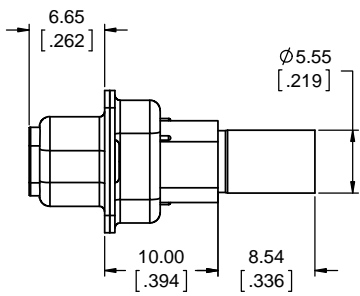
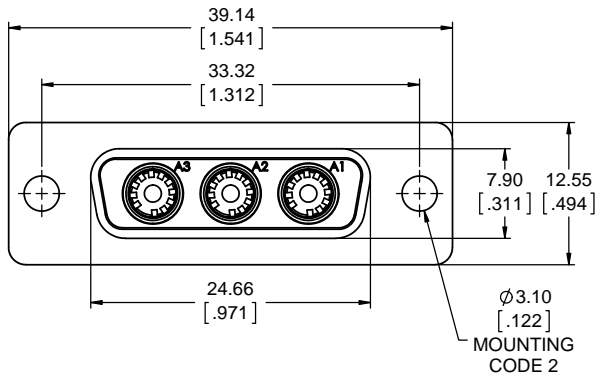
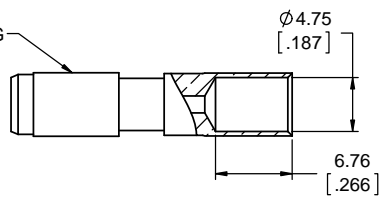


REVISIONS			
REV	DESCRIPTION, ECN, EAR NO.	DATE	APP'D
A	PROPOSAL DRAWING	JUN20/12	S.M.
B	PROPOSAL DRAWING	JUL17/13	S.M.



SOCKET ASSEMBLY TO BE INSTALLED ONLY AFTER CRIMPING



ORDERING CODE:

LCC17 - A3W3 S F - X N 0

SERIES

LCC17 = HIGH CURRENT D-SUB

ARRANGEMENT

A = SHELL SIZE
3W3 = 3 POSITION, 3 POWER

CONNECTOR STYLE

S = SOCKET

TERMINATION

F = VERTICAL CRIMP TAIL
8 AWG

MOUNTING

2 = 3.10mm [.122] DIA THROUGH HOLE
4 = #4-40 UNC THREAD

FILTER CAPACITANCE

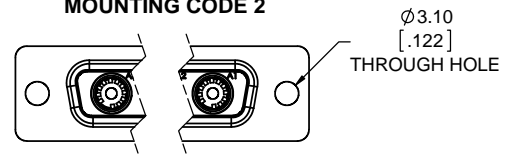
N = NO FILTERS

MODIFIER

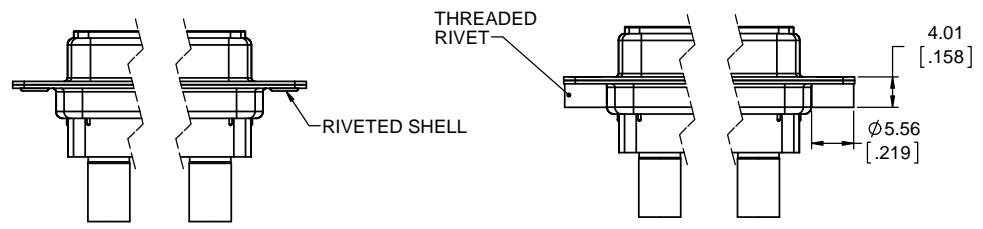
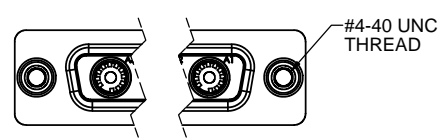
0 = STANDARD

MOUNTING OPTIONS AVAILABLE FOR SOCKET CONNECTOR

MOUNTING CODE 2



MOUNTING CODE 4



NOTES:

- MATERIALS: ALL MATERIALS ARE RoHS COMPLIANT PER EU DIRECTIVE 2011/65/EU AND AMENDMENTS.
 - SHELLS: STAMPED STEEL, TIN OVER NICKEL PLATED
 - INSULATOR: ENGINEERING THERMOPLASTIC, GLASS REINFORCED, HIGH TEMPERATURE RESISTANT, UL FLAMMABILITY RATING 94V-0, BLACK
 - SOCKET CONTACTS: BERYLLIUM COPPER MATING GRID, COPPER ALLOY PLATED WITH 0.76µm (30µ") GOLD OVER 1.27µm (50µ") NICKEL ON THE MATING AREA. COOLBAND HOLDER COPPER ALLOY PLATED WITH 0.76µm (30µ") SILVER OVER 1.27µm (50µ") NICKEL.
 - MOUNTING HARDWARE: STEEL OR COPPER ALLOY, TIN OR NICKEL PLATED
 - RETAINING CLIP: COPPER ALLOY
- ELECTRICAL CHARACTERISTICS
 - CURRENT RATING: 55 A PER CONTACT
 - CONTACT RESISTANCE: 0.25 MILLIOHMS MAX
 - DIELECTRIC WITHSTANDING VOLTAGE: 1500V DC
 - OPERATING TEMPERATURE: -40 °C TO +105 °C

UNLESS SPECIFIED OTHERWISE	DRAWN J.VANDERWINDT	JUN20/12
PRIMARY UNITS MILLIMETERS	CHECKED S.MUGAN	JUN20/12
SECONDARY UNITS INCHES	M.E. APP'D	
REFERENCE IN PARENTHESES	Q.A. APP'D	
GENERAL TOLERANCES	DWG APPR.	
1 DECIMAL PLACE	ENG. REL. NO.	
2 DECIMAL PLACES	REF.	
3 DECIMAL PLACES	THIRD ANGLE PROJECTION	DO NOT SCALE DRAWING
ANGULAR DEGREES		

Amphenol Canada Corp.
www.amphenolcanada.com

LCC17 COOLPOWER D-SUB CONNECTOR, 3W3 ARRANGEMENT, 8 AWG VERTICAL CRIMP TAIL, RoHS COMPLIANT

DWG. NO. **P-LCC17-A3W3SF-XN0** REV **B**

CODE ID NO. 03554 DWG SIZE: X SCALE: 3:1 SHEET 1 OF 1