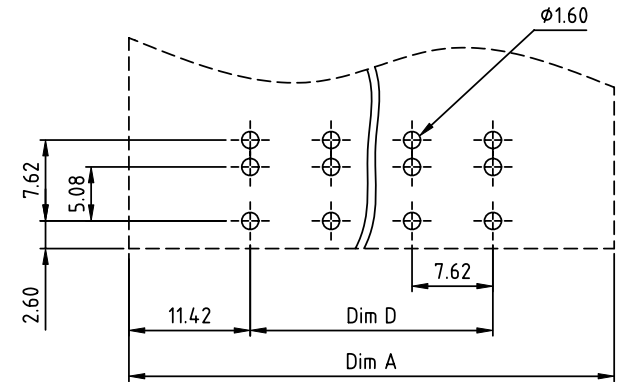
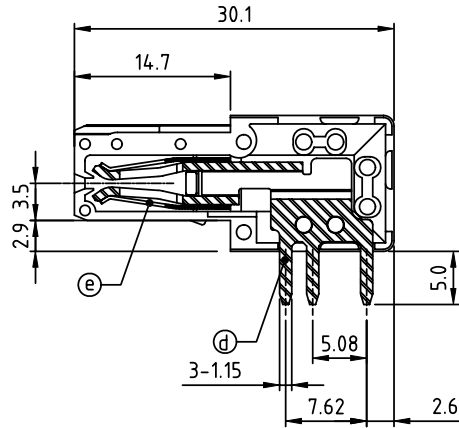
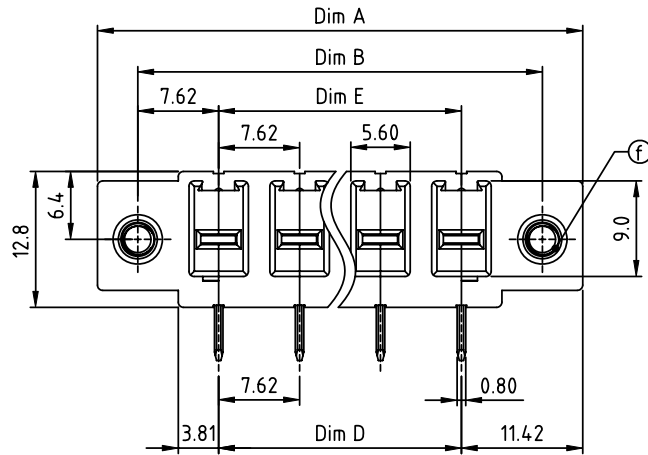
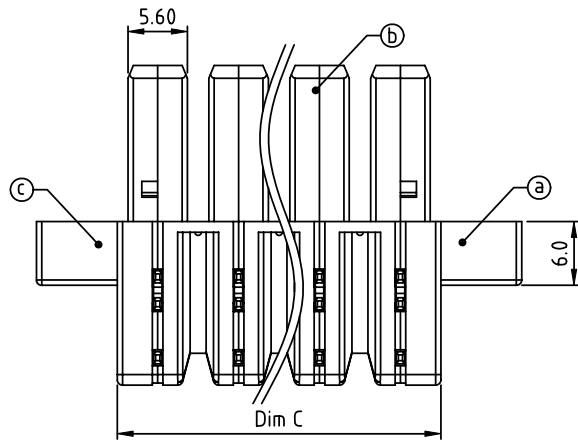


PRODUCT NUMBER	PITCH
KSxx02x200J0G	7.62 mm



RECOMMENDED P.C.B LAYOUT  
TOP VIEW



Material:

- Item ① Left Cover :Thermoplastic (UL94 - V0)
- Item ② Middle Body :Thermoplastic (UL94 - V0)
- Item ③ Right Cover :Thermoplastic (UL94 - V0)
- Item ④ Pin: Copper Tin plated
- Item ⑤ Wire guard:Stainless Steel (ET 7.62)
- Item ⑥ Flange Nut: Steel, Zinc plated M3 (VC 7.62)

Electrical: cULus

- Voltage rating: 300V
- Current rating: 41A
- Withstanding Voltage:1.6 KV
- Operating temperature:-40°C to +115°C
- Soldering temperature:260°C±5°C/5 Sec
- Safety approval: cULus

N=Number of poles

Dim A	(N+2) × 7.62
Dim B	(N+1) × 7.62
Dim C	N × 7.62
Dim D	(N-1) × 7.62
Dim E	(N-1) × 7.62

Poles	Tolerance
2P-5P	±0.30
6P-8P	±0.35
9P-12P	±0.40
13P-16P	±0.50

PART NO.: **KSxx02x200J0G**

End stackable	0	Black (RAL9005)	RoHS compliant (lead<4%) In copper Alloy
No. of poles	2	Red (RAL3001/D)	
02	2 poles	3 Orange(RAL2011/P)	
03	3 poles	4 Yellow(RAL1018/A)	
...	...	5 Green(RAL6018/T)	
16	16 poles	6 Blue (RAL5015/A)	
		8 Grey(RAL7035/D)	
		9 White(RAL1102)	
		C Green(RAL6018/U)	

mat'l. code		surface ASME Y14.5	tolerance ASME Y14.5	projection	product family
ltr	ecn no	dr	date	MM	TERMINAL BLOCK
tolerances unless otherwise specified				MM	title
angles	0.1	X.±0.5		scale	TERMINAL BLOCK
0.1	0.1	X.X±0.3			PLUGGABLE PLUG, WITH SOLDER PIN, WITH FLANGE
X*±1"	0.1	X.XX±0.1			RIGHT ANGLE, MOUNTING ONTO THE PCB
dr	EVIN ZHONG	050614		FCI	dwg no
enrg	EVIN ZHONG	050614			sheet 1 of 1
chr	HANKE FENG	050614			size
appd	SHI JUN	050614			A4
sheet index	revision	A			type
	sheet	1			CUSTOMER Drawing