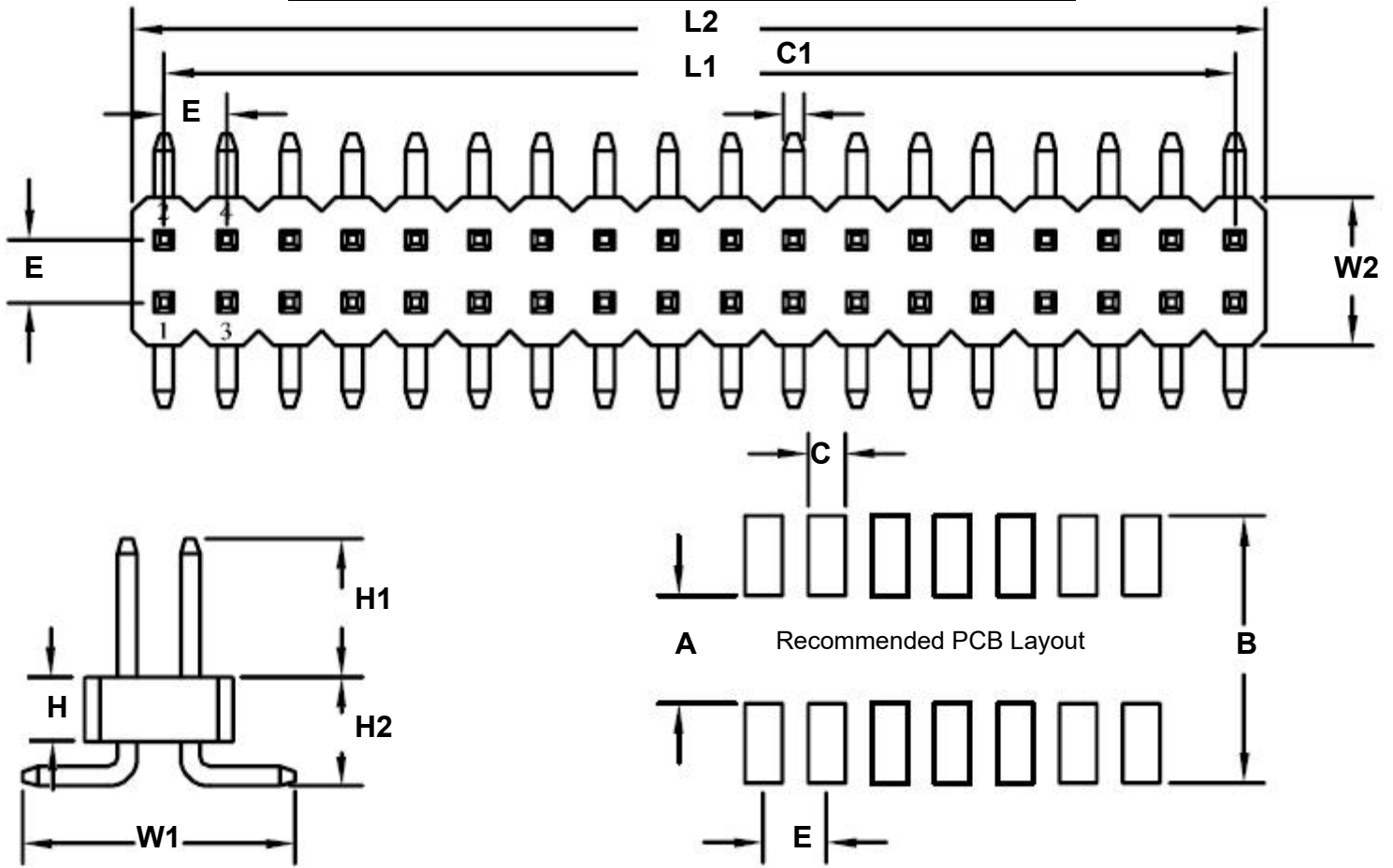


2.00 mm 80 pin Vertical Male Header Surface Mount Gold

REF.	DIMENSIONS					
	mm			inches		
	MIN.	TYP.	MAX.	MIN.	TYP.	MAX.
A		1.50				
B		7.20				
C		0.89				
C1		0.50				
E		2.00				
H		2.00				
H1		4.00				
H2		2.20				
L1		78.00				
L2		80.00				
W1		6.20				
W2		4.00				



SPECIFICATIONS

Plastic body construction: PA6T plastic (320°C melting point)

Pin construction: Gold plated (brass pin, with 1um gold over 50um nickel)

Operating temperature range: -40°C to +130°C

Reflow maximum temperature: +260°C