



Since 1959

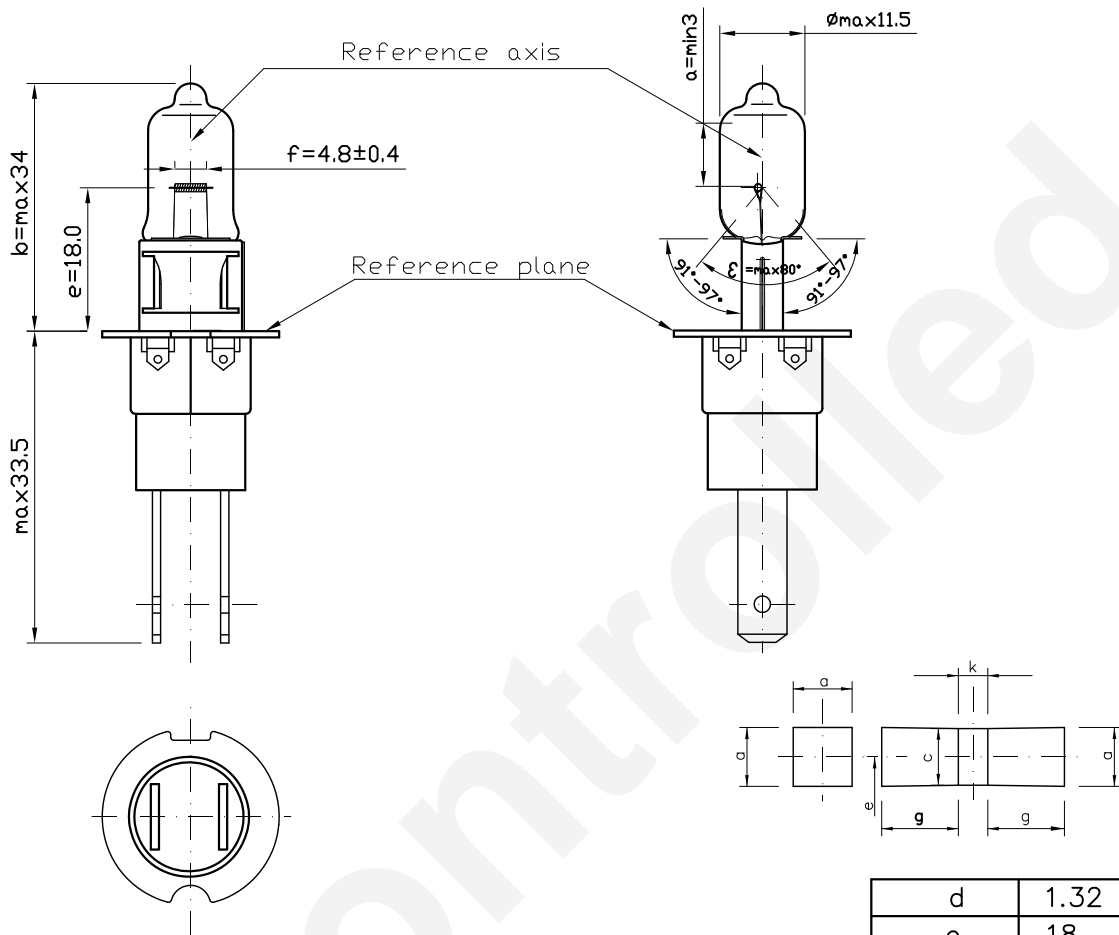
Product Information Sheet

H3C 12V 55W

H3C 55W

2013. 04. 10 NEW

2009. 06. 01 OLD



d	1.32 nom
e	18
f	4.8 ±0.4

a	c	k	g
1.8d	1.6d	1	2.60

Halogen bulb
 H3C 12V 55W
 Cap: ¹⁾ PK22d/5
 Type: SPECIAL
 ECE R37 None
 FMVSS108 None
 Bulb mat.: Quartz glass
 Made in koraе

1) according to IEC 61-1 sheet 7004-47

Technical data	
Test voltage	13.2V
Power	68W max.
Luminous flux	1450lm ±15%
Lumen maintenance	90 % min
Rated life:	at 13.2V
-characteristic Tc	400 h min
-B3	150 h min

Maximum operating temperature: 1:bulb 800°C max
 2:pinch 400°C max