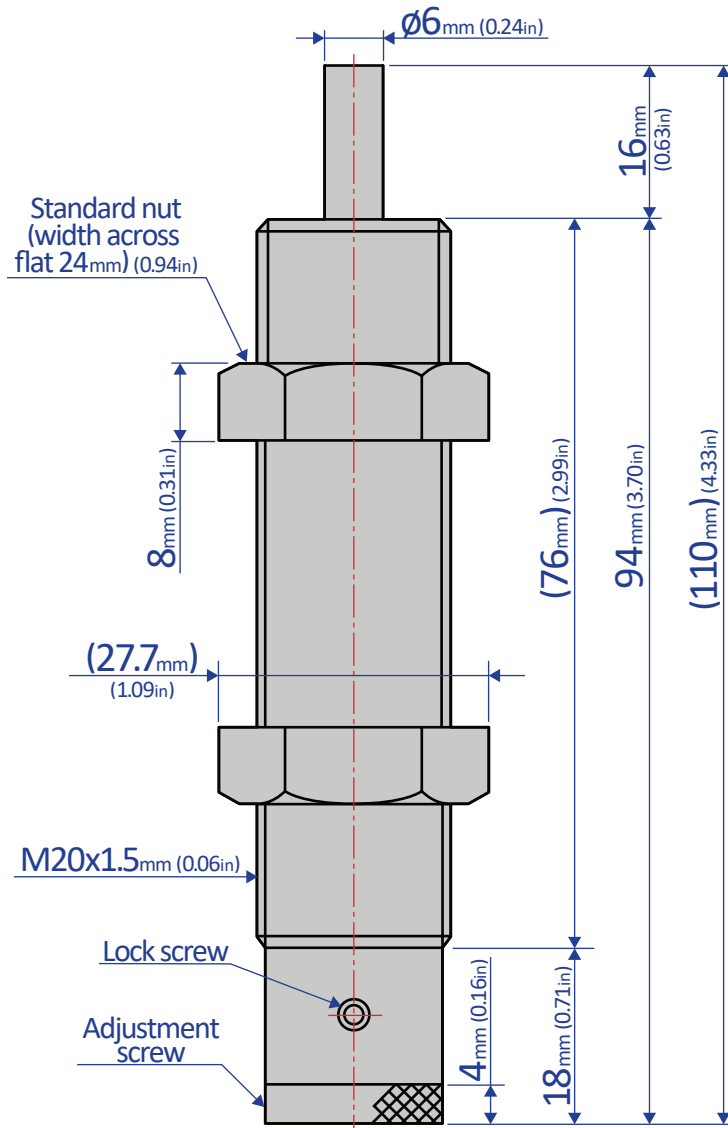


# FA-2016EB-S

## SHOCK ABSORBER - ADJUSTABLE



**Bansbach**  
*easylift*<sup>®</sup>

Vest Drive • Melbourne, Florida 32904  
www.easylift.com • www.damper.net