

RELY ON MORE **SENSES**



RADAR TECHNOLOGY FOR YOUR
TOUCHLESS SWITCH APPLICATION

INTEGRATION

- the IMD-3000 can be easily integrated into existing infrastructure
- the system outputs a trigger on open collector when an object is detected in front of the sensor
- the detection range can be adjusted via potentiometer on-site
- firmware updates are possible via UART

AVAILABLE IN TWO FUNCTIONALITIES

FUNCTIONALITY 1: detection of various hand movements triggers a short impulse

FUNCTIONALITY 2: as long an object is in front of the sensor the impulse is triggered

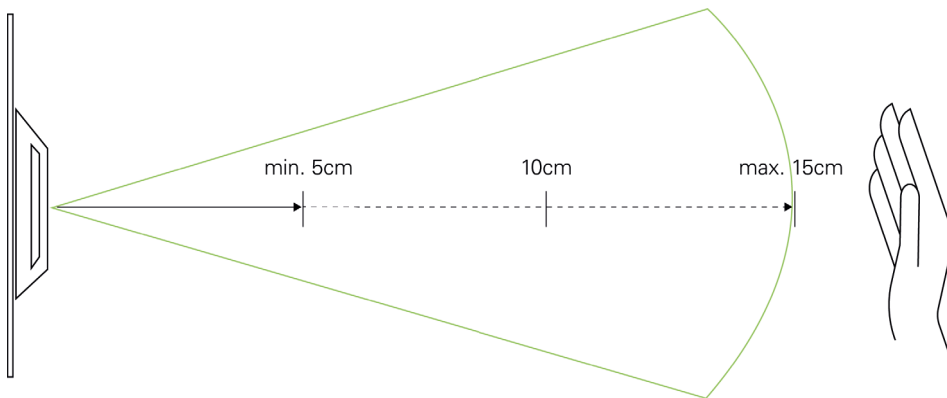


Figure shows: adjustable detection range

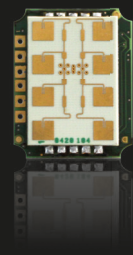


IMD-3000 RADARSYSTEM TOUCHLESS SWITCH

The IMD-3000 is a contact-free alternative for push buttons.

HIGHLIGHTS & APPLICATION BENEFITS

- small design allows retrofit of existing facilities, e.g. ticket machines, manual door openers, light switches etc.
- includes a processing unit that converts the radar signal into a digital trigger if an object is detected in front of the sensor
- performance is unaffected by hand coverings like gloves
- radar technology is unaffected by lighting conditions
- optimized for detecting a hand movement, objects like cars do not trigger the function



TECHNICAL DATA

- detection range adjustable from 5cm (min.) up to 15cm (max.)
- vast range of input voltages from 4-30V
- supply current typ. 18mA @ 12V
- outline dimensions 25x20x6.9mm