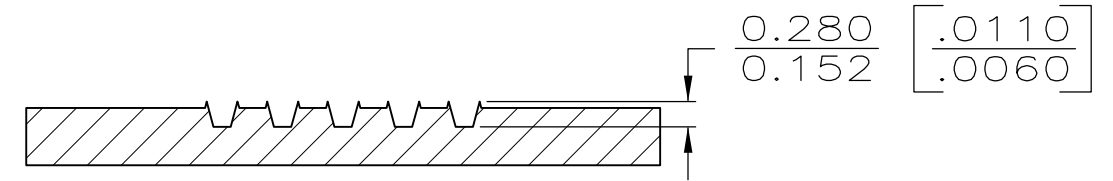
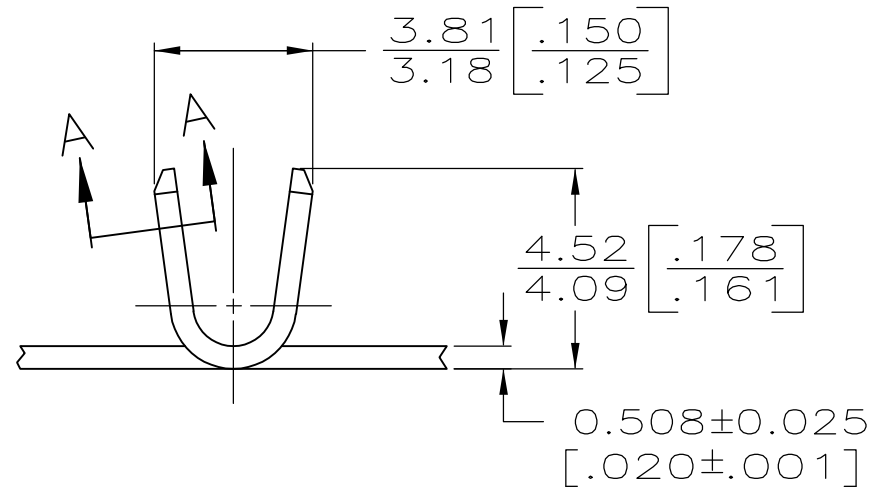
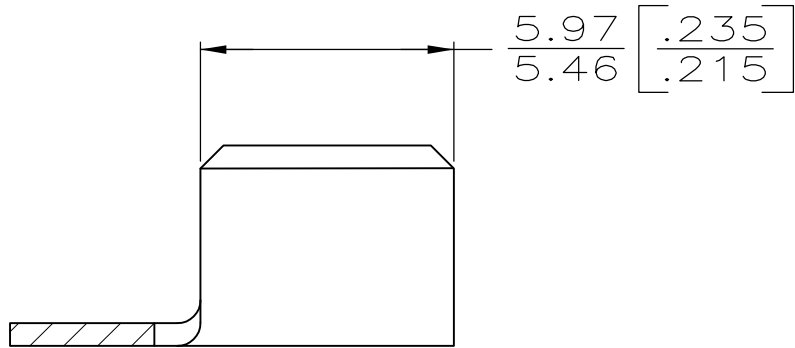
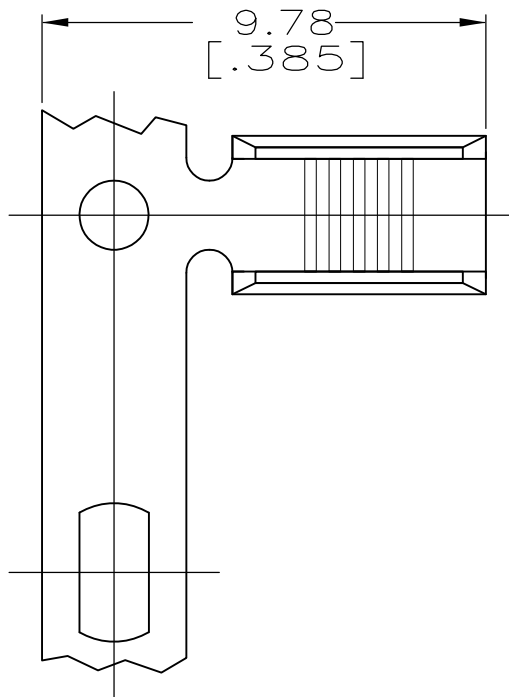


THIS DRAWING IS UNPUBLISHED. RELEASED FOR PUBLICATION  
 © COPYRIGHT BY TYCO ELECTRONICS CORPORATION. ALL INTERNATIONAL RIGHTS RESERVED.

| LOC | DIST | REVISIONS                 |         |     |      |
|-----|------|---------------------------|---------|-----|------|
| P   | LTR  | DESCRIPTION               | DATE    | DWN | APVD |
| AF  | 50   |                           |         |     |      |
|     | C1   | REVISED PER ECR-10-001322 | 23JAN10 | HMR | GP   |
|     | D    | ECR-13-004361             | 05AUG13 | XJ  | DZ   |



SECTION A-A  
 SCALE 15:1  
 ROTATED

- 1 CONTINUOUS STRIP ON REELS.
- 2 CRIMP WIDTH = .110 F TYPE (AMPLIVAR THRU )  
 CRIMP HEIGHT (±.002) = (TOTAL CMA + 11,500) / 194,200  
 GENERAL APPLICATION GUIDELINES MUST BE FOLLOWED  
 AS SPECIFIED IN CATALOG #82221  
 FOR APPLICATOR INFORMATION CALL: 1-800-722-1111  
 FOR PRODUCT INFORMATION CALL: 1-800-522-6752
- 3 TIN 112-16-3 0.00203 [.000080] MIN THK

|                 |           |
|-----------------|-----------|
| 2 2000-5400 CMA | 3 63564-3 |
|                 | 63564-1   |
| WIRE RANGE      | PART NO   |

|  |   |                                     |   |               |
|--|---|-------------------------------------|---|---------------|
| THIS DRAWING IS A CONTROLLED DOCUMENT. |   | DWN<br>MICHAEL S. FEHER<br>12/20/89 | Tyco Electronics Corporation<br>Harrisburg, PA 17105-3608 |               |
| DIMENSIONS:<br>mm [INCHES]             | TOLERANCES UNLESS<br>OTHERWISE SPECIFIED: | CHK<br>P. FORTNEY<br>12/21/89       | NAME<br>SPLICE, AMPLIVAR,<br>5 SERRATIONS                 |               |
|  | 0 PLC ± -                                 | APVD<br>T.L. SHUTTER<br>1/2/90      | PRODUCT SPEC  |               |
|  | 1 PLC ± -                                 | APPLICATION SPEC                    | 114-2009  | RESTRICTED TO |
|  | 2 PLC ± -                                 | WEIGHT                              | -   |               |
|  | 3 PLC ± 0.25 [.010]                       | CUSTOMER DRAWING                    |   |               |
|  | 4 PLC ± -                                 | SCALE                               | 6:1   | SHEET         |
|  | ANGLES ± -                                | SIZE                                | A3  | CAGE CODE     |
| MATERIAL                               | FINISH                                    | DRAWING NO                          | C-63564   | REV           |
| BRASS                                  | -   | SCALE                               | 6:1   | 1 OF 1        |

