

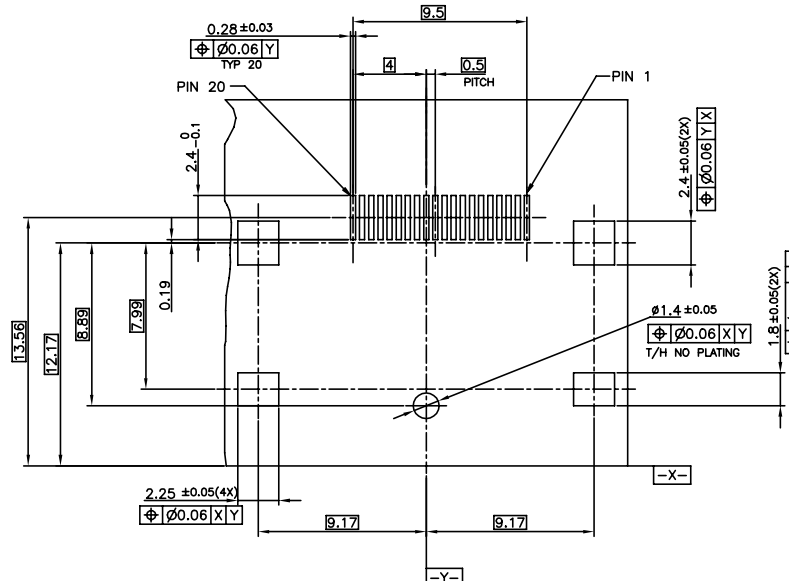
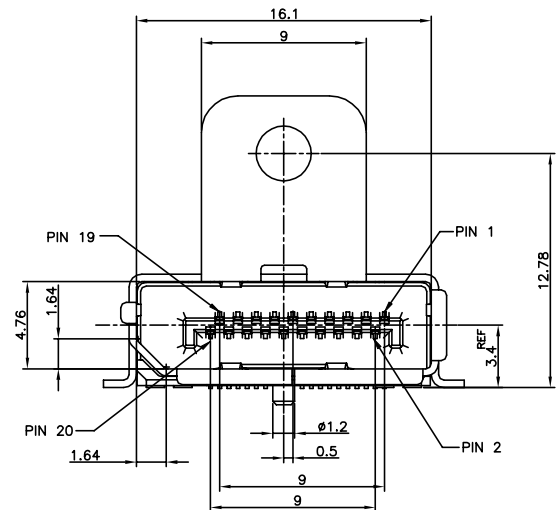
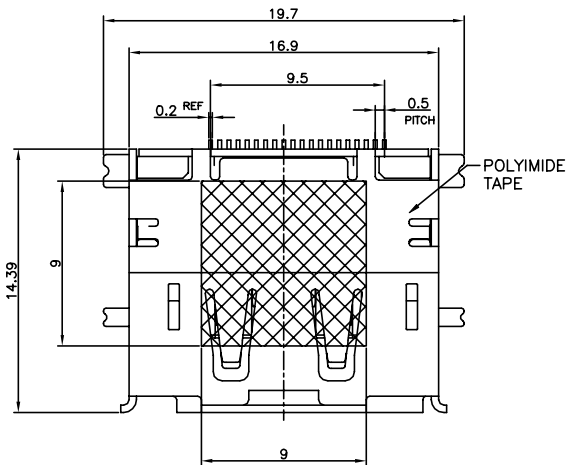
4

3

2

1

REVISIONS				
P	LTR	DESCRIPTION	DATE	APPD
E		REVISED PER ECO-21-005727	25MAY2021	AK SZ



RECOMMENDED PCB LAYOUT MOUNTING SIDE

FULL R TYP

(INCLUDE ALL CONTACTS AND SHELL'S SOLDER PEGS) - BEFORE REFLOW

(INCLUDE ALL CONTACTS AND SHELL'S SOLDER PEGS) - AFTER REFLOW

- △ MATERIAL:
HOUSING: HIGH TEMPERATURE THERMAL PLASTIC, BLACK, UL94V-0
CONTACT: COPPER ALLOY
SHELL: COPPER ALLOY
- △ FINISH:
CONTACT: CONTACT AREA: 0.76 MINIMUM MICRON GOLD PLATING OVER
1.27 MINIMUM MICRON NICKEL PLATING ALL
SOLDER TAIL AREA: 2.54 MINIMUM MICRON MATTE TIN PLATING.
SHELL: MATTE TIN PLATING.

- 3 THIS PRODUCT IS PACKED IN REEL.
- 4 HALOGEN FREE.

OBSELETE	WITH	5-2040247-5
	WITHOUT	2040247-5
	POLYIMIDE TAPE	PART NUMBER

THIS DRAWING IS A CONTROLLED DOCUMENT.		DWG Y.HIRATA 15FEB2008	TE Connectivity Ltd.
DIMENSIONS: 公差: 萬 mm		CHK T.KUSUHARA 15FEB2008	
TOLERANCES UNLESS OTHERWISE SPECIFIED: 公差 萬 mm		APPD T.KUSUHARA 15FEB2008	NAME 名稱
0 PLC ± 0.3 1 PLC ± 0.3 2 PLC ± 0.3 3 PLC ± 0.3 4 PLC ± 0.3 ANGLES 角度 萬 °		PRODUCT SPEC 製品規格 108-78515	RECEPTACLE ASSEMBLY DISPLAYPORT RA SMT STD SMT-LEG WITH FLANGE
MATERIAL 材料	FINISH 仕上	WEIGHT 2.82g	SIZE 尺碼 A2
		CAGE CODE 00779	DRAWING NO C=2040247
		CUSTOMER DRAWING	RESTRICTED TO
		SCALE 尺碼 5:1	SHEET 1 of 3 REV E

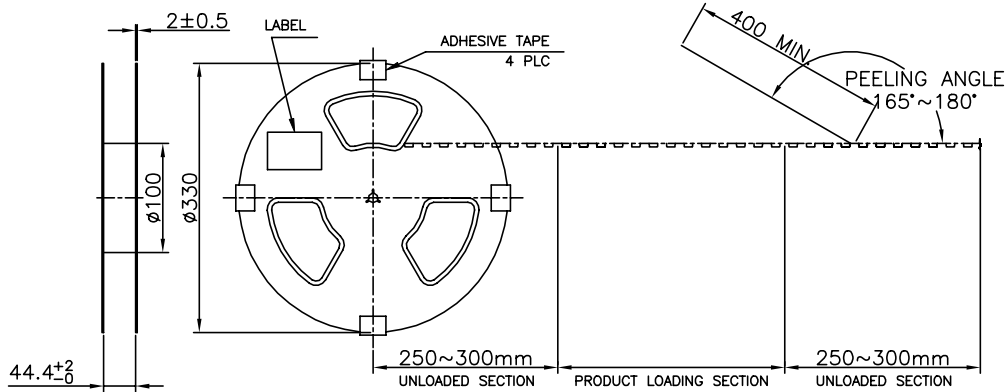
4

3

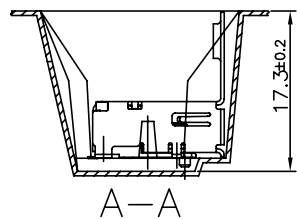
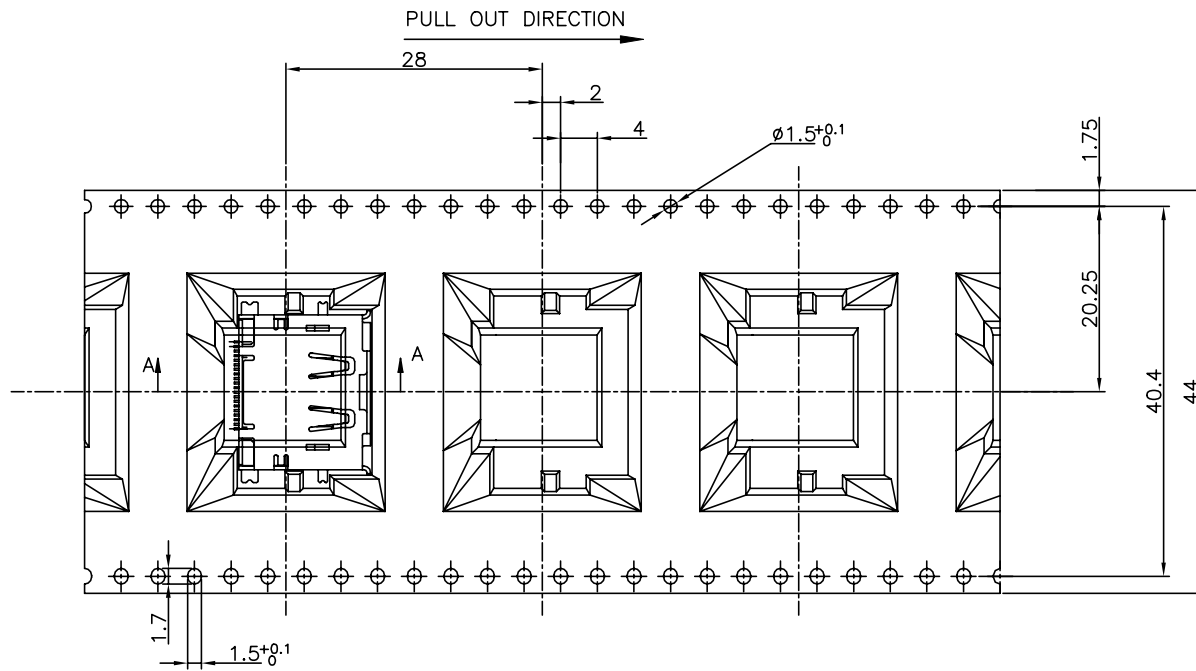
2

1

REVISIONS					
P	LTR	DESCRIPTION	DATE	DWN	APVD
-	-	SEE SHEET 1	-	-	-



PACKING FOR 2040247-5



THIS DRAWING IS A CONTROLLED DOCUMENT.		DWN	TE Connectivity Ltd.		
DIMENSIONS: 單位: 毫米		CHK			
TOLERANCES UNLESS OTHERWISE SPECIFIED: 公差		APVD	NAME 名稱		
0 PLC ± 0.3 1 PLC ± 0.3 2 PLC ± 0.3 3 PLC ± 0.3 4 PLC ± 0.3		PRODUCT SPEC 製品規格	RECEPTACLE ASSEMBLY DISPLAYPORT RA SMT STD SMT-LEG WITH FLANGE		
FINISH 仕上		APPLICATION SPEC 零件適用規格	SIZE A2	CAGE CODE 00779	DRAWING NO. 2040247
MATERIAL 材料		WEIGHT	RESTRICTED TO		
		CUSTOMER DRAWING	SCALE 尺碼 NTS	SHEET 2 of 3	REV E

2040247

4

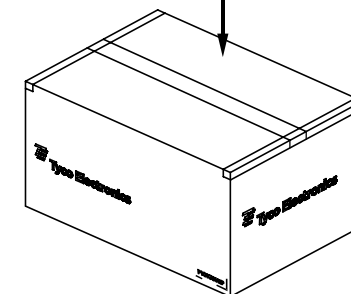
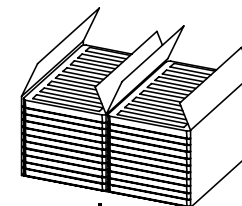
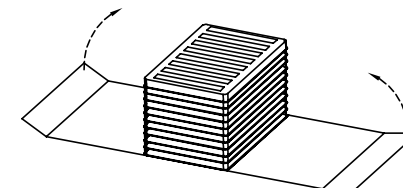
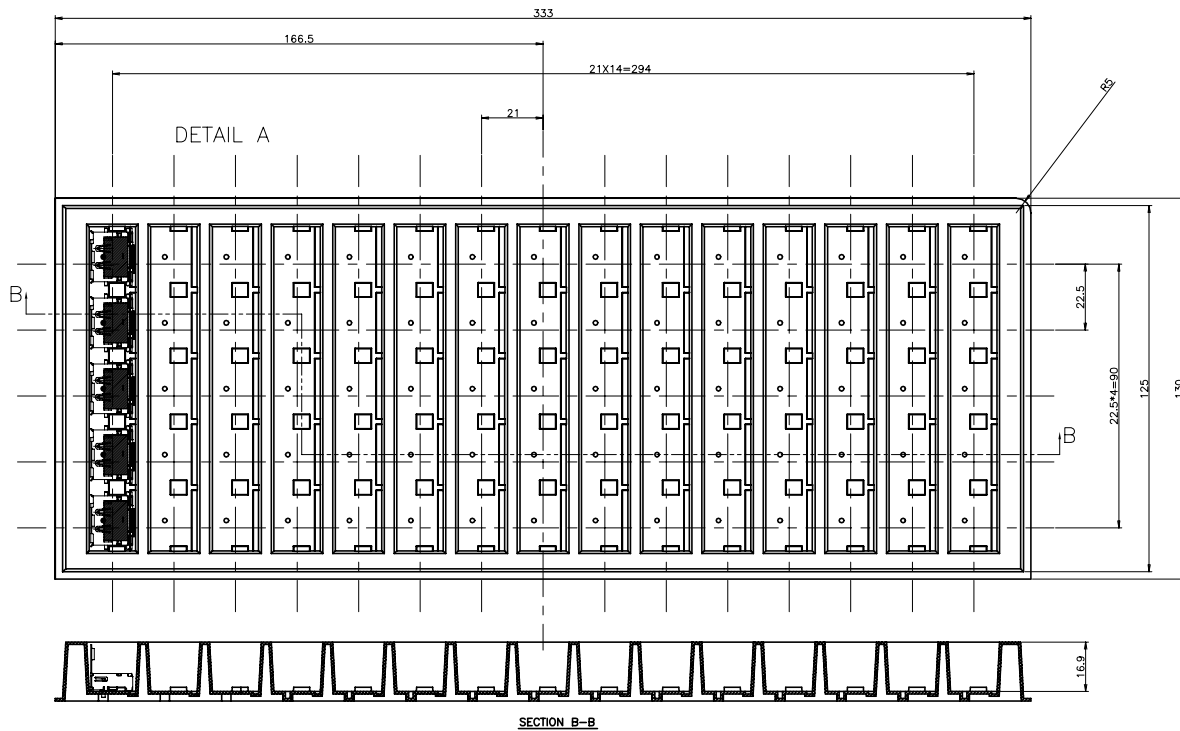
3

2

1

REVISIONS					
P	LTR	DESCRIPTION	DATE	DWN	APVD
-	-	SEE SHEET 1	-	-	-

PACKING FOR 5-2040247-5



OBSOLETE

- 1. PACKING MATERIAL :
 - 1.1 TRAY: PS
 - 1.2 SHIPPING CARTON: CORRUGATED FIBER
- 2. QUANTITY :
 - 2.1 PRIMARY PACKING: 75 PCS/TRAY
 - 2.2 SECONDARY PACKING: 20 TRAY (1500 PCS)/BOX

THIS DRAWING IS A CONTROLLED DOCUMENT.		DWN	14P2B2008	TE Connectivity Ltd.	
DIMENSIONS: 單位: 毫米 mm		CHK		RECEPTACLE ASSEMBLY DISPLAYPORT RA SMT STD SMT-LEG WITH FLANGE	
TOLERANCES UNLESS OTHERWISE SPECIFIED: 公差		APVD		SIZE	A2
0 PLC ± 0.3		PRODUCT SPEC		CAGE CODE	00779
1 PLC ± 0.3		APPLICATION SPEC		DRAWING NO	2040247
2 PLC ± 0.3		FINISH		RESTRICTED TO	
3 PLC ± 0.3		ANGLES		SCALE	NTS
4 PLC ± 0.3				SHEET	3 of 3
MATERIAL		WEIGHT		REV	E
CUSTOMER DRAWING					