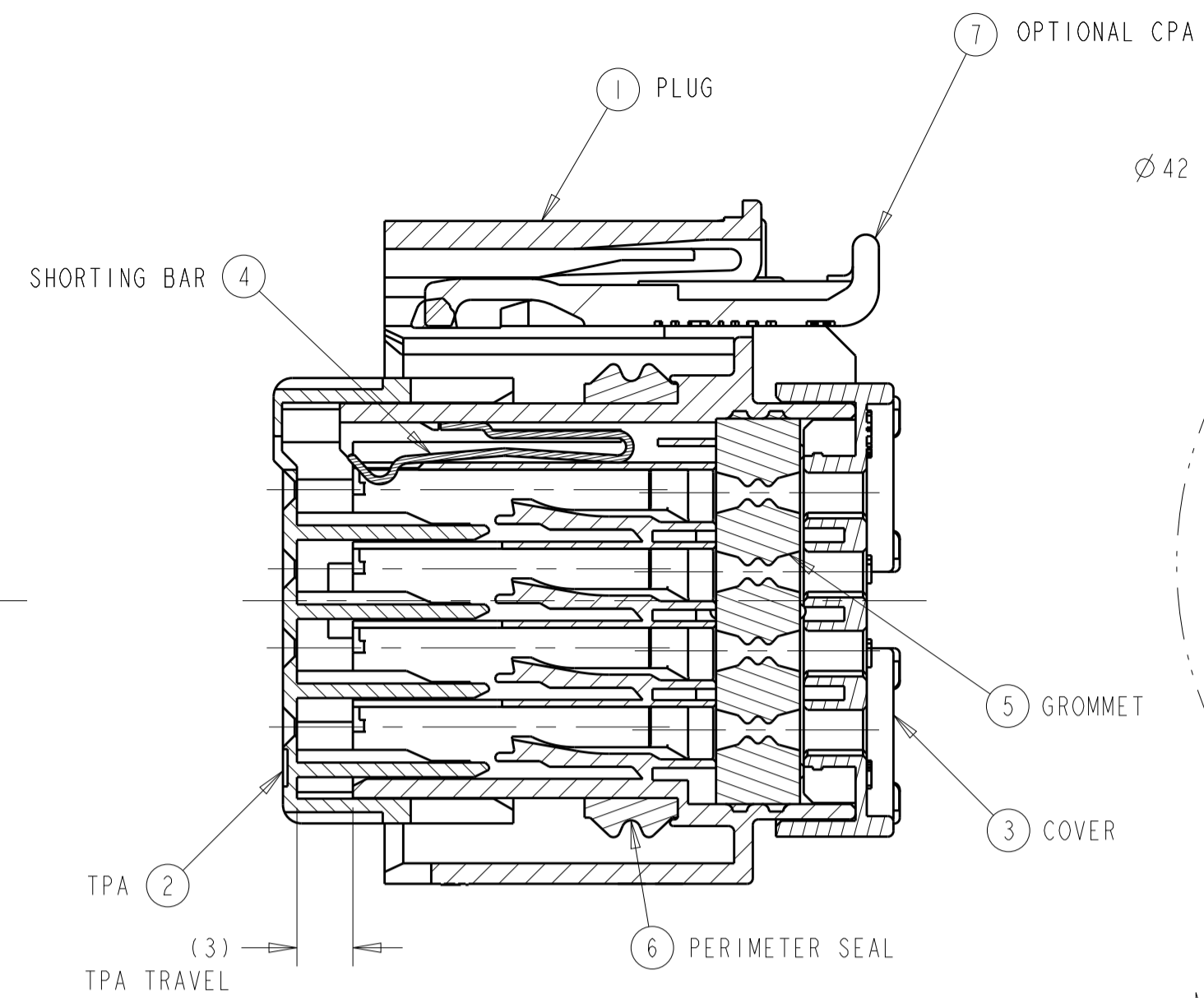
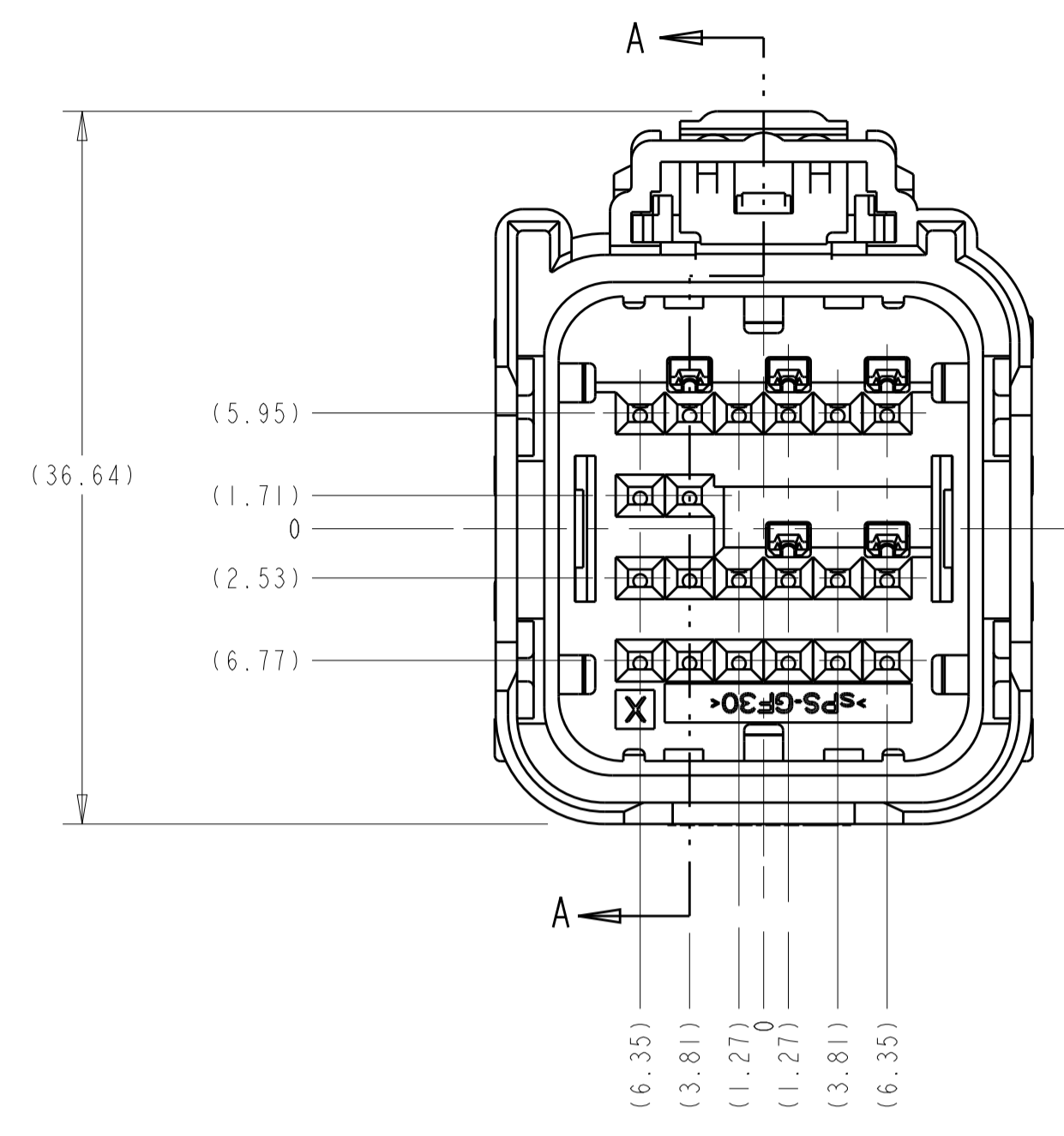
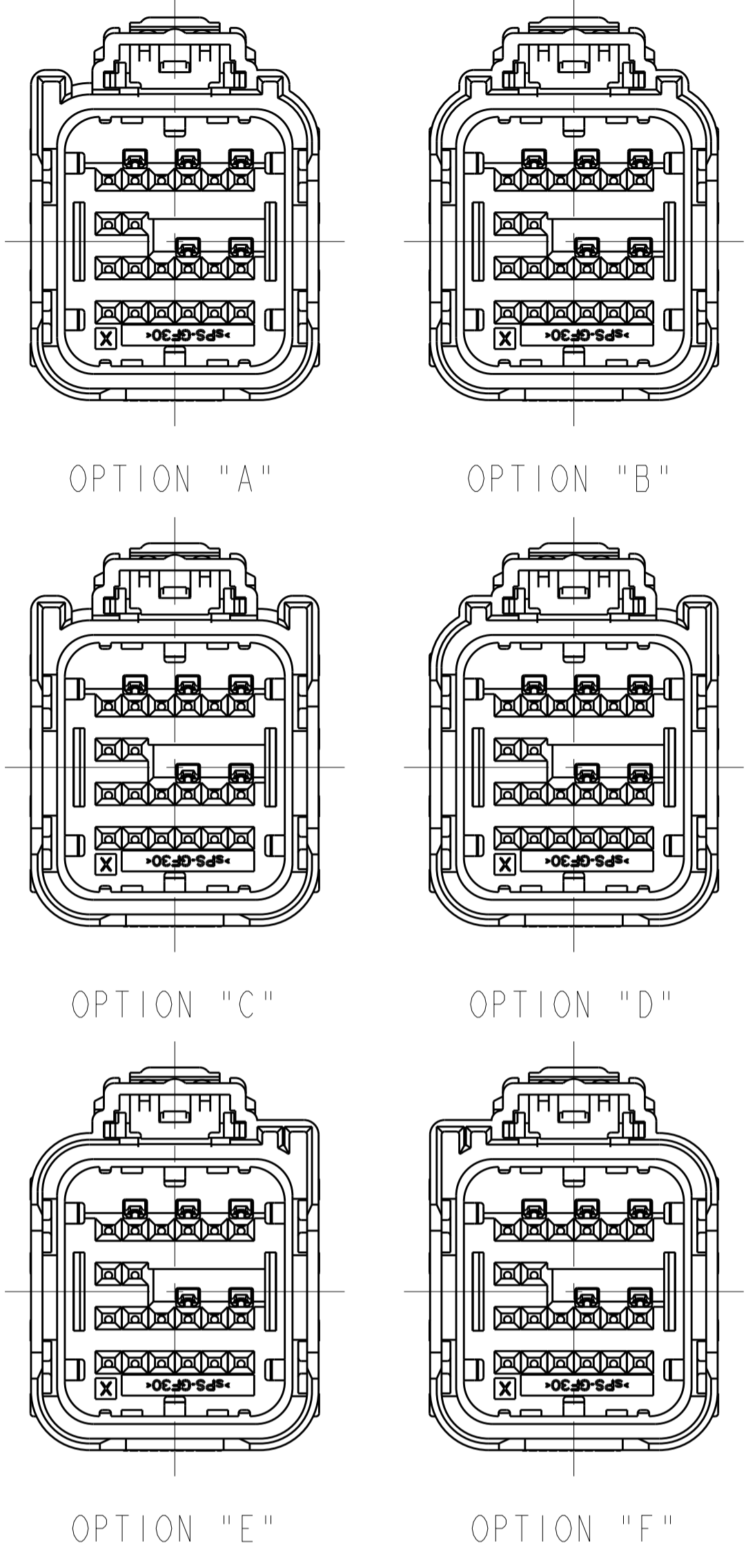
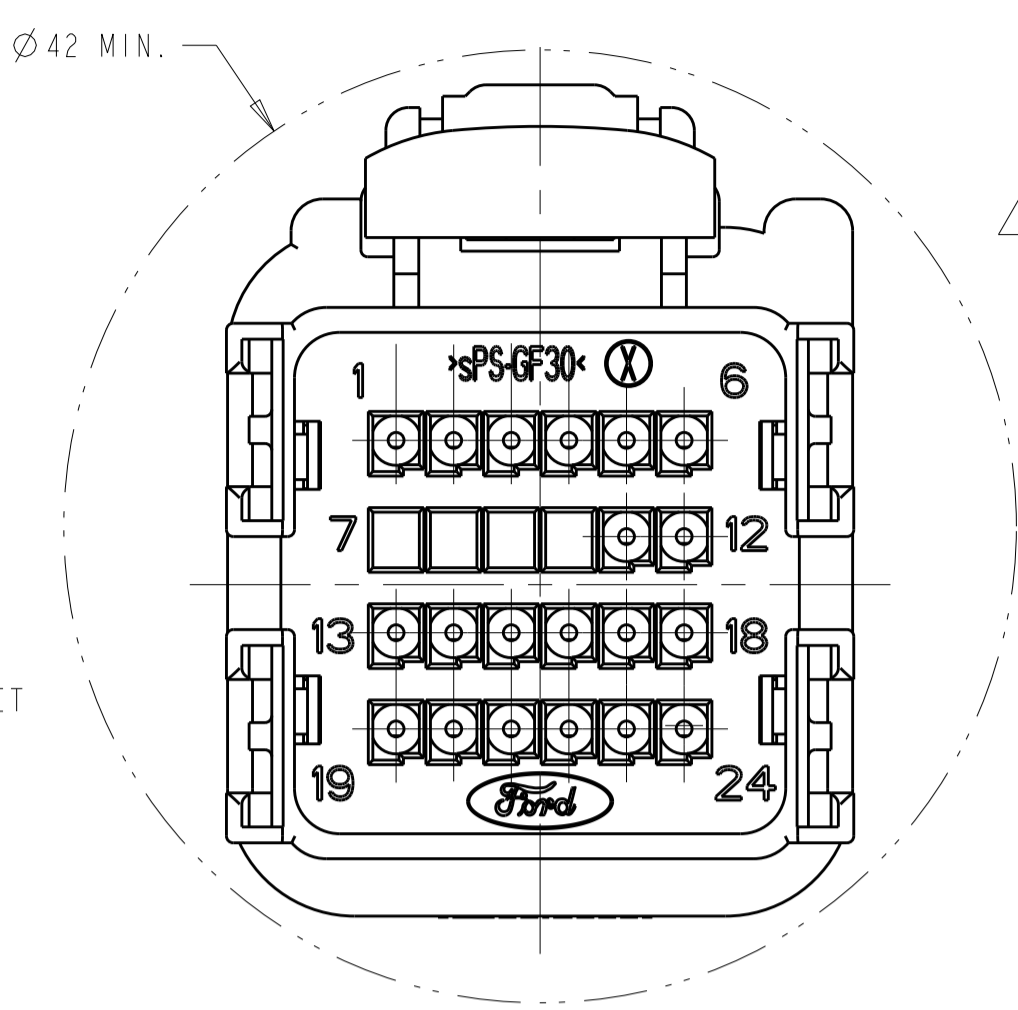


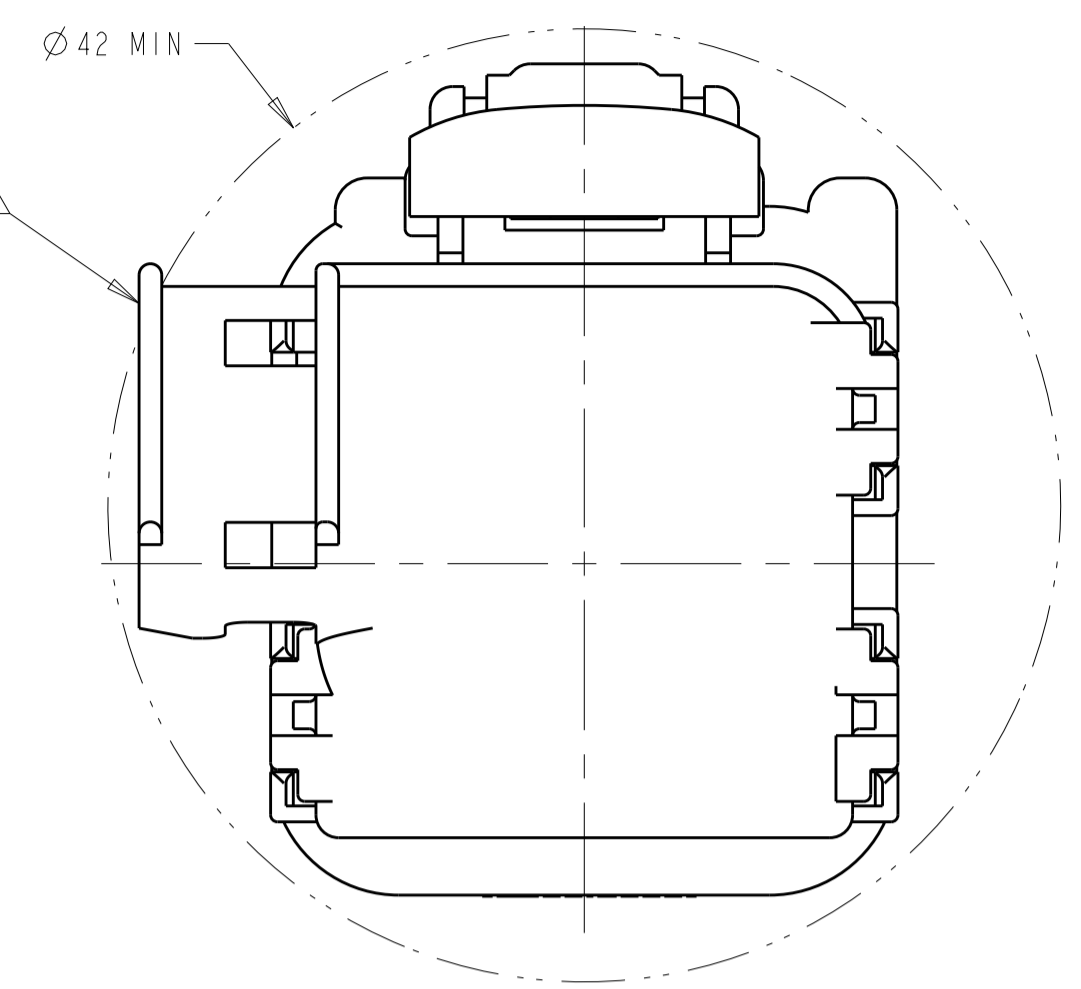
KEYING OPTIONS  
SCALE 2:1



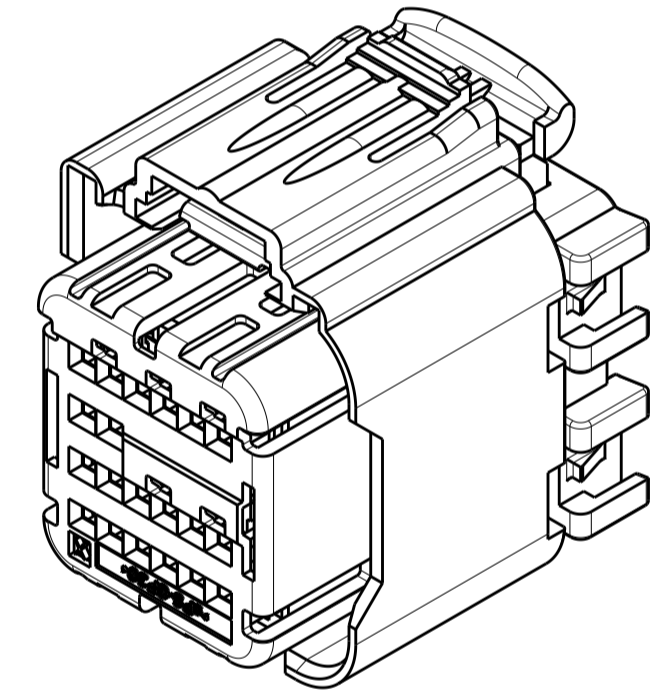
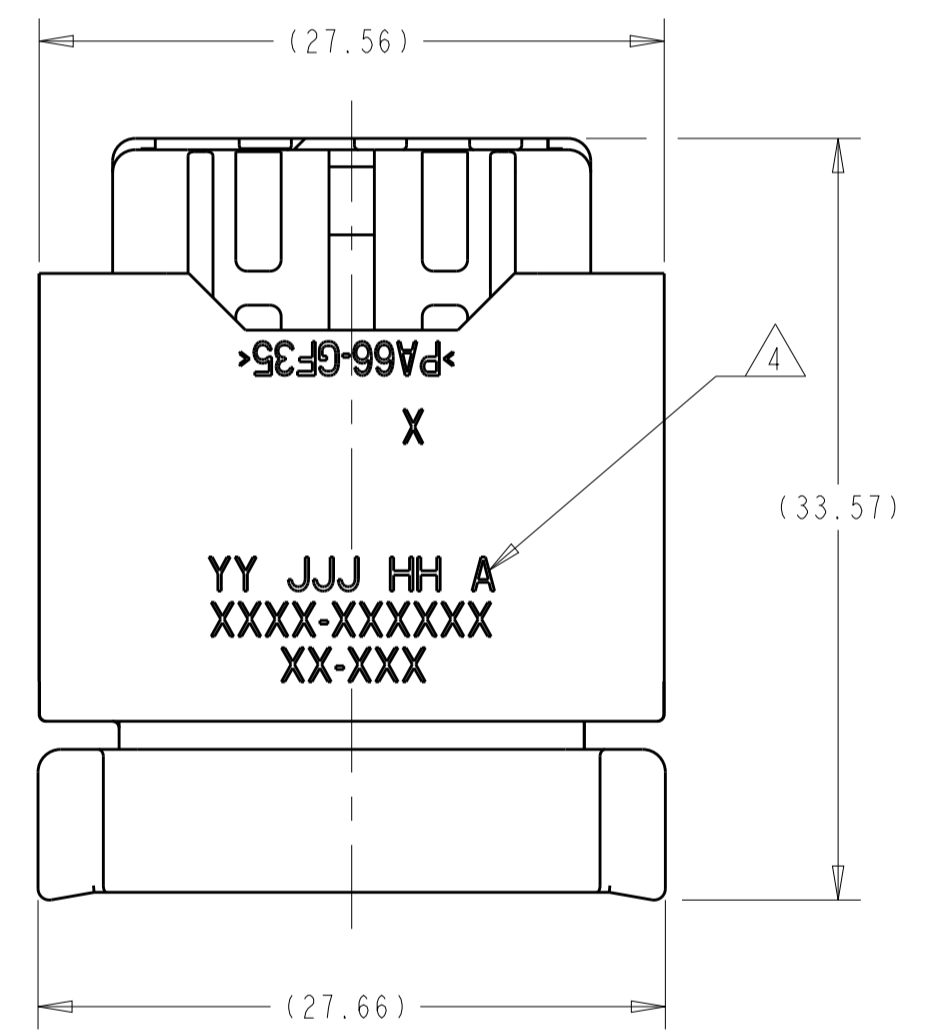
SECTION A-A  
SHOWN WITH TPA IN  
IT'S PRE-LOADED POSITION  
(DELIVERY CONDITON)



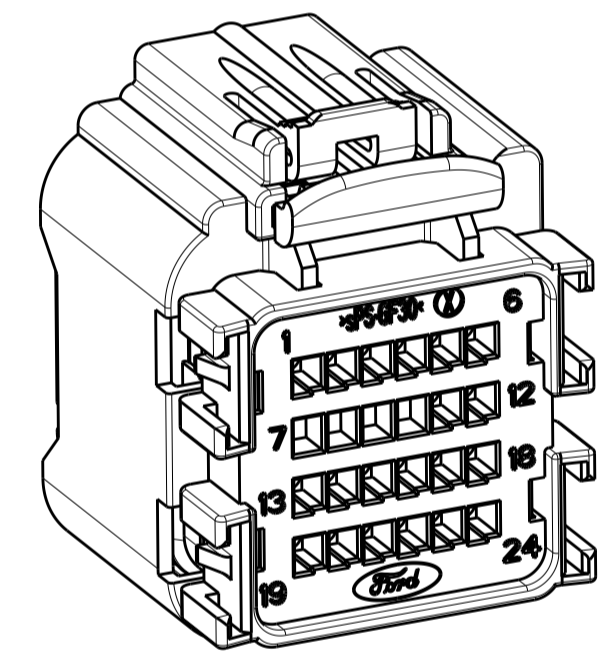
MINIMUM FEED THROUGH CONDITION  
WITH 1mm CLEARANCE ALL AROUND



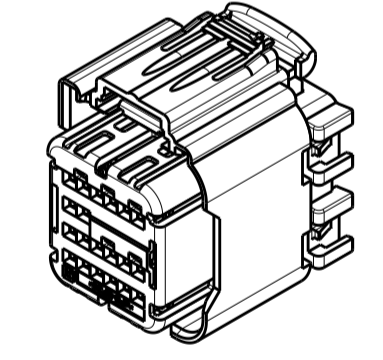
MINIMUM FEED THROUGH CONDITION  
WITH 1mm CLEARANCE ALL AROUND  
SHOWN WITH OPTION WIRESHIELD



SCALE 2:1



SCALE 2:1



SCALE 1:1

KEYING OPTION "A" SHOWN

- APPLICABLE TERMINAL PART NUMBERS (SOLD SEPARATELY):  
FOR TIN APPLICATIONS: 1393367 AND 1393366.  
FOR GOLD APPLICATIONS: 1393365 AND 1393364.  
FOR TERMINATION AND REELING OPTIONS  
SEE DRAWINGS 1393367, 1393366, 1393365, AND 1393364.
- COMPATIBLE WIRE SIZES FOR MAT SEAL DESIGN 1.19 TO 2.06 O.D.  
(22-18 AWG, 0.35-0.75 mm2)
- TPA IS SHIPPED IN IT'S PRE-LOADED POSITION.  
ALL ASSEMBLIES ARE TO BE TRAY PACKAGED.
- CUSTOMER PART NUMBER AND TRACEABILITY CODE (YY = TWO DIGIT YEAR, JJJ = JULIAN DAY, HH = TWO DIGIT MILITARY HOUR, A = ASSEMBLY PROCESS USED) ARE PRINTED IN THIS LOCATION.
- PART ASSEMBLY WEIGHT WITHOUT TERMINALS AND WITH STANDARD PIN-OUT CONFIGURATION IS 15.35 GRAMS.
- OPTIONAL WIRESHIELD P/N 7-1419157-8 (SOLD SEPARATELY). PLEASE CONTACT YOUR TYCO ELECTRONICS SALES REPRESENTATIVE FOR AVAILABILITY AND PRICING.
- PART NUMBER IS LOADED WITH 4 SHORTING BARS. NO SHORTING BAR LOADED BETWEEN TERMINAL HOLE POSITIONS (9/10).
- OBSOLETE PART

ITEM	ASSEMBLY PART NUMBER	DESCRIPTION	MATERIAL	FINISH/COLOR
7		CPA	PBT-GF15	RED
6		PERIMETER SEAL	SILICONE	GREEN
5		GROMMET	SILICONE	BROWN
4		SHORTING BAR	S.S.	SEE COMPONENT DRAWING
3		COVER	PA66 35% GF	BLACK
2		SPACER FOR SHORTING BAR APPLICATIONS	sPS 30% GF	NATURAL
1		PLUG WITH KEYING OPTION "D" AND 5 SHORTING BAR POSITIONS CONFIGURATION	PA66 35% GF	BLACK
1		PLUG WITH KEYING OPTION "C" AND 5 SHORTING BAR POSITIONS CONFIGURATION	PA66 35% GF	BLACK
1		PLUG WITH KEYING OPTION "B" AND 5 SHORTING BAR POSITIONS CONFIGURATION	PA66 35% GF	BLACK
1		PLUG WITH KEYING OPTION "A" AND 5 SHORTING BAR POSITIONS CONFIGURATION	PA66 35% GF	BLACK

QUANTITY

THIS DRAWING IS A CONTROLLED DOCUMENT.

OWN: R. VESTAL 23JUL2007  
CHK: W. WELLINSKY 23JUL2007  
APVD: W. WELLINSKY 23JUL2007

TE Connectivity

NAME: 24 WAY ARM PLUG ASSEMBLY WITH SHORTING BARS CUSTOMER SPEC.  
PRODUCT SPEC: -  
APPLICATION SPEC: -  
SIZE: - CAGE CODE: - DRAWING NO: 00779 ©=1924670  
RESTRICTED TO: -

WEIGHT: SEE NOTE 5  
CUSTOMER DRAWING

SCALE: 3:1 SHEET 1 OF 3 REV: D

REVISIONS				
P.	LTN	DESCRIPTION	DATE	APVD
-		SEE SHEET 1	-	-

													ASSEMBLY PART NUMBER	ITEM	DESCRIPTION	MATERIAL	FINISH/COLOR
													7	CPA	PBT-GF15	RED	
													6	PERIMETER SEAL	SILICONE	GREEN	
													5	GROMMET	SILICONE	BROWN	
													4	SHORTING BAR	S.S.	SEE COMPONENT DRAWING	
													3	COVER	PA66 35% GF	BLACK	
													2	SPACER FOR SHORTING BAR APPLICATIONS	sPS 30% GF	NATURAL	
													1	PLUG WITH KEYING OPTION "D" AND 5 SHORTING BAR POSITIONS CONFIGURATION	PA66 35% GF	BLACK	
												PLUG WITH KEYING OPTION "C" AND 5 SHORTING BAR POSITIONS CONFIGURATION		PA66 35% GF	BLACK		
												PLUG WITH KEYING OPTION "B" AND 5 SHORTING BAR POSITIONS CONFIGURATION		PA66 35% GF	BLACK		
												PLUG WITH KEYING OPTION "A" AND 5 SHORTING BAR POSITIONS CONFIGURATION		PA66 35% GF	BLACK		
														QUANTITY			

THIS DRAWING IS A CONTROLLED DOCUMENT.

DIMENSIONS: mm  
 TOLERANCES UNLESS OTHERWISE SPECIFIED:  
 0 PLC ±0.3  
 1 PLC ±0.10  
 2 PLC ±0.10  
 3 PLC ±0.10  
 4 PLC ±0.10  
 ANGLES ±0.5°

MATERIAL: SEE CHART ABOVE  
 FINISH: -

DWN: R. VESTAL 23JUL2007  
 CHK: W. WELLINSKY 23JUL2007  
 APVD: W. WELLINSKY 23JUL2007

**TE** TE Connectivity  
 NAME: 24 WAY ARM PLUG ASSEMBLY WITH SHORTING BARS CUSTOMER SPEC.  
 PRODUCT SPEC: -  
 APPLICATION SPEC: -  
 SIZE: A | CAGE CODE: 00779 | DRAWING NO: 1924670  
 WEIGHT: -  
 CUSTOMER DRAWING

SCALE: 3:1 | SHEET: 2 OF 3 | REV: D

