

Würth Elektronik eiSos GmbH & Co. KG

EMC & Inductive Solutions

Max-Eyth-Straße 1 · 74638 Waldenburg · Germany

Tel. +49 (0) 79 42 945-0 · Fax +49 (0) 79 42 945-400

eiSos@we-online.de · www.we-online.de



Product / Process Change Notification (PCN)

- Major change
 Minor change

PCN #: PCN_ConWST_20191001

Affected Series: ConWST

PCN Date: July 01, 2019

Effective Date: October 01, 2019

Change Category:

- Equipment / Location
 General Data
 Material
 Process
 Product Design
 Shipping / Packaging
 Supplier
 Software

Contact: Product Management

Phone: +49 (0) 7942 - 945 5001

Fax: +49 (0) 7942 - 945 5179

E-Mail: pcn.eican@we-online.com

Data Sheet Change:

- Yes No

Attachment:

- Yes No

DESCRIPTION AND PURPOSE OF CHANGE:

In order to enhance the product reliability, Würth Elektronik will change the PCB Layout of the ConWST series. This will improve the mechanical stability of the product and simplify production of the Layout.

To meet current customer demands, Würth Elektronik will implement a second PCB Layout for debugging applications. This will enlarge mating cycles for these applications.

To improve the processability, Würth Elektronik will change the part dimensions of the ConWST series. There will be a change in form of the product.

All products with date code 2019-01-01 or later, will be affected by this change.

Würth Elektronik eiSos GmbH & Co. KG

EMC & Inductive Solutions

Max-Eyth-Straße 1 · 74638 Waldenburg · Germany

Tel. +49(0)79 42 945-0 · Fax +49(0)79 42 945-400

eiSos@we-online.de · www.we-online.de



DETAIL OF CHANGE:

There will be three changes in the PCB layout.

Würth Elektronik will introduce a second PCB Layout (named "Debugging") in addition to the existing PCB Layout, which will be named "Permanent".

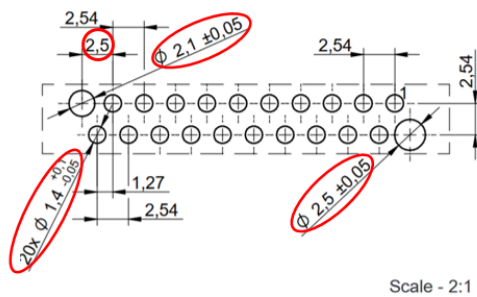
Permanent Layout:

Würth Elektronik will improve the mechanical stability through moving the position of the non-plated through holes. This allows the usage of the connector with vibrations up to 10g without any micro cuts $x \geq 1 \mu\text{s}$.

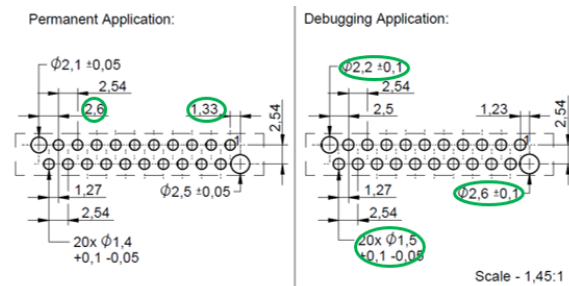
Debugging layout:

The debugging layout has 0,1mm bigger drillings and a different position of the non-plated through holes. Through lower mating forces, Würth Elektronik will increase the minimum mating cycles up to 50. This layout can be used for programming or debugging, if the mechanical stability up to 10g is not needed.

Before



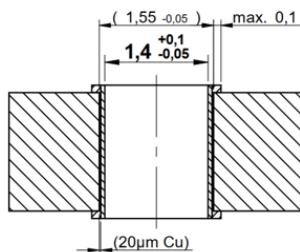
After



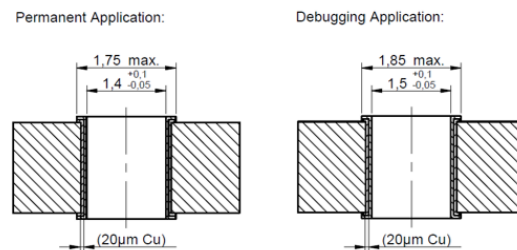
Both Layouts:

The pad size has been slightly enlarged, to simplify the production of the PCB layout.

Before



After



Würth Elektronik eiSos GmbH & Co. KG

EMC & Inductive Solutions

Max-Eyth-Straße 1 · 74638 Waldenburg · Germany

Tel. +49 (0) 79 42 945-0 · Fax +49 (0) 79 42 945-400

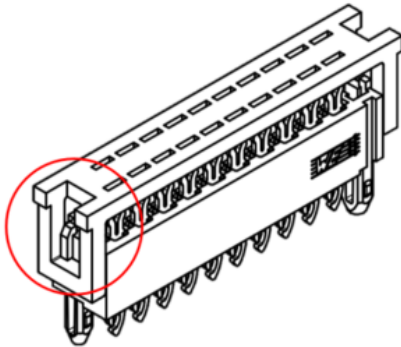
eiSos@we-online.de · www.we-online.de



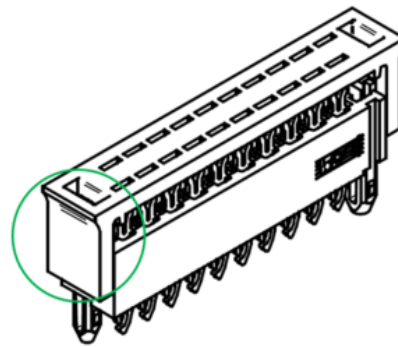
Design Change:

With the old product design, there are occasionally cracks during processing. Those cracks had no impact on the function. This will be solved with the new design.

Before

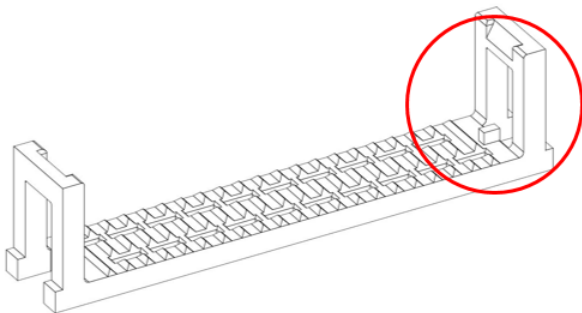


After

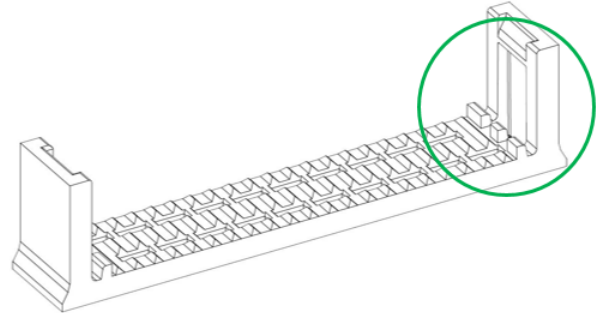


To improve the positioning of the flat ribbon cable, the guidance of the cable will be improved.

Before



After



RELIABILITY / QUALIFICATION SUMMARY:

Product approval is according to internal requirements released by the Total Quality Department and the Product Management Department.