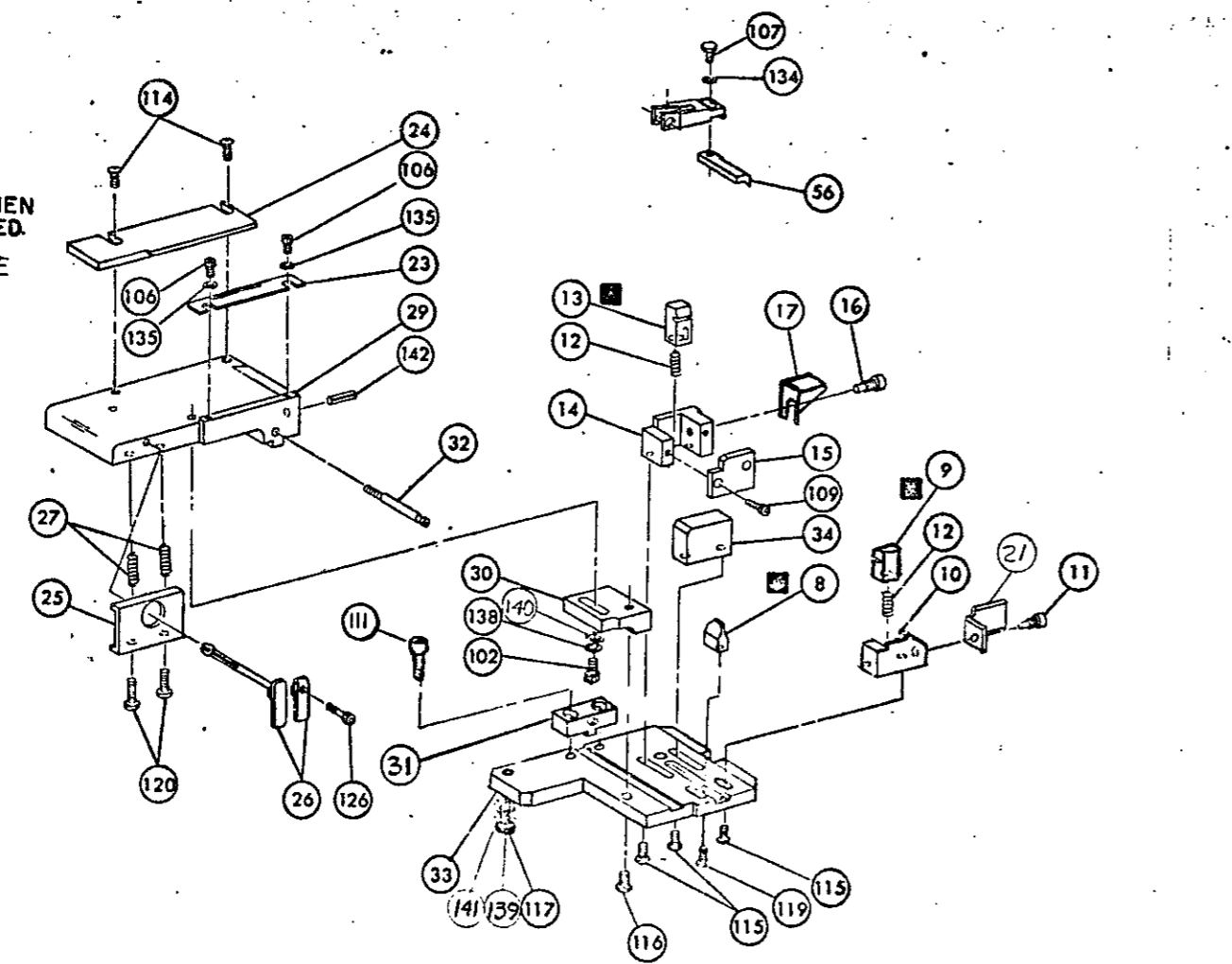
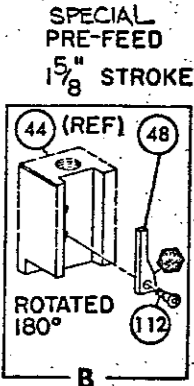
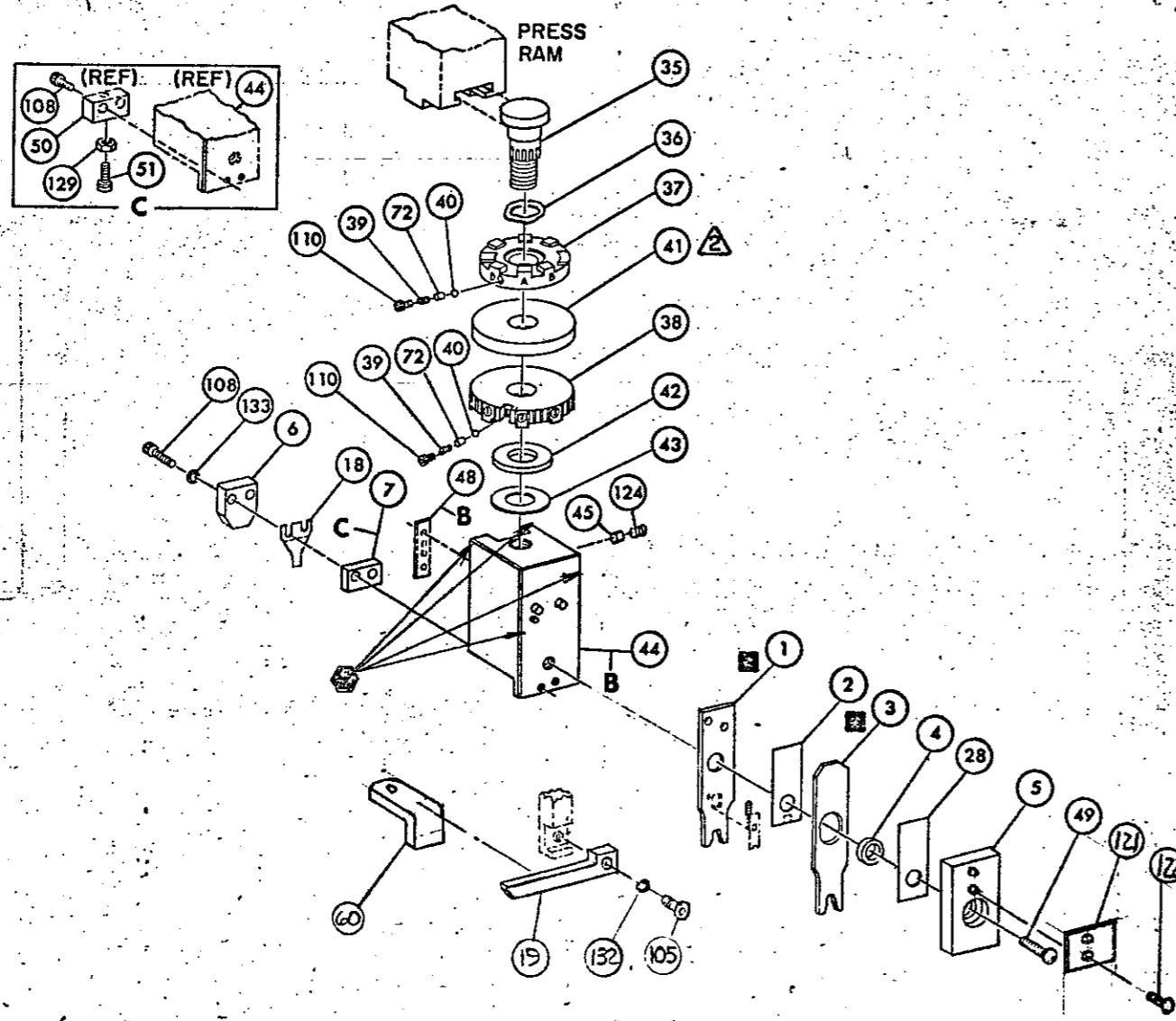


1-19277

THIS DRAWING IS A CONTROLLED DOCUMENT.



**NOTES:**

1- ONLY THE ITEMS WITH QUANTITIES SPECIFIED ON PARTS LIST ARE USED ON THIS APPLICATOR.

△ USED IN PLACE OF ITEM 38 WHEN INSULATION CRIMP IS NOT USED.

3- FEED PIVOT- HOLE

△ CUT TO LENGTH AT ASSY.

**KEY:**

○ - RECOMMENDED SPARE PARTS

○ - GREASE WEEKLY

QTY	PART NO	DESCRIPTION	ITEM NO	QTY	PART NO	DESCRIPTION	ITEM NO
1	45245-1	PLATE, TERMINAL NO.	145				59
2	690107-2	PLATE, SERIAL NO.	144				58
1	4-21028-0	PIN, SLOT SPR (.093 DIA X .75) STR G PLATE	143				57
1	21899-2	WASHER, FLAT (NO 10) MOUNTING	142	REF	694433-8	PAWL FEED	56
1	21899-2	WASHER, FLAT (NO 10) S. G. ADJ BLOCK	141				55
1	21024-5	WASHER, LOCK (NO 10) MOUNTING	140				54
1	21024-5	WASHER, LOCK (NO 10) STRIP GUIDE ADJ BLOCK	139				53
			138				52
			137				51
			136				50
2	21024-2	WASHER, LOCK (NO 4) FRONT STRIP GUIDE	135	1	7-21002-9	BOLT, CRIMPER (BUT. HD. 5/16-24 UNF X 1.00)	49
REF	21024-4	WASHER, LOCK (NO 8) FEED FINGER	134	1	690602-6	CAM PRE FEED 1.62 STROKE	48
			133				47
REF	21024-4	WASHER, LOCK (NO 8) STRIPPER	132				46
			131	1	690191-1	PLUG, NYLON	45
			130	1	455673-1	RAM	44
			129	1	690125-1	WASHER, LAMINATED	43
			128	1	690124-1	WASHER, RAM	42
			127				41
			126	2	23241-6	BALL, STEEL	40
1	21009-2	SCR, SKT SET (1/4-20 X .25) (LOC-WEL) RAM	125	2	690170-1	SPRING, COMPRESSION	39
			124	1	690142-1	DISC, INSULATION	38
2	21017-2	SCR, DRIVE (# 2 X .188 LG)	123	1	5-690692-6	DISC, WIRE	37
1	219347-1	PLATE, I.D.	122	1	22480-5	WASHER, SPRING	36
2	2-21002-9	SCR, BUT HD SKT CAP (10-32 X .75) DRAG	121	1	690212-1	POST, RAM	35
1	22733-8	SCR, BUT HD SKT CAP (8-32 X .38) (LOC-WEL) ANVIL	120	1	4-690786-2	SUPPORT, TERMINAL	34
			119	1	462544-1	PLATE, BASE SPECIAL	33
1	3-21000-8	SCR, SOG HD SKT CAP (10-32 X .68) MOUNTING	118	1	690432-3	SCREW, ADJUSTMENT	32
1	2-22733-1	SCR, BUT HD SKT CAP (10-32 X .50) SG ADJ BLOCK	117	1	462543-1	BLOCK, SCREW SPECIAL	31
			116	1	455689-1	BLOCK, STRIP GUIDE ADJ	30
			115	1	1-455671-2	PLATE, STRIP GUIDE	29
2	2-21002-2	SCR, BUT HD SKT CAP (8-32 X .38) R STRIP GUIDE	114	2	1-455888-0	SPACER, FRONT SHEAR DEPRESSOR	28
			113	2	1-22284-0	SPRING, DRAG	27
1	1-21002-7	SCR, BUT HD SKT CAP (6-32 X .50) CAM	112	1	690546-1	LEVER, DRAG RELEASE	26
2	2-21000-7	SCR, SKT HD CAP (8-32 X .50) SCR. BLOCK	111	1	240792-1	DRAG, STOCK	25
			110	1	4-690504-9	GUIDE STRIP (REAR)	24
			109	1	690438-1	GUIDE, STRIP (FRONT)	23
2	2-21000-6	SCR, SKT HD CAP (8-32 X .36) DEPRESSOR (REAR) △	108				22
REF	2-21002-1	SCR, BUT HD MACH (8-32 X .38) FEED FINGER	107	1	463756-1	GUIDE, SCRAP	21
2	1-21000-3	SCR, SKT HD CAP (4-40 X .25) F STRIP GUIDE	106				20
REF	2-21002-1	SCR, BUT HD CAP (8-32 X .38) STRIPPER	105	REF	462615-1	STRIPPER	19
			104	1	469965-4	HOLDER, TERMINAL	18
			103				17
1	3-22603-1	SCR, HEX HD CAP (10-32 X .38) SG ADJ BLOCK	102				16
			101				15
			99				14
			98				13
2	463310-7	BLADE, STRIPPING (# 24)	77	1	5-22280-0	SPRING, SHEAR	12
			76	1	690461-2	STOP, SHEAR (FRONT)	11
			75	1	462548-1	HOLDER, SHEAR (FRONT) SPECIAL	10
			74	1	462547-1	SHEAR, FLOAT (FRONT) SPECIAL	9
2	690603-1	SPRING, ASSIST	73	1	1-458834-7	ANVIL	8
			72				7
			71				6
			70	1	462838-1	DEPRESSOR, SHEAR (FRONT) SPECIAL	5
			69	1	238011-6	SPACER, TUBULAR, INS CRIMPER	4
			68	1	2-458135-2	CRIMPER, INSULATION	3
			67	1	455888-5	SPACER, CRIMPER	2
			66	1	1-456402-4	CRIMPER, WIRE	1

APPLICATOR WILL APPLY  
66555  
208693

CRIMP	SIZE	TYPE	FEED	APPL INST
WIRE	.055	F	300	A1
INSUL	.070	O		
WIRE RANGE		INSULATION RANGE PRESS NO		
28-24		.040-.049 463345-1		

REF 469484-1 STOP WIRE

REMARKS	NO	REV
APPL USED ON MACHINE PART NO	MACH SERIAL NO	TO APPLY TERMINAL
CUSTOMER NAME	APPL SERIAL NO	DISTRIBUTION
ADDRESS	PURCHASE ORDER	ORIGINAL
CITY	ENG APP	CUSTOMER COPY
		FIELD ENG COPY

SIM 466047

DISC	DISC	DISC	DISC	DISC	DISC
0150-6782-96	0150-6495-53	0150-6458-88	0150-6458-88	0150-6458-88	0150-6458-88
REV 2/89	REV 2/89	REV 2/89	REV 2/89	REV 2/89	REV 2/89