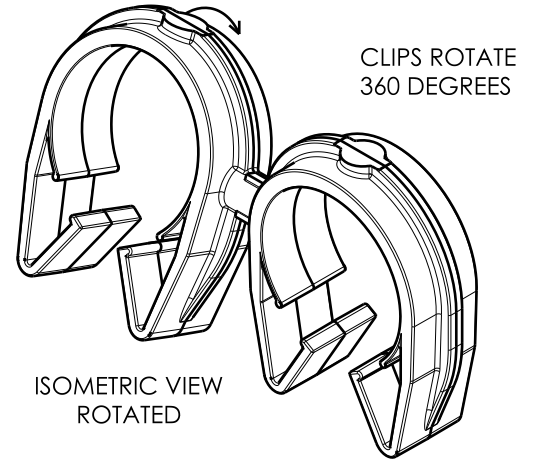
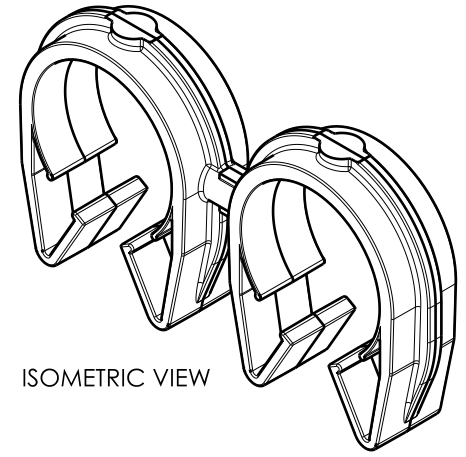
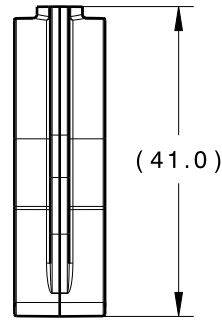
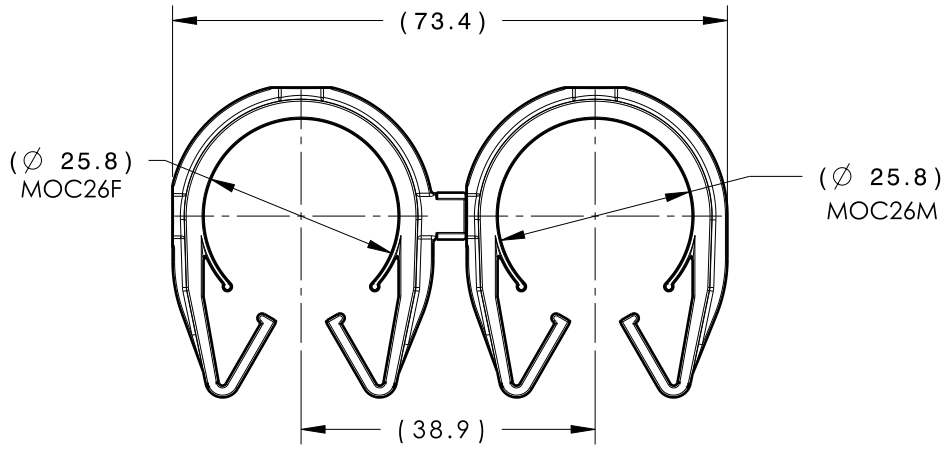
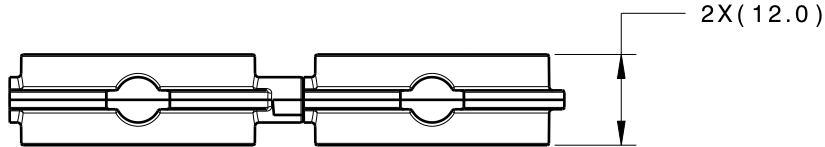



Revision Level			Revision Record	Changed	Date	Approved	Date
Drawing	State	Part					
01.2	DESIGN RELEASE		SEE ECN# 014444	JMC	04/25/18	EJH	04/25/18



TYPE	MOC26F	MOC26M
HARNESS	23.0MM-28.5MM	23.0MM-28.5MM
HOSE	23.0MM-28.5MM	23.0MM-28.5MM
HARD PIPE/TUBE	25.9MM-29.0MM	25.9MM-29.0MM

\*RECOMMENDED SIZES MAY DIFFER DEPENDING ON THE APPLICATION, PRODUCT REQUIREMENTS AND MATERIALS USED

\*\*PATENT PENDING 29/582,271\*\*

GLOBAL PART DESCRIPTION 	MOC26F**			MOC26M**		
	DRAWING	MATERIAL	COLOR	DRAWING	MATERIAL	COLOR
MOC26FMOC26M-PA66HIRHSUV-BK	16-0325-000-CSU	PA66HIRHSUV	BLACK	16-0325-000-CSU	PA66HIRHSUV	BLACK

Material SEE CHART COLOR: SEE CHART	Units <b>millimeters</b>	The copyright of this drawing is reserved by HellermannTyton. It is issued on condition that it is not reproduced, copied or disclosed to a third party, either wholly or in part, without the consent of HellermannTyton.	Drawn	TAT	2/22/17	Article/Type-No MOC26FMOC26M	Scale	1:1
	Tolerance defined on each dimension		Approved	EJH	2/28/17		Title  26MM MOC COUPLED TO A 26MM MOC	Project Number
			 North America Email: corp@htamericas.com Web: www.hellermann.tyton.com			Drawing-No		PRODUCTION : Phase
<b>16-0326-885-CSU</b> 						Sheet	1/1	