

6

5

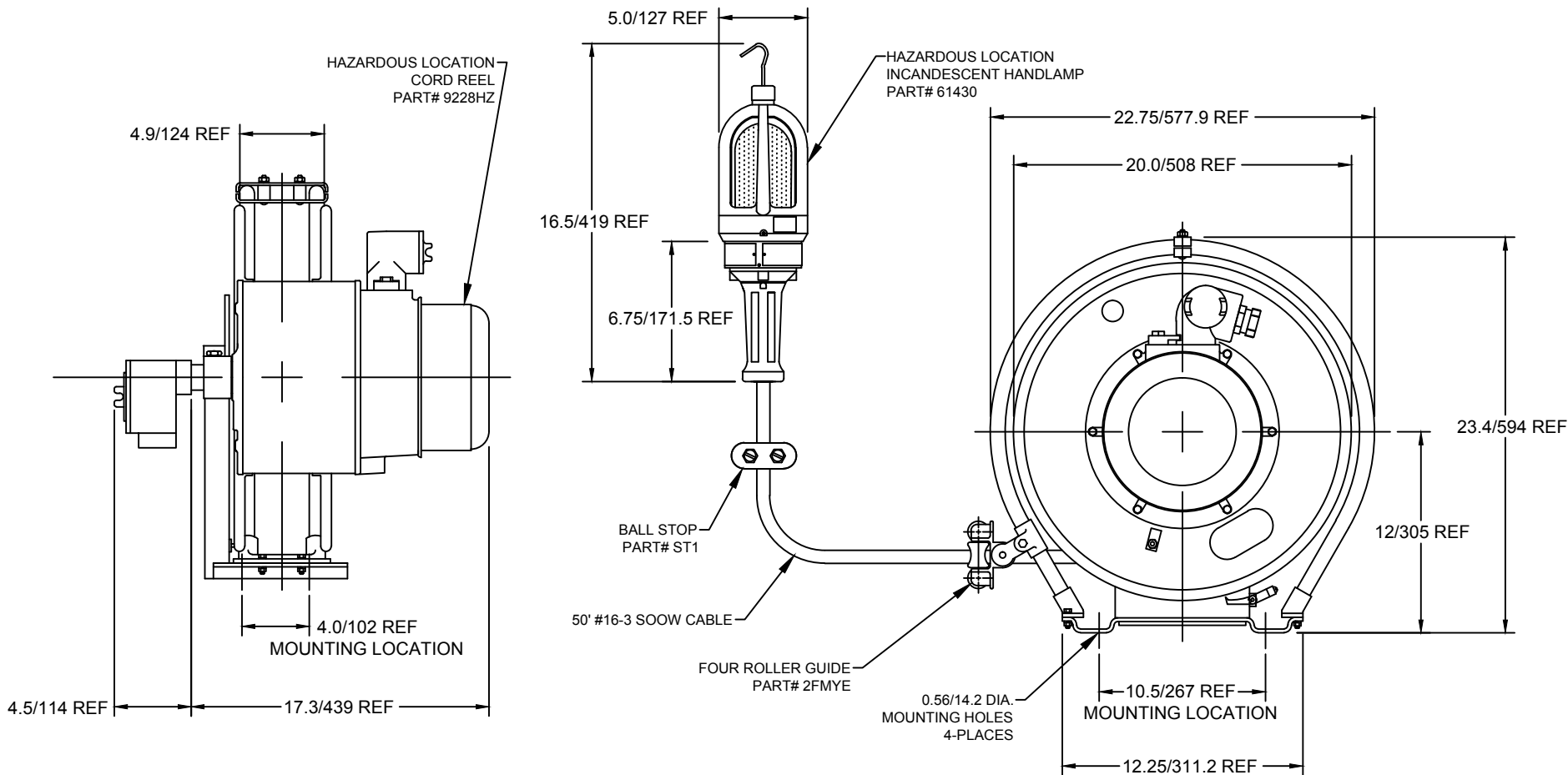
4

3

2

1

MATERIAL#	ENGR#
1300851067	V320376000



RELEASE SALES DRAWING EC NO: IPC2013-1830 DRWN: HRUIZ01 2013/05/28 CHKD: HKNEELAN APPR: JFMURPHY 2013/06/24	DESCRIPTION REV	QUALITY SYMBOLS	GENERAL TOLERANCES (UNLESS SPECIFIED)	DIMENSION STYLE	SCALE	DESIGN UNITS	THIRD ANGLE PROJECTION															
		$\nabla = 0$ $\nabla C = 0$	<table border="1"> <tr> <td></td> <td>mm</td> <td>INCH</td> </tr> <tr> <td>4 PLACES</td> <td>±---</td> <td>±---</td> </tr> <tr> <td>3 PLACES</td> <td>±---</td> <td>±.005</td> </tr> <tr> <td>2 PLACES</td> <td>±.13</td> <td>±.010</td> </tr> <tr> <td>1 PLACE</td> <td>±.25</td> <td>±.020</td> </tr> </table>		mm	INCH	4 PLACES	±---	±---	3 PLACES	±---	±.005	2 PLACES	±.13	±.010	1 PLACE	±.25	±.020	INCH/MM	NTS	INCH	
			mm	INCH																		
		4 PLACES	±---	±---																		
3 PLACES	±---	±.005																				
2 PLACES	±.13	±.010																				
1 PLACE	±.25	±.020																				
	ANGULAR ±1/2°		DRAWN BY DATE HRUIZ01 2013/05/28 CHECKED BY DATE HKNEELAN 2013/05/31 APPROVED BY DATE JFMURPHY 2013/06/24	TITLE 9228HZ CORD REEL W/ 50' #16-3 SOOW CORD 61430 HAZ HANDLAMP																		
A		DRAFT WHERE APPLICABLE MUST REMAIN WITHIN DIMENSIONS	MATERIAL NO. 1300851067	MOLEX INCORPORATED DOCUMENT NO. SD-130085-007		SHEET NO. 1 OF 1																

THIS DRAWING CONTAINS INFORMATION THAT IS PROPRIETARY TO MOLEX INCORPORATED AND SHOULD NOT BE USED WITHOUT WRITTEN PERMISSION

6

5

4

3

2

1

E

E

D

D

C

C

B

B

A

A