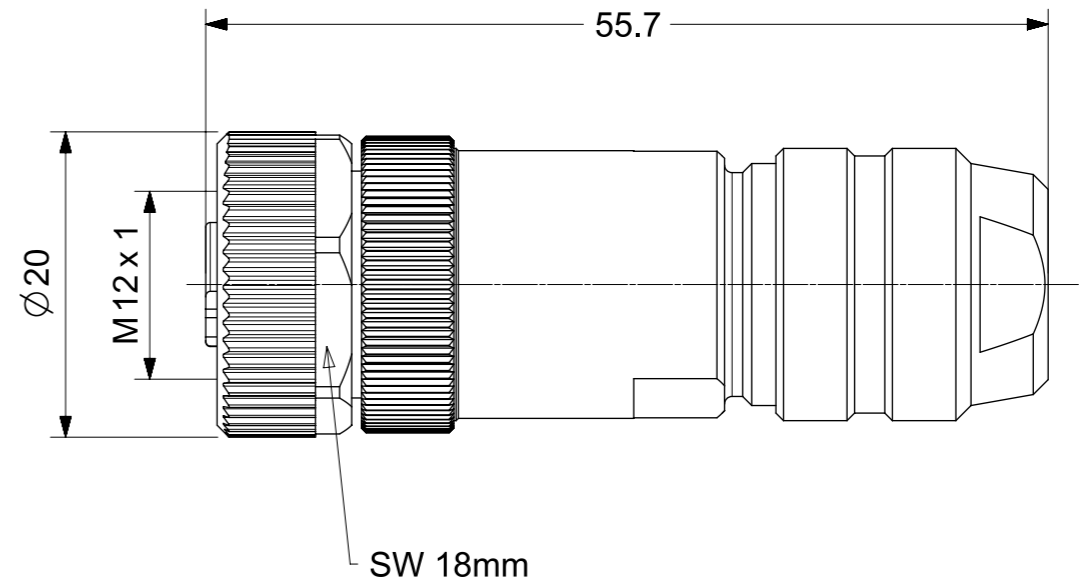
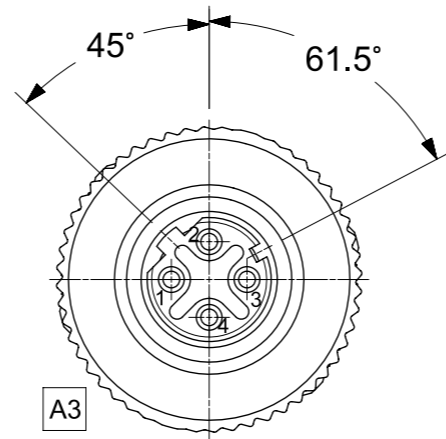
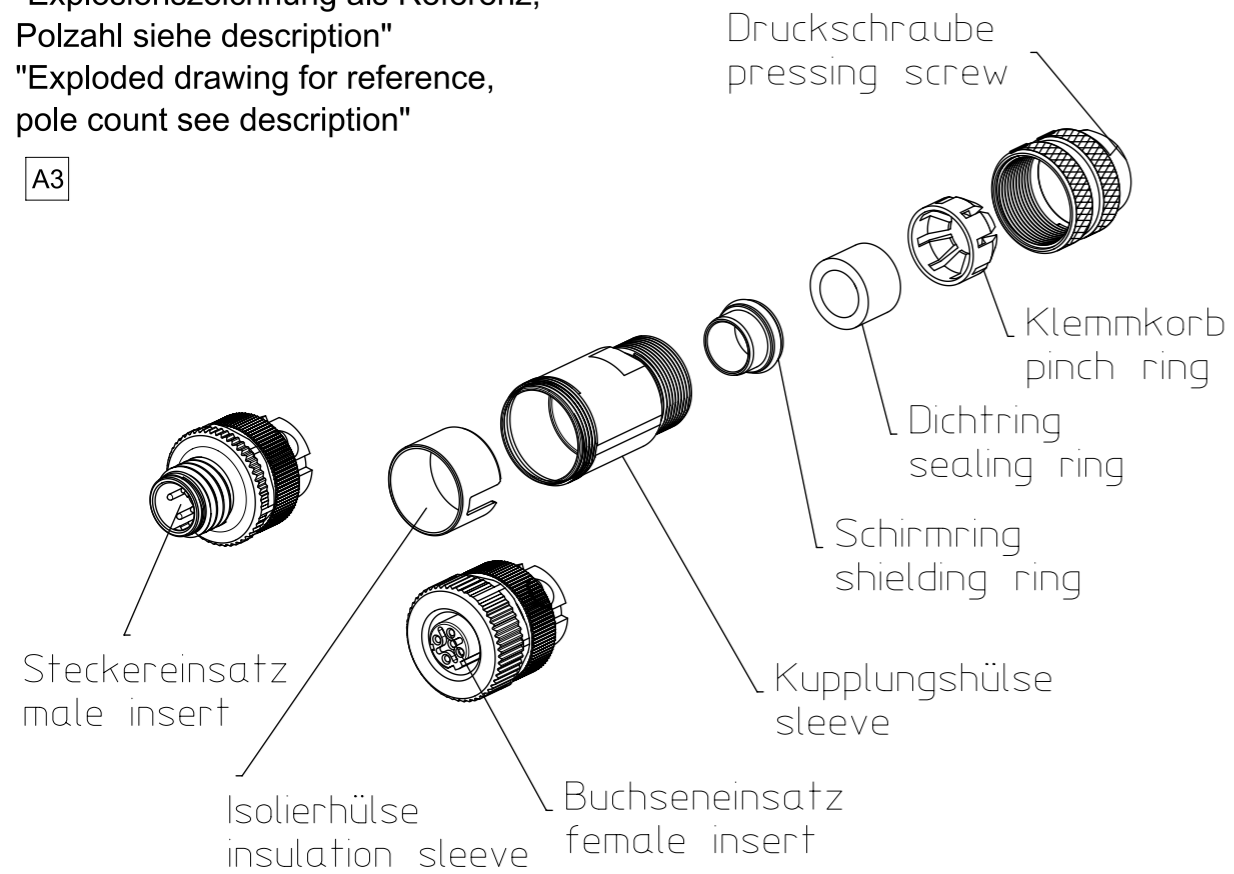


"Explosionszeichnung als Referenz,
Polzahl siehe description"
"Exploded drawing for reference,
pole count see description"

A3



NOTES:

1. LOCKING SYSTEM: SCREW
WIRE GAUGE: 0.75mm²
CABLE OUTLET: 6 - 8mm
2. ELECTRICAL DATA:
CURRENT RATING: 4A
VOLTAGE RATING: 250V
MATING CYCLES: > 100
3. MECHANICAL:
OPERATING TEMP.: -40°C to +85°C
PROTECTION CLASS: IP67
4. MATERIAL:
CONTACT: CuZn (BRASS)
CONTACT PLATING: Au (GOLD)
CONTACT BODY: PA
HOUSING: zinc die cast
COUPLING NUT: CuZn (BRASS)

PRE-RELEASE
REFERENCE
USE ONLY

CHANGES SEE
REVISION MARKING A3

NOTES/ CHANGE IN
PIN NUMBER

ENG.-NO: E1AS00-32

THIS DRAWING CONTAINS INFORMATION THAT IS PROPRIETARY TO MOLEX ELECTRONIC TECHNOLOGIES, LLC AND SHOULD NOT BE USED WITHOUT WRITTEN PERMISSION												
QUALITY SYMBOLS	2016/08/10	GENERAL TOLERANCES (UNLESS SPECIFIED)		DIMENSION UNITS	SCALE							
		ANGULAR TOL ± 1.0 °		MM	2:1							
▽A = 0	107393	4 PLACES	±	DRWN BY	DATE							FA M12 ETH 4P DC FE STR SCR SHLD
▽E = 0		3 PLACES	±	MSCHWARZ	2015/07/06							
▽F = 0		2 PLACES	± 0.05	CHK'D BY	DATE	PRODUCT CUSTOMER DRAWING						
▼ = 0		1 PLACE	± 0.3	APPR BY	DATE							
▽C = 0		0 PLACES	± 0.5	DRAWING SIZE		THIRD ANGLE PROJECTION		SERIES	MATERIAL NUMBER	CUSTOMER		
⊗ = 0		DRAFT WHERE APPLICABLE MUST REMAIN WITHIN DIMENSIONS		A3				130047	1300470037	GENERAL MARKET		
■ = 0	EC NO: 107393	DRWN: LRAMAMURTHY	CHK'D:	APPR:			DOCUMENT NUMBER	DOC TYPE	DOC PART	SHEET NUMBER		
▽ = 0	A3						1300470037	PSD	000	1 OF 1		