

WIRING DIAGRAM : 16 CORE CABLE

UNTERMINATED END	16 CORE CABLE	MOLEX I/O CONNECTOR	CONDUCTOR COLOUR (REF.)
	CONDUCTOR No.	CIRCUIT No.	
	1	1	WHITE
	2	2	BROWN
	3	3	GREY
	4	4	YELLOW/BROWN
	5	5	PINK
	6	6	WHITE/YELLOW
	7	7	BLUE
	8	8	BROWN/GREEN
	9	9	RED
	10	10	GREEN/WHITE
	11	11	BLACK
	12	12	RED/BLUE
	13	13	VIOLET
	14	14	GREY/PINK
	15	15	GREEN
	16	16	YELLOW

CABLE SPECIFICATION : 16 CORE CABLE

1. CABLE TYPE: FLAT RIBBON ROUND OTHER
 SPIRAL CABLE YES NO
 # OF CONDUCTORS: 16

2. CABLE REQUIREMENTS: N/A

3. CONDUCTOR SPECIFICATIONS:

CONDUCTOR NO.	CONDUCTOR NO.
1 - 4	5 - 16
CENTRE	OUTSIDE
MATERIAL	TINNED CU
STRANDING	22
STRANDING OFF/DIAG	7/30
TENSILE STRENGTH	N/A
MATERIAL	PVC
MIN. WALL THICKNESS	0.22 REF
INSULATION	22 SPECIFIED IN IEC 61000
OUTSIDE DIAMETER	1.20 REF
LENGTH OF LAY	2
WALL THICKNESS	0.50 REF
WALL THICKNESS	0.5 - 2.64

4. FILLER: ENOUGH TO MAKE THE ASSEMBLY ROUND

5. SEPARATOR: N/A

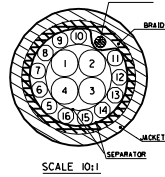
6. SHIELD: N/A

7. DRAIN WIRE: GAUGE 28 AWG, STRANDING REQUIREMENT: DRAIN TO BE ON THE OUTSIDE OF THE SEPARATOR

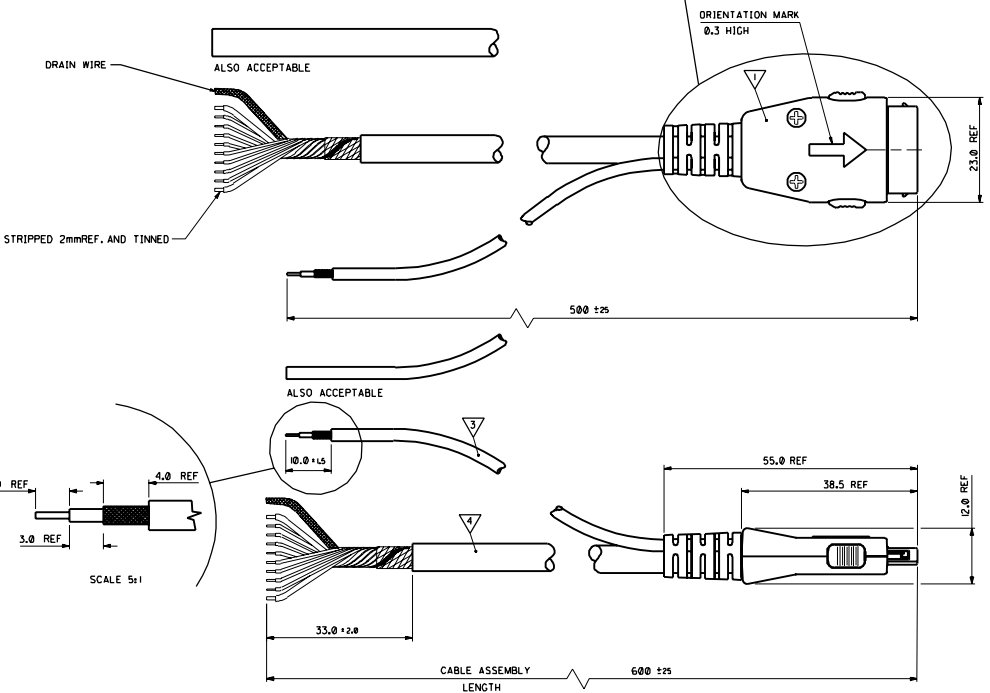
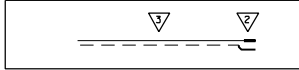
8. SPIRAL/BRAID: GAUGE 24 x 8 x 0.1, COPPER TYPE: TINNED CU

9. CABLE JACKET: TYPE PVC, FINAL DIAMETER 6.8 REF, MIN. THICKNESS 0.22 REF, COLOUR BLACK, FINISH MATT, ULL RATING UL - 284A, HARDNESS STRIPABILITY MARKINGS YEAR / MONTH MFG OF MANUFACTURE TO BE PRINTED EVERY 500 TO IEC 62 INDEX 5.1

10. PACKAGING: PACKAGING SEE PACKAGING SPECIFICATION ESTABLISHED BY LOCAL PACKAGING AND MANUFACTURING DEPARTMENTS



WIRING DIAGRAM : R.F. CABLE



BILL OF MATERIALS

NO.	QUANTITY	SUPPLIER	DESCRIPTION	PART No.	SEE NOTE
1	1	MOLEX	16 CIRCUIT I/O MOBILE PHONE PLUG CONNECTOR	90813-0001	4, 2, 3
2	1	MOLEX	COAXIAL RF CONNECTOR	90853-0001	5
3	1	NO PREFERRED SUPPLIERS	COAXIAL CABLE 50 OHM	RG 174 A/U	5
4	1	MOLEX	16 CORE CABLE SEE CABLE SPECIFICATION	99036-0001	5
5	10	NO PREFERRED SUPPLIERS	16 BORE HEAT SHRINK INSULATION TUBING .	90848-0005	4, 5
6	1	MOLEX	MOULDED ON GROMMET		5, 6
7	1	NO PREFERRED SUPPLIERS	HEAT SHRINK INSULATION TUBING .	90848-0007	4, 5
8	1	NO PREFERRED SUPPLIERS	CRIMP RING	90875-0001	5

NOTES:-

- MATES WITH SERIES 90811 HANDSET CONNECTOR.
- SEE PRODUCT SPECIFICATION NO. PS-99020-0033
- POWER CONTACTS TO BE ON CIRCUITS 1, 2, 15, 16
- CABLE CONDUCTORS 1, 2, 3, 6, 8, 10, 11, 12, 13, 15 AND RF CABLE TO BE COVERED WITH HEAT SHRINK INSULATION TUBING .
- ONLY AVAILABLE FROM MOLEX AS PART OF A CABLE ASSEMBLY
- SEE GROMMET SPECIFICATION ES-99038-0001 .
- PACKAGING ; SEE PACKING SPECIFICATION ES-99039-0002, AND LABELLED AS SHOWN YEAR AND MONTH 'XX', TO BE PRINTED ACCORDING TO IEC 62 INDEX 5.1 .
- SEE TERMINATION SPECIFICATION ES-99033-0003 .

V2485I-Z1303-A116-1
 XX MXI
 MOLEX 90813-1006

FOR PREVIOUS DRAWING ISSUES SEE MRL.

DESIGNER	DATE	REVISED ONLY ON CAD SYSTEM	SCALE
CHKD BY: JOC		DATE	2:1
APPD BY:		FILE	
APPR BY:		SYSTEM CONNECTOR PLUG CABLE ASSEMBLY	
DATE		MOLEX EUROPE	SHEET NO DATE
		90813-1006	10F 1 94/05/28
		SDA-90813-1006	D