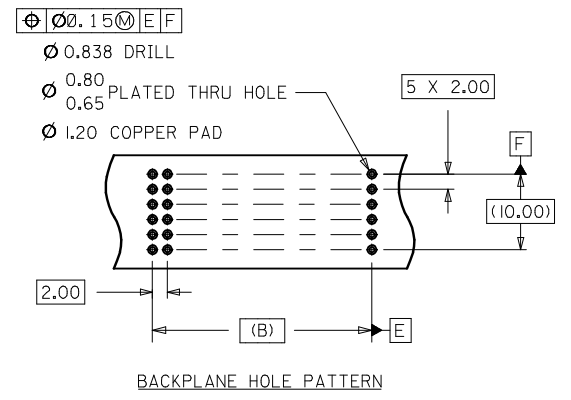
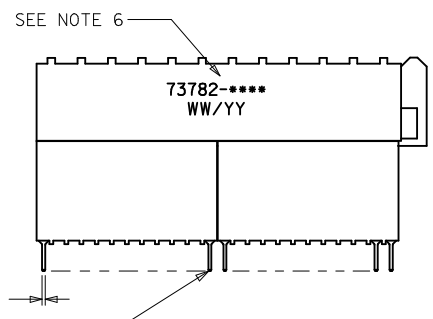
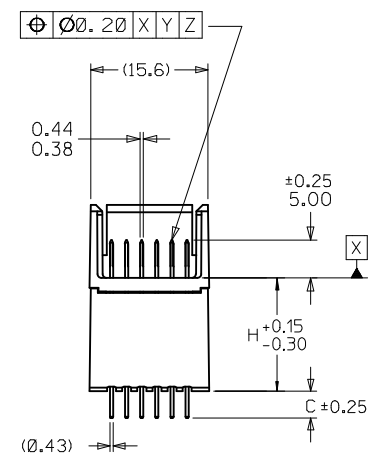
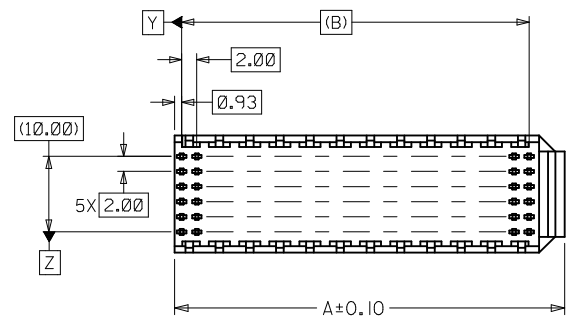


- NOTES:**
1. MATERIALS: HOUSING-LIQUID CRYSTAL POLYMER (LCP), GLASS-FILLED, UL94V-0, COLOR: BLACK.  
TERMINAL-PHOSPHOR BRONZE
  2. FINISH:  
0.75 MICROMETERS MINIMUM SELECTIVE GOLD IN MATING AREA  
2.50 MICROMETERS MINIMUM SELECTIVE TIN IN TAIL AREA  
NICKEL UNDERPLATE OVERALL.
  3. THIS PART CONFORMS TO MOLEX PRODUCT SPECIFICATION PS-73780-999.
  4. THIS PART CONFORMS TO MOLEX COSMETIC SPECIFICATION PS-45499-002 CLASS C.
  5. SEE TABLE ON SHEET 2 FOR PACKAGING SPECIFICATION.
  6. PARTS MARKED WITH PART NUMBER AND DATE CODE APPROXIMATELY WHERE SHOWN.



⊕ Ø0.150 X Y Z

CHG PKG FOR 45mm EC NO: UCP2013-0087 DRW:DMORGAN 2012/08/28 CHKD:BBARKER 2012/08/28 APPR:SMILLER 2012/09/18	QUALITY SYMBOLS	GENERAL TOLERANCES (UNLESS SPECIFIED)		DIMENSION STYLE	SCALE	DESIGN UNITS	THIRD ANGLE PROJECTION
	▽=0	mm	INCH	MM ONLY	2:1	METRIC	
	▽=0	4 PLACES ± ---	± ---	DRAWN BY	DATE	SALES ASSEMBLY, HDM BACKPLANE STACKING MOD CLOSED END SOLDER <b>molex</b>	
	▽=0	3 PLACES ± ---	± ---	JB INGHAM	1997/04/25		
	2 PLACES ± 0.05	± ---	CHECKED BY	DATE			
	1 PLACE ± 0.10	± ---	SREED	1997/04/25			
	0 PLACE ± ---	± ---	APPROVED BY	DATE	DOCUMENT NO.		SHEET NO.
		ANGULAR ±1/2°		CB IXLER	1997/04/25	SD-73782-001	1 OF 2
		DRAFT WHERE APPLICABLE MUST REMAIN WITHIN DIMENSIONS		SEE SHEET 2			
				THIS DRAWING CONTAINS INFORMATION THAT IS PROPRIETARY TO MOLEX INCORPORATED AND SHOULD NOT BE USED WITHOUT WRITTEN PERMISSION			

## MATERIAL NUMBER ASSIGNMENT

73782-\* \* 0 0

NUMBER	CIRCUIT SIZE	DIM "A"	DIM "B"	DIM "C"
0	72	27.6	22.00	2.0
1	144	51.6	46.00	2.0
2	72	27.6	22.00	2.5
3	144	51.6	46.00	2.5
4	72	27.6	22.00	3.0
5	144	51.6	46.00	3.0
6	72	27.6	22.00	3.5
7	144	51.6	46.00	3.5

NUMBER	DIM "H"	PACKAGING SPECIFICATION
1	15.05	PK-70873-1873
2	6.05	PK-70873-0875
3	10.05	PK-70873-0871


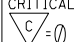
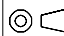
SEE SHEET 1 EC NO: UCP2013-0087 DRWN:DMORGAN 2012/08/28 CHKD:BBARKER 2012/08/28 APPR:SMILLER 2012/09/18	QUALITY SYMBOLS ▽=0 ▽=0 ▽=0	GENERAL TOLERANCES (UNLESS SPECIFIED)		DIMENSION STYLE <b>MM ONLY</b>	SCALE <b>1:1</b>	DESIGN UNITS <b>METRIC</b>	THIRD ANGLE PROJECTION																			
				<table border="1" style="width: 100%; border-collapse: collapse;"> <tr> <th></th> <th>mm</th> <th>INCH</th> </tr> <tr> <td>4 PLACES</td> <td>± ---</td> <td>± ---</td> </tr> <tr> <td>3 PLACES</td> <td>± ---</td> <td>± ---</td> </tr> <tr> <td>2 PLACES</td> <td>± 0.05</td> <td>± ---</td> </tr> <tr> <td>1 PLACE</td> <td>± 0.10</td> <td>± ---</td> </tr> <tr> <td>0 PLACE</td> <td>± ---</td> <td>± ---</td> </tr> </table>		mm	INCH	4 PLACES	± ---	± ---	3 PLACES	± ---	± ---	2 PLACES	± 0.05	± ---	1 PLACE	± 0.10	± ---	0 PLACE	± ---	± ---	DRAWN BY DATE JB INGHAM 1997/04/25	TITLE <b>SALES ASSEMBLY, HDM                  BACKPLANE STACKING MOD                  CLOSED END SOLDER</b>		
			mm	INCH																						
		4 PLACES	± ---	± ---																						
3 PLACES	± ---	± ---																								
2 PLACES	± 0.05	± ---																								
1 PLACE	± 0.10	± ---																								
0 PLACE	± ---	± ---																								
		CHECKED BY DATE SREED 1997/04/25	APPROVED BY DATE CBIXLER 1997/04/25																							
		ANGULAR ±1/2°		MATERIAL NO. <b>SEE TABLE</b>		DOCUMENT NO. <b>SD-73782-001</b>																				
		DRAFT WHERE APPLICABLE MUST REMAIN WITHIN DIMENSIONS		SHEET NO. <b>2 OF 2</b>																						

73782-\* \* 0 0

## MATERIAL NUMBER ASSIGNMENT

NUMBER	CIRCUIT SIZE	DIM "A"	DIM "B"	DIM "C"
0	72	27.6	22.00	2.0
1	144	51.6	46.00	2.0
2	72	27.6	22.00	2.5
3	144	51.6	46.00	2.5
4	72	27.6	22.00	3.0
5	144	51.6	46.00	3.0
6	72	27.6	22.00	3.5
7	144	51.6	46.00	3.5

NUMBER	DIM "H"
1	15.05
2	6.05
3	10.05

SEE SHEET 1 EC NO: UDT2000-1073 DRWN: BINGHAM 00/05/08 CHK: REED 00/05/08 APPR: BIXLER 00/05/08	MAJOR  =0	CRITICAL  =0	DESCRIPTION REV	GENERAL TOLERANCES: (UNLESS SPECIFIED)	SCALE NO: NE	DESIGN UNITS <input checked="" type="checkbox"/> mm <input type="checkbox"/> INCH	DIMENSIONS: <input type="checkbox"/> mm INCH <input type="checkbox"/> INCH mm <input checked="" type="checkbox"/> mm ONLY	THIRD ANGLE PROJECTION 	SHT REV	
	DRAWN BY & DATE JBINGHAM 97/04/25				TITLE: SALES ASSEMBLY HDM BACKPLANE STACKING MODULE CLOSED END OPTION SOLDER TAIL					
	CHECKED BY & DATE SREED 97/04/25				APPROVED BY & DATE CBIXLER 97/04/25					
	ANGLAR: ± °				CAD FILENAME S73782X2.DGN					
DRAFT WHERE APPLICABLE MUST REMAIN WITHIN DIMENSIONS				MATERIAL NO. SEE CHART DRAWING NO. SD-73782-001 SHEET NO. 2						
THIS DRAWING CONTAINS INFORMATION THAT IS PROPRIETARY TO MOLEX INCORPORATED AND SHOULD NOT BE USED WITHOUT WRITTEN PERMISSION.										