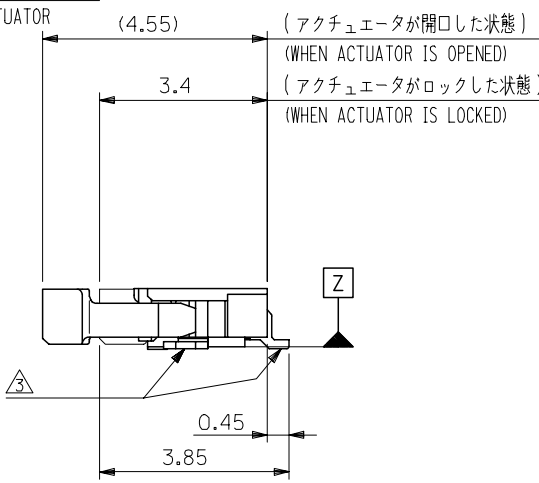
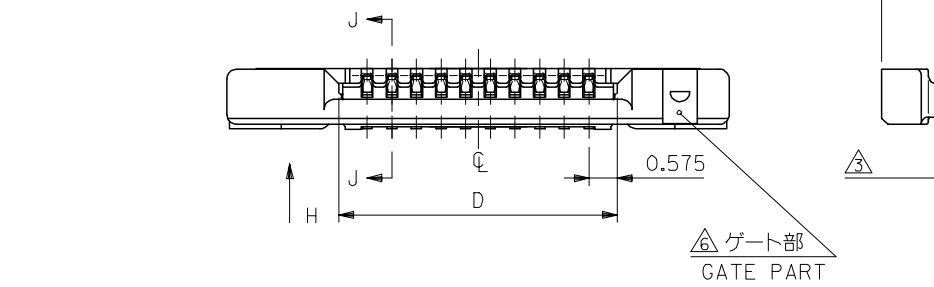
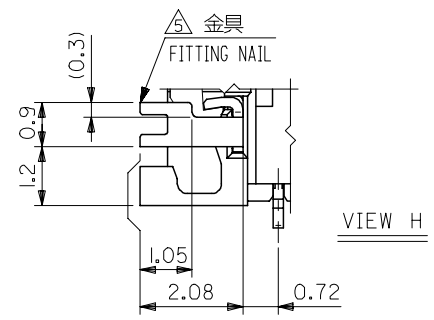


SECT. J-J
SCALE 20:1

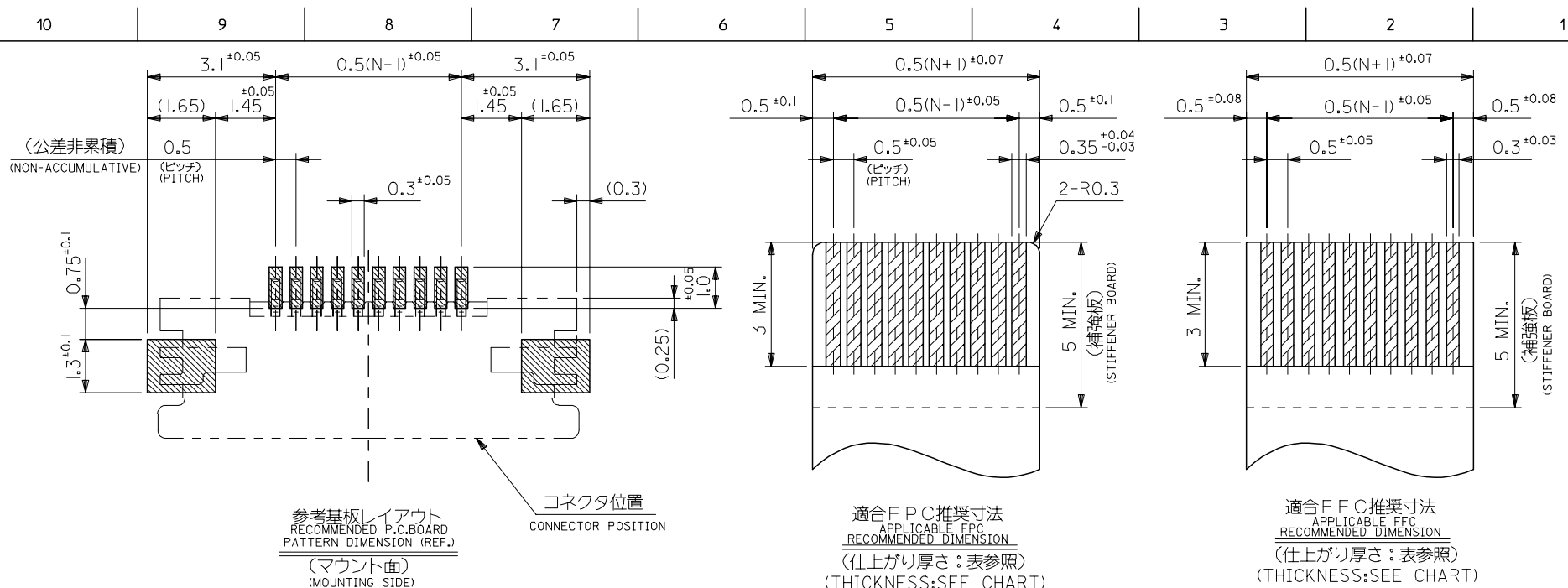


0.28 ^{+0.03}	13.65	17	12.5	18.2	54550-2617	26
	12.65	16	11.5	17.2	54550-2417	24
	11.65	15	10.5	16.2	54550-2217	22
	11.15	14.5	10	15.7	54550-2117	21
	10.65	14	9.5	15.2	54550-2017	20
	10.15	13.5	9	14.7	54550-1917	19
	9.65	13	8.5	14.2	54550-1817	18
	9.15	12.5	8	13.7	54550-1717	17
	8.65	12	7.5	13.2	54550-1617	16
	8.15	11.5	7	12.7	54550-1517	15
	7.65	11	6.5	12.2	54550-1417	14
0.3 ^{+0.03}	7.15	10.5	6	11.7	54550-1317	13
	6.65	10	5.5	11.2	54550-1217	12
	6.15	9.5	5	10.7	54550-1117	11
	5.65	9	4.5	10.2	54550-1017	10
	5.15	8.5	4	9.7	54550-0917	9
	4.65	8	3.5	9.2	54550-0817	8
	4.15	7.5	3	8.7	54550-0717	7
	3.65	7	2.5	8.2	54550-0617	6
	3.15	6.5	2	7.7	54550-0517	5
	THICKNESS OF FPC	D	C	B	A	製品番号 MATERIAL No.



REVISED EC NO: J2007-4760 DRWN: AYOYAGI 2007/02/14 CHKD: KYOYODA 2007/06/01 APPR: NUKITA 2007/06/06 M	GENERAL TOLERANCES (UNLESS SPECIFIED) 10 UNDER ±0.2 10 OVER 30 UNDER ±0.25 30 OVER ±0.3 ANGULAR ±3° DRAFT WHERE APPLICABLE MUST REMAIN WITHIN DIMENSIONS		DIMENSION STYLE MM ONLY DRAWN BY DATE M. FUJIKURA 1999/03/24 CHECKED BY DATE S. KUNISHI 1999/03/24 APPROVED BY DATE M. FUKUSHIMA 1999/03/24		SCALE 10:1 DESIGN UNITS METRIC THIRD ANGLE PROJECTION	
	TITLE 0.5 FPC CONN. ZIF HOUSING ASSY -LEAD FREE-				MODEL No. 54550-**17	
	MOLEX MOLEX INCORPORATED				SHEET NO. 1 OF 2	
	SEE CHART				DOCUMENT NO. SD-54550-005	

THIS DRAWING CONTAINS INFORMATION THAT IS PROPRIETARY TO MOLEX INCORPORATED AND SHOULD NOT BE USED WITHOUT WRITTEN PERMISSION



適合FPC推奨寸法
 APPLICABLE FPC
 RECOMMENDED DIMENSION
 (仕上がり厚さ:表参照)
 (THICKNESS:SEE CHART)

適合FFC推奨寸法
 APPLICABLE FFC
 RECOMMENDED DIMENSION
 (仕上がり厚さ:表参照)
 (THICKNESS:SEE CHART)

注記 NOTES

1. 使用材料 MATERIAL
- ハウジング : LCP, UL94V-0
 - ハウジング HOUSING
 - アクチュエータ : PPS, UL94V-0
 - アクチュエータ ACTUATOR
 - ターミナル :リン青銅、錫メッキ (t=0.2)
 - ターミナル TERMINAL PHOS-BRO.TIN-PLATED
 - 金具 :リン青銅、錫メッキ (t=0.2)
 - 金具 FITTING NAIL PHOS-BRO.TIN-PLATED
2. エンボステープ梱包時は、アクチュエータがロックした状態とする。
 IN THE PACKAGE,ACTUATOR OF PART NO.54550-**17 SHOULD BE LOCKED.
- △ソルダータール半田付け面のスレ量、及び金具半田付け面のスレ量は、基準面 Z に対し上方向 OMAX、下方向 0.15MAX、とし
 相互のバラツキ量は0.1MAXとする。
 MISALIGNMENT OF SOLDER TAILS AND FITTING NAILS FROM Z
 UPPER DIRECTION:0 MAX., LOWER DIRECTION:0.15 MAX.
 OFFSET BETWEEN UPPER AND LOWER 0.1 MAX.
- △偶数極に適用。
 APPLY FOR EVEN CIRCUIT.
- △パターンはくり止め用金具
 FITTING NAIL FOR PREVENTION OF PEELING
 OF P.C.B. PATTERN.
- △ゲート部は、左右どちらか一方にあるものとする。
 A GATE PART -- RIGHT AND LEFT -- IT SHALL BE IN EITHER.
7. N: 極数 N: CIRCUIT.

FPC/FFC について:
 打ち抜き方向は導体側から補強板側を推奨します。
 導体部については軟銅箔35μmまたは50μmを推奨します。

ABOUT FPC/FFC
 RECOMMENDED PUNCHER DIRECTION : FROM CONDUCTOR SIDE TO STIFFENER FILM SIDE.
 RECOMMENDED CONDUCTOR SPEC :
 THICKNESS OF SOFT COPPER FOIL : 35 MICROMETER OR 50 MICROMETER.

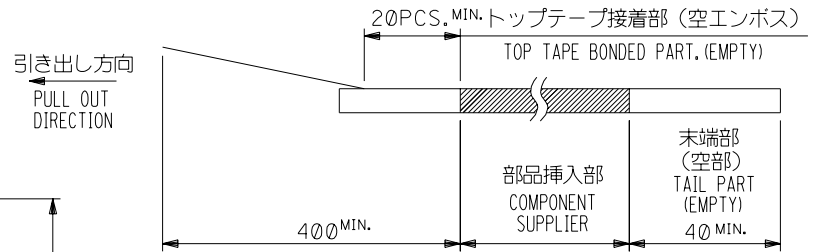
FPC について:
 補強フィルム材質はポリイミドを推奨します。ベースフィルムは25μmを推奨します。
 接着剤は熱硬化接着剤を推奨します。
 尚、接着剤の接点部への付着は導通不良の原因になりますので、染み出しが無い様、お願い致します。

ABOUT FPC
 RECOMMENDED MATERIAL/THICKNESS.
 STIFFENER FILM : POLYIMIDE
 BASE FILM THICKNESS : 25μm
 BONDING AGENT : THERMOSETTING BONDING AGENT
 PLEASE PUT APPROPRIATE AMOUNT OF ADHESIVE ON THE CONTACT AREA BECAUSE THE EXTRA ADHESIVE MAY CAUSE THE DEFECT IN ELECTRICAL CONTINUITY.

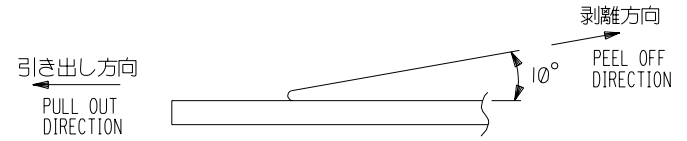
REVISED EC NO: J2007-4760 DRWN: A0YAGI CHKD: TOYODA APPR: NUKITA	DESCRIPTION 2007/02/14 2007/06/01 2007/06/06	GENERAL TOLERANCES (UNLESS SPECIFIED)		DIMENSION STYLE MM ONLY		SCALE ---	DESIGN UNITS METRIC	MODEL No. 54550-**17	THIRD ANGLE PROJECTION
		10 UNDER	±0.2	DRAWN BY M.FUJIKURA	DATE 1999/03/24	TITLE 0.5 FPC CONN. ZIF HOUSING ASSY -LEAD FREE-			
		10 OVER 30 UNDER	±0.25	CHECKED BY S.KUNISHI	DATE 1999/03/24	MATERIAL NO. SEE SHEET 1			
		30 OVER	±0.3	APPROVED BY M.FUKUSHIMA	DATE 1999/03/24	DOCUMENT NO. SD-54550-005			
M	REV	ANGULAR ±3 °		DRAFT WHERE APPLICABLE MUST REMAIN WITHIN DIMENSIONS		SHEET NO. 2 OF 2		SHEET NO. 2 OF 2	

NOTES

- 製品詳細寸法については図面 54550-**17 を参照下さい。
RE DETAILED DIMENSION, SEE 54550-**17
- 梱包数量：3000個/リール
NUMBER OF CONNECTORS : 3000PCS/REEL
- リードテープ長さ LEAD TAPE LENGTH

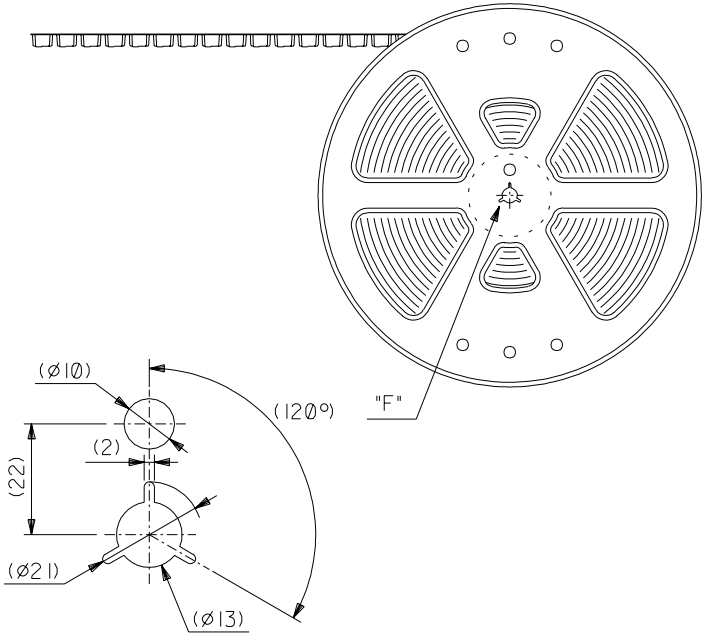


- トップテープの剥離強度：0.1N ~ 0.7N(10.2gf ~ 71.4gf)
(剥離方向は下図参照)
尚、本規格値は出荷時に適用。(但し、輸送時に剥離が発生しないこと。)
PEELING OFF FORCE OF TOP TAPE : 0.1N ~ 0.7N(10.2gf ~ 71.4gf)
(PEELING DIRECTION AS SHOWN IN FOLLOWING FIG.)
THIS REQUIREMENT SHOULD BE APPLIED AT SHIPMENT.
PEEL OFF SHOULD NOT BE ALLOWED , DURING TRANSPORTATION.

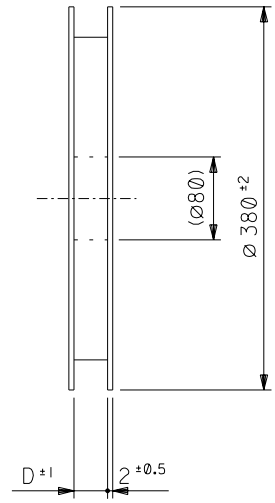


- 材料(MATERIAL)
キャリアテープ(CARRIER TAPE)：ポリプロピレン(POLYPROPYLENE)
トップテープ(TOP TAPE)：PET , PE , PEF
リール(REEL)：ポリスチレン (PS) <リサイクル材を含む>
POLYSTYREN(PS) <RECYCLE MATERIAL CONTAINED>

引き出し方向
PULL OUT

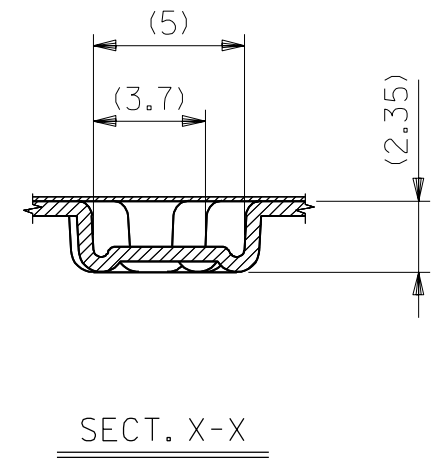
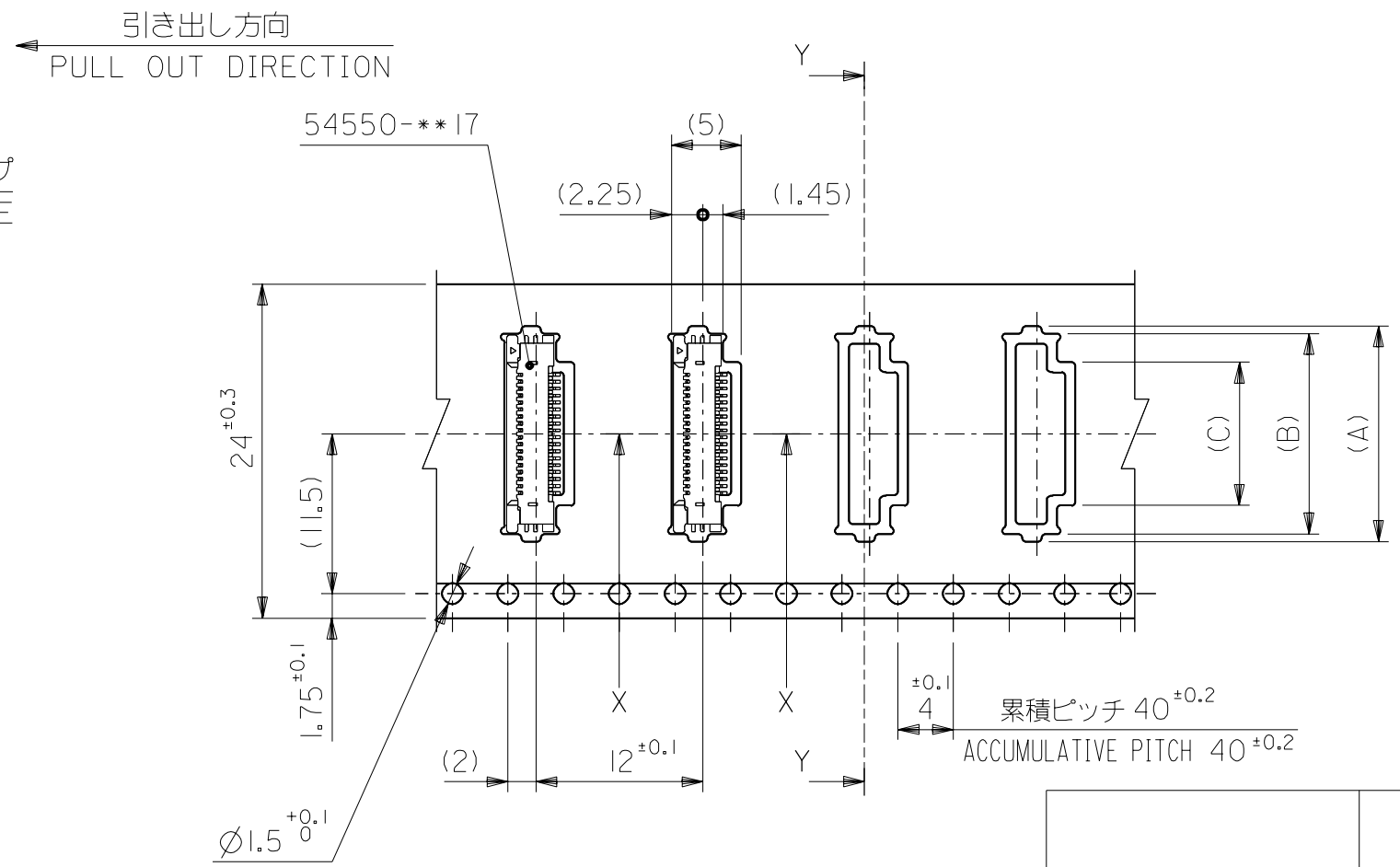
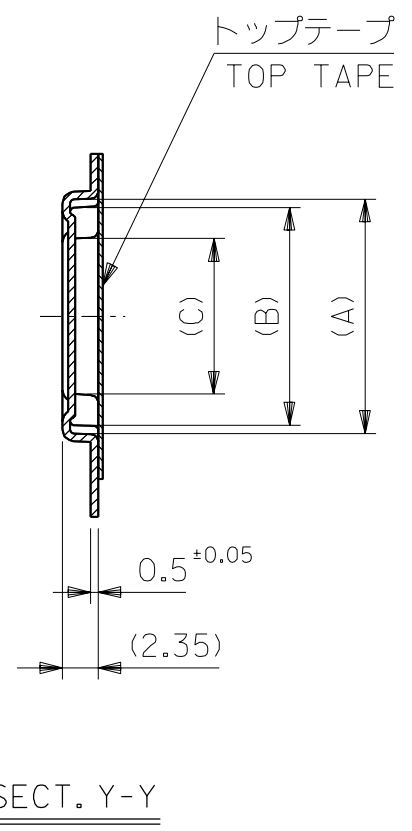


DETAIL "F"



EC NO. DRWN: CH'K: APPR:		REVISED EC NO. J2004-0609 DRWN: R.SUMIYA 03/09/17 CH'K: T.ITO 03/09/17 APPR: I.YAMAGUCHI 03/09/17		REVISED EC NO. J2003-2548 DRWN: M.FUJIKURA 03/04/03 CH'K: K.KASAKAWA 03/04/04 APPR: I.YAMAGUCHI 03/04/04		REVISED EC NO. J2002-2828 DRWN: T.HANYU 02/5/15 CH'K: M.SASAO 02/5/15 APPR: M.SASAO 02/5/15		MATERIAL 材料 注記参照 SEE NOTES		GENERAL TOLERANCES: (UNLESS SPECIFIED) 一般公差		54550-**90		MODEL No.		DIMENSIONS:		SHT REV			
EC NO. DRWN: CH'K: APPR:		EC NO. DRWN: CH'K: APPR:		EC NO. DRWN: CH'K: APPR:		EC NO. DRWN: CH'K: APPR:		FINISH 仕上げ //		10 UNDER 未満 ±0.2		SCALE — #		DESIGN UNITS <input checked="" type="checkbox"/> mm <input type="checkbox"/> INCH		THIRD ANGLE PROJECTION <input checked="" type="checkbox"/> mm <input type="checkbox"/> INCH		mm ONLY		REVISE ON CAD ONLY	
EC NO. DRWN: CH'K: APPR:		EC NO. DRWN: CH'K: APPR:		EC NO. DRWN: CH'K: APPR:		EC NO. DRWN: CH'K: APPR:		WIRE RANGE 適用層線範囲 //		10 OVER 30 UNDER 未満 ±0.25		DRAWN BY & DATE M.FUJIKURA '99/03/24		TITLE: 0.5 FPC Conn ZIF Hsg Assy SMT RA Upper Contact Embstp Pkg		MATERIAL NO. DRAWING NO. SD-54550-006		SHEET NO. 1 OF 4			
EC NO. DRWN: CH'K: APPR:		EC NO. DRWN: CH'K: APPR:		EC NO. DRWN: CH'K: APPR:		EC NO. DRWN: CH'K: APPR:		ANGLE 角度 ±3°		CHECKED BY & DATE S.KUNISHI '99/03/24		MOLEX INCORPORATED									
EC NO. DRWN: CH'K: APPR:		EC NO. DRWN: CH'K: APPR:		EC NO. DRWN: CH'K: APPR:		EC NO. DRWN: CH'K: APPR:		INS. RANGE 被覆外径 //		30 OVER 以上 ±0.3		APPROVED BY & DATE M.FUKUSHIMA '99/03/24		CAD FILENAME SD-54550-006.S01		SIZE B		EN-02J(097) MXJ-54			

DWG. NO.
SD-54550-006



24mm幅キャリアテープ
24mm WIDTH CARRIER TAPE

累積ピッチ 40±0.2
ACCUMULATIVE PITCH 40±0.2

24	25.5	12.3	16.4	17.5	54550-2290	22	
		11.8	15.9	17	54550-2190	21	
		11.3	15.4	16.5	54550-2090	20	
		10.8	14.9	16	54550-1990	19	
		10.3	14.4	15.5	54550-1890	18	
		9.8	13.9	15	54550-1790	17	
		9.3	13.4	14.5	54550-1690	16	
		8.8	12.9	14	54550-1590	15	
		8.3	12.4	13.5	54550-1490	14	
		7.8	11.9	13	54550-1390	13	
		7.3	11.4	12.5	54550-1290	12	
		6.8	10.9	12	54550-1190	11	
		6.3	10.4	11.5	54550-1090	10	
		5.8	9.9	11	54550-0990	9	
		5.3	9.4	10.5	54550-0890	8	
4.8	8.9	10	54550-0790	7			
キャリアテープ幅 CARRIER TAPE WIDTH		D	(C)	(B)	(A)	製品番号 MATERIAL No.	極数 Ck+

DO NOT SCALE DRAWING

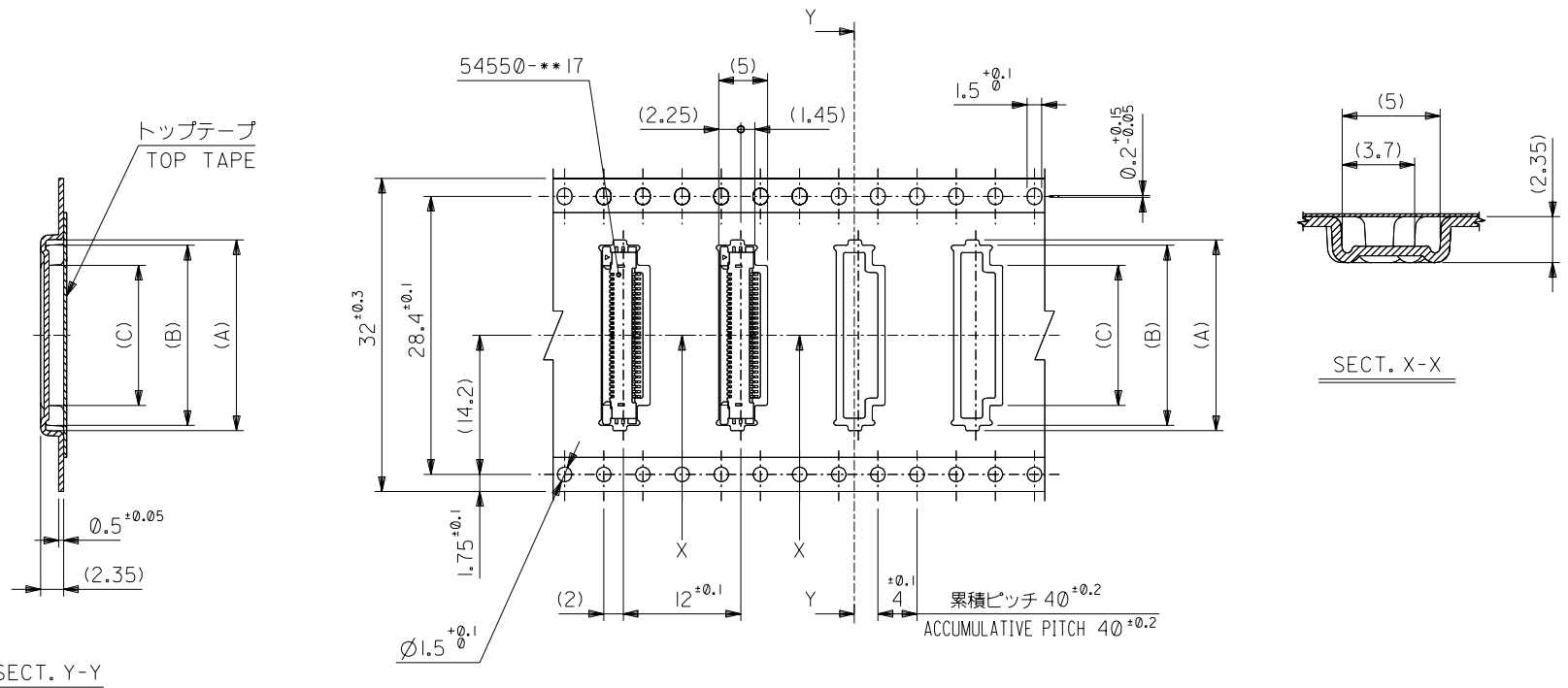
EC NO. DRWN: CHK: APPR:	EC NO. DRWN: CHK: APPR:	EC NO. DRWN: CHK: APPR:	EC NO. DRWN: CHK: APPR:	SEE SHEET 1 OF 4	DESCRIPTION
		M	L	K	MATERIAL 材料
					FINISH 仕上げ
					WIRE RANGE 適用電線範囲
					INS. RANGE 被覆外径

SHEET 1 OF 4 参照 REFER TO SHEET 1 OF 4		GENERAL TOLERANCES: (UNLESS SPECIFIED) 一般公差
10 UNDER 未満	±0.2	
10 OVER 以上	±0.25	30 UNDER 未満
30 OVER 以上	±0.3	
ANGLE 角度	±3°	

54550-**90		MODEL No.	DIMENSIONS:		SHT	REV
SCALE	DESIGN UNITS	THIRD ANGLE PROJECTION	<input type="checkbox"/> mm	<input type="checkbox"/> INCH	REVISE ON CAD ONLY	
—#—	<input checked="" type="checkbox"/> mm <input type="checkbox"/> INCH		<input type="checkbox"/> INCH	<input checked="" type="checkbox"/> mm ONLY		
DRAWN BY & DATE M.FUJIKURA '99/03/24		TITLE: 0.5 FPC Conn ZIF Hsg Assy SMT RA Upper Contact Embstp Pkg				
CHECKED BY & DATE S.KUNISHI '99/03/24		MOLEX INCORPORATED				
APPROVED BY & DATE M.FUKUSHIMA '99/03/24						
CAD FILENAME SD-54550-006.S03		MATERIAL NO. SEE CHART	DRAWING NO. SD-54550-006	SHEET NO. 3 OF 4		
THIS DRAWING CONTAINS INFORMATION THAT IS PROPRIETARY TO MOLEX INCORPORATED AND SHOULD NOT BE USED WITHOUT WRITTEN PERMISSION.					SIZE B	

SD-54550-006.S03

引き出し方向
PULL OUT DIRECTION



32mm幅キャリアテープ
32mm WIDTH CARRIER TAPE

32	33.5	14.3	18.4	19.5	54550-2690	26
		13.3	17.4	18.5	54550-2490	24
キャリアテープ幅 CARRIER TAPE WIDTH	D	(C)	(B)	(A)	製品番号 MATERIAL No.	種数 Ck+

DO NOT SCALE DRAWING

EC NO. DRAWN: CHK: APPR:	EC NO. DRAWN: CHK: APPR:	EC NO. DRAWN: CHK: APPR:	EC NO. DRAWN: CHK: APPR:	EC NO. DRAWN: CHK: APPR:	EC NO. DRAWN: CHK: APPR:	DESCRIPTION	MATERIAL 材料	GENERAL TOLERANCES: (UNLESS SPECIFIED) 一般公差
		M	L	K	SEE SHEET 1 OF 4	SHEET 1 OF 4 参照 REFER TO SHEET 1 OF 4		SCALE
						FINISH 仕上げ	10 UNDER 未満	DESIGN UNITS
						WIRE RANGE 適用層被範囲	10 OVER 30 UNDER 以上 未満	THIRD ANGLE PROJECTION
						INS. RANGE 被覆外径	30 OVER 以上	DIMENSIONS:
							ANGLE 角度	mm INCH mm INCH

54550-**-90	MODEL No.	DIMENSIONS:		SHT	REV
		mm INCH	mm INCH		
DRAWN BY & DATE N.YANO '99/10/25		TITLE: 0.5 FPC Conn ZIF Hsg Assy SMT RA Upper Contact Embstp Pkg			
CHECKED BY & DATE S.KUNISHI '99/10/25		MOLEX INCORPORATED			
APPROVED BY & DATE M.FUKUSHIMA '99/10/25		MATERIAL NO.	DRAWING NO.	SHEET NO.	
CAD FILENAME SD-54550-006.S04		SEE CHART	SD-54550-006	4 OF 4	
THIS DRAWING CONTAINS INFORMATION THAT IS PROPRIETARY TO MOLEX INCORPORATED AND SHOULD NOT BE USED WITHOUT WRITTEN PERMISSION.					SIZE B