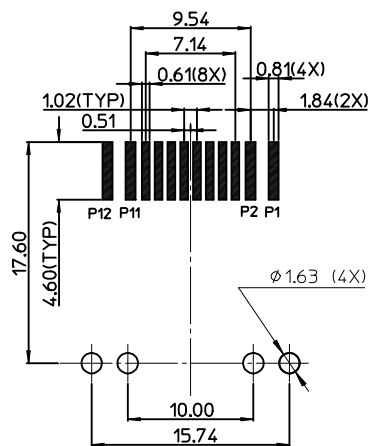
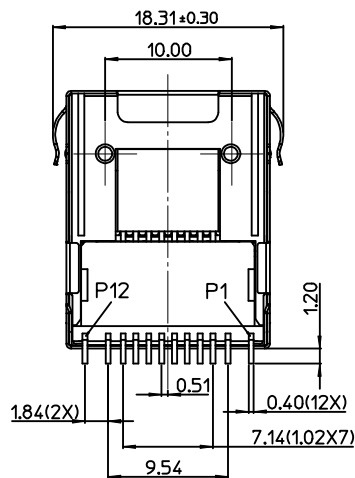
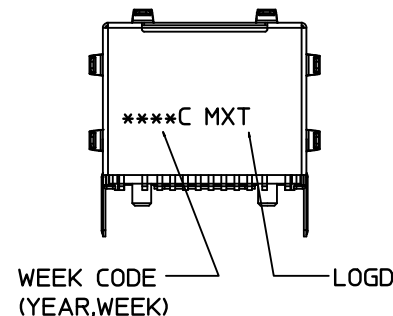
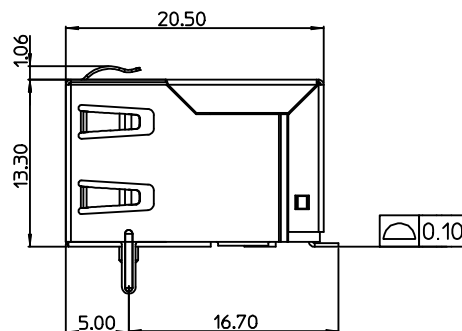
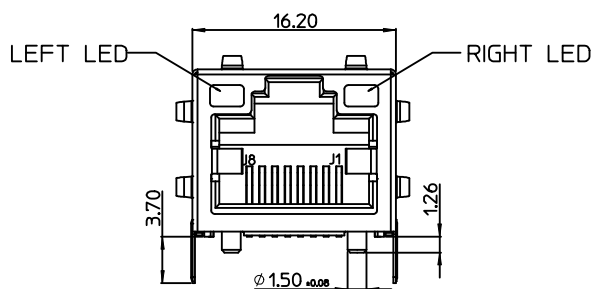


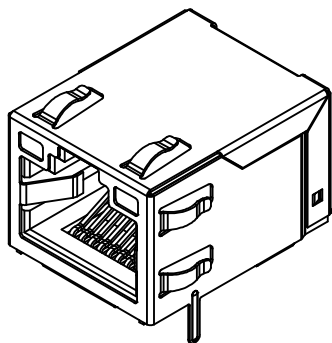
MECHANICAL DEMENSION



RECOMMENDED PCB LAYOUT  
ALL DIMENSION TOLERANCE ARE ±0.05

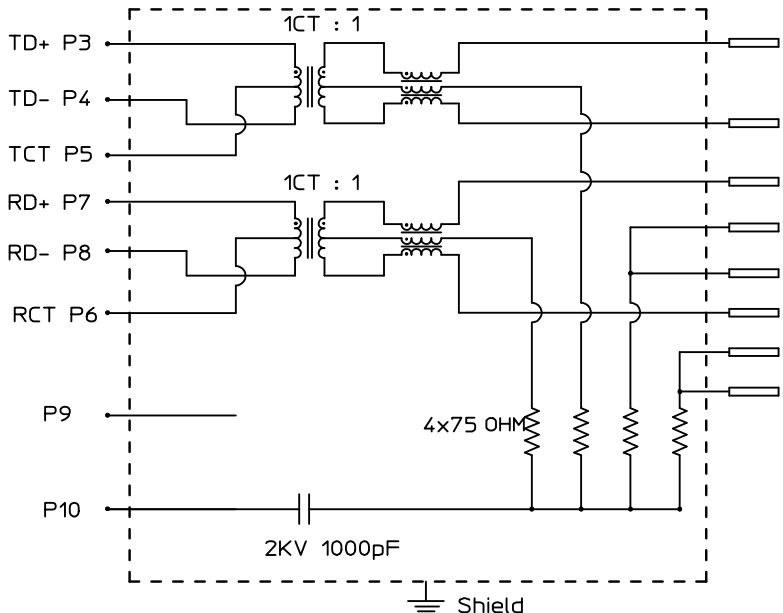
NOTES:

- 1.MATERIAL:  
HOUSING:HIGH TEMP THERMOPLASTIC,UL94V-0,COLOR BLACK.  
RJ45 TERMINAL:PHOSPHOR BRONZE.  
TERMINAL P:BRASS  
SHELL:BRASS
- 2.PLATING:  
RJ45 TERMINAL:  
CONTACT AREA:GOLD(Au),THICKNESS=30 MICROINCH/0.76 MICROMETER MIN.  
SOLID TAIL:TIN(Sn), THICKNESS=80 MICROINCH/2.00 MICROMETER MIN.  
UNDER PLATE:NICKEL(Ni), THICKNESS=50 MICROINCH/1.27 MICROMETER MIN.  
TERMINAL P:  
TIN(Sn), THICKNESS=100 MICROINCH/2.54 MICROMETER MIN. OVERALL  
SHELL:  
SOLDER TAIL:PRE-SOLDER TIN(Sn).  
UNDER PLATE:NICKEL(Ni), THICKNESS=50 MICROINCH/1.27 MICROMETER MIN.
- 3.FOR IR REFLOW PROCESS. TIN PLATED AREA.
- 4.RECOMMENDED PCB THICKNESS=1.60±0.05
- 5.PRODUCT SPECIFICATION REFER TO PS-48074-006.
- 6.TEST SUMMARY REFER TO TS-48074-006.
- 7.PACKAGING SPECIFICATION REFER TO PK-48074-101.
- 8.COPLANARITY: 0.10 MAX.
- 9.LEAD FREE & RoHS COMPLIANT PRODUCT.



RELEASED EC NO: SH2015-0136 DRWN:FYANG05 2014/09/23 CHKD: APPR:RZHANG 2015/03/12	QUALITY SYMBOLS $F_A=0$ $F_C=0$ $F_P=0$	GENERAL TOLERANCES (UNLESS SPECIFIED)		DIMENSION STYLE MM ONLY		SCALE	DESIGN UNITS	THIRD ANGLE PROJECTION	
		mm	INCH	DRAWN BY	DATE	TITLE	IMPROVED MODULAR JACK INTERGRATED MAGNETICS SMT,LED		SHEET NO. 1 OF 2
		4 PLACES ± --- ± ---	3 PLACES ± --- ± ---	FYANG05	2014/09/23				
		2 PLACES ± 0.25 ± ---	1 PLACE ± 0.25 ± ---	CHECKED BY	DATE				
	0 PLACE ± --- ± ---	APPROVED BY	DATE	MATERIAL NO. 48074-9101		DOCUMENT NO. SD-48074-102			
	ANGULAR ± 3 °	DRAFT WHERE APPLICABLE MUST REMAIN WITHIN DIMENSIONS		SIZE	THIS DRAWING CONTAINS INFORMATION THAT IS PROPRIETARY TO MOLEX INCORPORATED AND SHOULD NOT BE USED WITHOUT WRITTEN PERMISSION				
A	REV			A3					

**SCHEMATIC:**



**PORT P/PROT A**

- J1 TX+
- J2 TX-
- J3 RX+
- J4
- J5
- J6 RX-
- J7
- J8

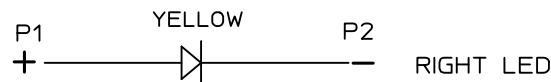
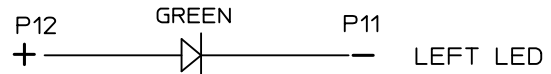
**MAGNETIC ELECTRICAL SPECIFICATION**

PARAMETER	SPECIFICATIONS		
INSERTION LOSS	100 KHZ		
	1.0 dB MAX.		
RETURN LOSS (Z OUT=100 OHM±15%)	1-10 MHz	30 MHz	60-80 MHz
	20 dB MIN	16 dB MIN	12 dB MIN
CROSSTALK	1-10 MHz	30-60 MHz	60-100 MHz
	40 dB MIN	35 dB MIN	30 dB MIN
COMMON MODE REJECTION RATIO	1-50 MHz	50-130 MHz	
	30 dB MIN	20 dB MIN	

HI-POT	(P1-P12 And Shield)Short TO PORT (J1-J8)Short	AC1500V 1.5mA 60SEC
	(P1-P12 And Shield)Short TO PORT (J1-J8)Short	DC2250V 1.5mA 60SEC

**LED ELECTRICAL SPECIFICATION**

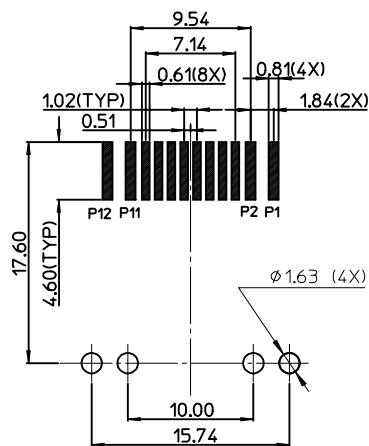
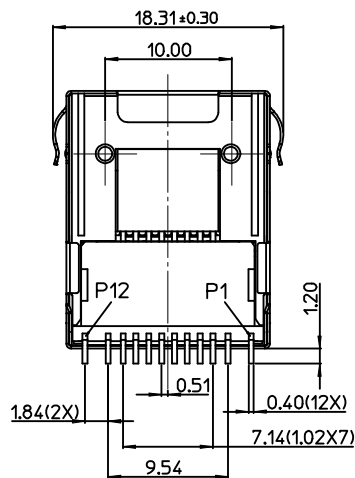
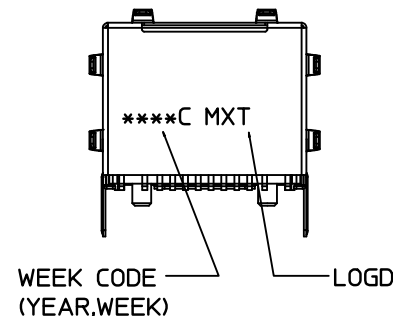
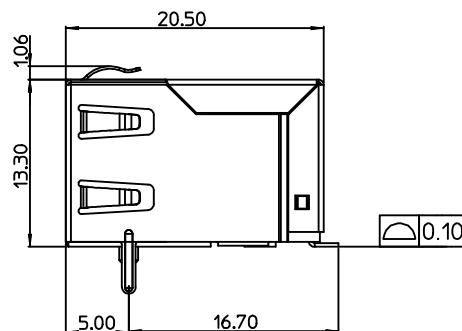
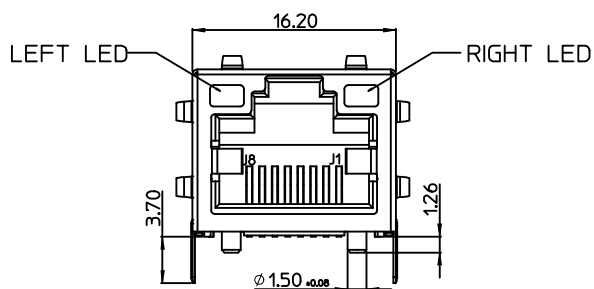
PARAMETER	YELLOW	GREEN	UNITS	TEST CONDITIONS
POWER DISSIPATION	60	60	mW	
REVERSE VOLTAGE	5	5	V	
PEAK WAVELENGTH	585~597	564.5~576.5	nm	IF=20mA
FORWARD VOLTAGE	2.1	2.2	V	IF=20mA



**LED SCHEMATIC:**

SEE SHEET1 EC NO: SHZ015-0136 DRWN:FYANG05 2014/09/23 CHKD: APPR:RZHANG 2015/03/12	QUALITY SYMBOLS	GENERAL TOLERANCES (UNLESS SPECIFIED)	DIMENSION STYLE	SCALE	DESIGN UNITS	THIRD ANGLE PROJECTION
	$F_A=0$ $F_G=0$ $F_P=0$	mm    INCH 4 PLACES ± --- ± --- 3 PLACES ± --- ± --- 2 PLACES ± 0.25 ± --- 1 PLACE ± 0.25 ± --- 0 PLACE ± --- ± ---	MM ONLY	1:1	METRIC	
		ANGULAR ± 3 °	DRAWN BY	DATE	TITLE	
		DRAFT WHERE APPLICABLE MUST REMAIN WITHIN DIMENSIONS	FYANG05	2014/09/23	IMPROVED MODULAR JACK INTERGRATED MAGNETICS SMT,LED	
		CHECKED BY	DATE			
		APPROVED BY	DATE			
		RZHANG	2015/03/12			
		MATERIAL NO.		SEE SHEET1	DOCUMENT NO.	SHEET NO.
					SD-48074-102	2 OF 2
				THIS DRAWING CONTAINS INFORMATION THAT IS PROPRIETARY TO MOLEX INCORPORATED AND SHOULD NOT BE USED WITHOUT WRITTEN PERMISSION		

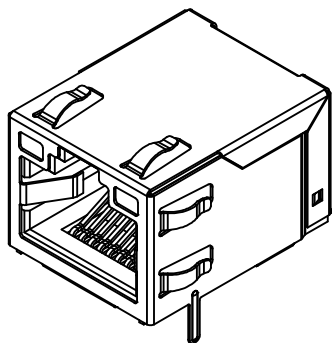
MECHANICAL DEMENSION



RECOMMENDED PCB LAYOUT  
ALL DIMENSION TOLERANCE ARE ±0.05

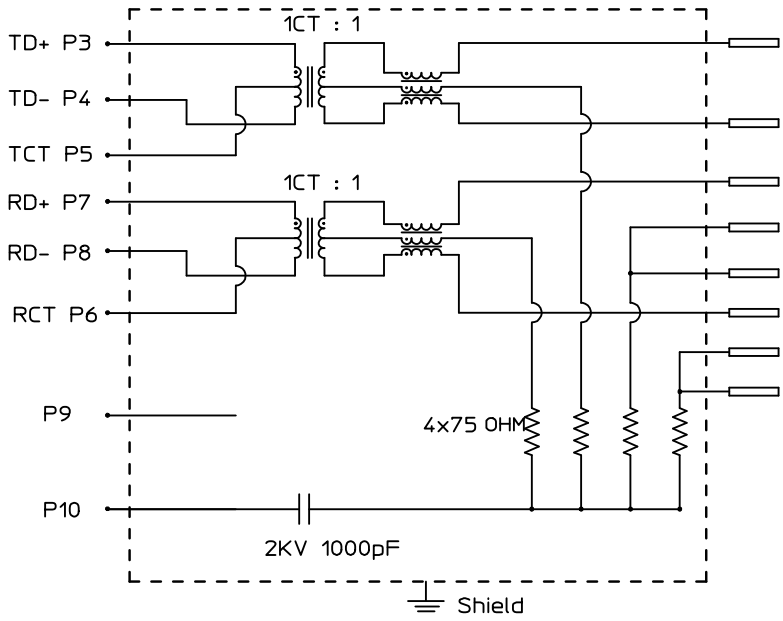
NOTES:

- 1.MATERIAL:  
HOUSING:HIGH TEMP THERMOPLASTIC,UL94V-0,COLOR BLACK.  
RJ45 TERMINAL:PHOSPHOR BRONZE.  
TERMINAL P:BRASS  
SHELL:BRASS
- 2.PLATING:  
RJ45 TERMINAL:  
CONTACT AREA:GOLD(Au),THICKNESS=30 MICROINCH/0.76 MICROMETER MIN.  
SOLID TAIL:TIN(Sn), THICKNESS=80 MICROINCH/2.00 MICROMETER MIN.  
UNDER PLATE:NICKEL(Ni), THICKNESS=50 MICROINCH/1.27 MICROMETER MIN.  
TERMINAL P:  
TIN(Sn), THICKNESS=100 MICROINCH/2.54 MICROMETER MIN. OVERALL  
SHELL:  
SOLDER TAIL:PRE-SOLDER TIN(Sn).  
UNDER PLATE:NICKEL(Ni), THICKNESS=50 MICROINCH/1.27 MICROMETER MIN.
- 3.FOR IR REFLOW PROCESS. TIN PLATED AREA.
- 4.RECOMMENDED PCB THICKNESS=1.60±0.05
- 5.PRODUCT SPECIFICATION REFER TO PS-48074-006.
- 6.TEST SUMMARY REFER TO TS-48074-006.
- 7.PACKAGING SPECIFICATION REFER TO PK-48074-101.
- 8.COPLANARITY: 0.10 MAX.
- 9.LEAD FREE & RoHS COMPLIANT PRODUCT.



RELEASED EC NO: SH2015-0136 DRWN:FYANG05 2014/09/23 CHKD: APPR:RZHANG 2015/03/12	QUALITY SYMBOLS $F_A=0$ $F_C=0$ $F_P=0$	GENERAL TOLERANCES (UNLESS SPECIFIED)		DIMENSION STYLE MM ONLY		SCALE	DESIGN UNITS	THIRD ANGLE PROJECTION
		mm	INCH	DRAWN BY		DATE	TITLE	IMPROVED MODULAR JACK INTERGRATED MAGNETICS SMT,LED
		4 PLACES ± ---	± ---	FYANG05		2014/09/23		
		3 PLACES ± ---	± ---	CHECKED BY		DATE		DOCUMENT NO.
2 PLACES ± 0.25	± ---	APPROVED BY		DATE	SD-48074-102	1 OF 2		
1 PLACE ± 0.25	± ---	RZHANG		2015/03/12				
0 PLACE ± ---	± ---	MATERIAL NO.		48074-9101		THIS DRAWING CONTAINS INFORMATION THAT IS PROPRIETARY TO MOLEX INCORPORATED AND SHOULD NOT BE USED WITHOUT WRITTEN PERMISSION		
ANGULAR ± 3 °		DRAFT WHERE APPLICABLE MUST REMAIN WITHIN DIMENSIONS		SIZE				
				A3				

**SCHEMATIC:**



**PORT P/PROT A**

- J1 TX+
- J2 TX-
- J3 RX+
- J4
- J5
- J6 RX-
- J7
- J8

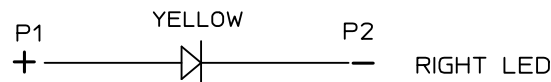
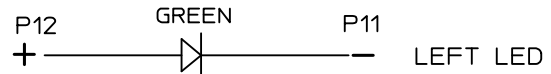
**MAGNETIC ELECTRICAL SPECIFICATION**

PARAMETER	SPECIFICATIONS		
INSERTION LOSS	100 KHZ		
	1.0 dB MAX.		
RETURN LOSS (Z OUT=100 OHM±15%)	1-10 MHz	30 MHz	60-80 MHz
	20 dB MIN	16 dB MIN	12 dB MIN
CROSSTALK	1-10 MHz	30-60 MHz	60-100 MHz
	40 dB MIN	35 dB MIN	30 dB MIN
COMMON MODE REJECTION RATIO	1-50 MHz	50-130 MHz	
	30 dB MIN	20 dB MIN	

HI-POT	(P1-P12 And Shield)Short TO PORT (J1-J8)Short	AC1500V 1.5mA 60SEC
	(P1-P12 And Shield)Short TO PORT (J1-J8)Short	DC2250V 1.5mA 60SEC

**LED ELECTRICAL SPECIFICATION**

PARAMETER	YELLOW	GREEN	UNITS	TEST CONDITIONS
POWER DISSIPATION	60	60	mW	
REVERSE VOLTAGE	5	5	V	
PEAK WAVELENGTH	585~597	564.5~576.5	nm	IF=20mA
FORWARD VOLTAGE	2.1	2.2	V	IF=20mA



**LED SCHEMATIC:**

SEE SHEET1 EC NO: SHZ015-0136 DRWN:FYANG05 2014/09/23 CHKD: APPR:RZHANG 2015/03/12	QUALITY SYMBOLS	GENERAL TOLERANCES (UNLESS SPECIFIED)	DIMENSION STYLE	SCALE	DESIGN UNITS	THIRD ANGLE PROJECTION
	$F_A=0$ $F_G=0$ $F_P=0$	mm    INCH 4 PLACES ± --- ± --- 3 PLACES ± --- ± --- 2 PLACES ± 0.25 ± --- 1 PLACE ± 0.25 ± --- 0 PLACE ± --- ± ---	MM ONLY	1:1	METRIC	
		ANGULAR ± 3 °	DRAWN BY	DATE	TITLE	
		DRAFT WHERE APPLICABLE MUST REMAIN WITHIN DIMENSIONS	FYANG05	2014/09/23	IMPROVED MODULAR JACK INTERGRATED MAGNETICS SMT,LED	
		CHECKED BY	DATE			
		APPROVED BY	DATE			
		RZHANG	2015/03/12			
		MATERIAL NO.		SEE SHEET1	DOCUMENT NO.	SHEET NO.
					SD-48074-102	2 OF 2
				THIS DRAWING CONTAINS INFORMATION THAT IS PROPRIETARY TO MOLEX INCORPORATED AND SHOULD NOT BE USED WITHOUT WRITTEN PERMISSION		