

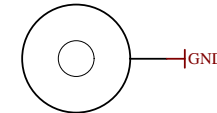
1

2

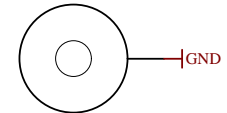
3

4

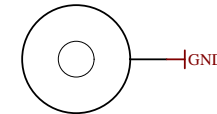
U_J1 J1.SchDoc	U_B_PS_GT B_PS_GT.SchDoc	U_DDR4-TERM DDR4-TERM.SchDoc
U_J2 J2.SchDoc	U_PS_DDR PS_DDR.SchDoc	U_ZU_POWER ZU_POWER.SchDoc
U_J3 J3.SchDoc	U_B_MIO B_MIO.SchDoc	U_ZU_PS_POWER ZU_PS_POWER.SchDoc
U_J4 J4.SchDoc	U_B_HD B_HD.SchDoc	U_POWER POWER.SchDoc
U_DDR4-TERM DDR4-TERM.SchDoc	U_Clock Clock.SchDoc	U_POWER_2 POWER_2.SchDoc
U_B64 B64.SchDoc	U_CONFIG CONFIG.SchDoc	U_POWER_3 POWER_3.SchDoc
U_B65 B65.SchDoc	U_DDR4-RAM DDR4-RAM.SchDoc	U_POWER_4 POWER_4.SchDoc
U_B66 B66.SchDoc	U_DDR4-RAM_2 DDR4-RAM_2.SchDoc	
U_B_GT B_GT.SchDoc	U_DDR4-RAM_3 DDR4-RAM_3.SchDoc	
U_B_GT_2 B_GT_2.SchDoc	U_DDR4-RAM_4 DDR4-RAM_4.SchDoc	



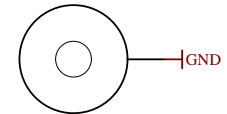
Mount.Hole 3.2mm für Unterlegscheibe



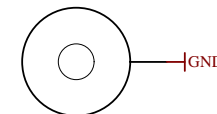
Mount.Hole 3.2mm für Unterlegscheibe



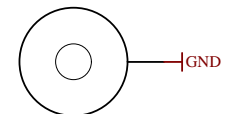
Mount.Hole 3.2mm für Unterlegscheibe



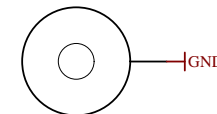
Mount.Hole 3.2mm für Unterlegscheibe



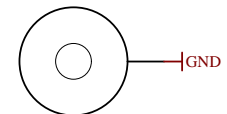
Mount.Hole 3.2mm für Unterlegscheibe



Mount.Hole 3.2mm für Unterlegscheibe



Mount.Hole 3.2mm für Unterlegscheibe



Mount.Hole 3.2mm für Unterlegscheibe

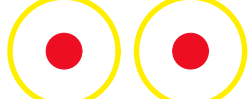
FIDU-DOT - small FIDU-DOT - small



PM1 PM2
FIDU-DOT - small FIDU-DOT - small



PM3 PM4
FIDU-DOT - small FIDU-DOT - small



PM5 PM6

LOGO1

TE Logo PRINT Layer

LOGO PRINT

Serial

Serial

Serialnumber 6,3 x 6.3mm



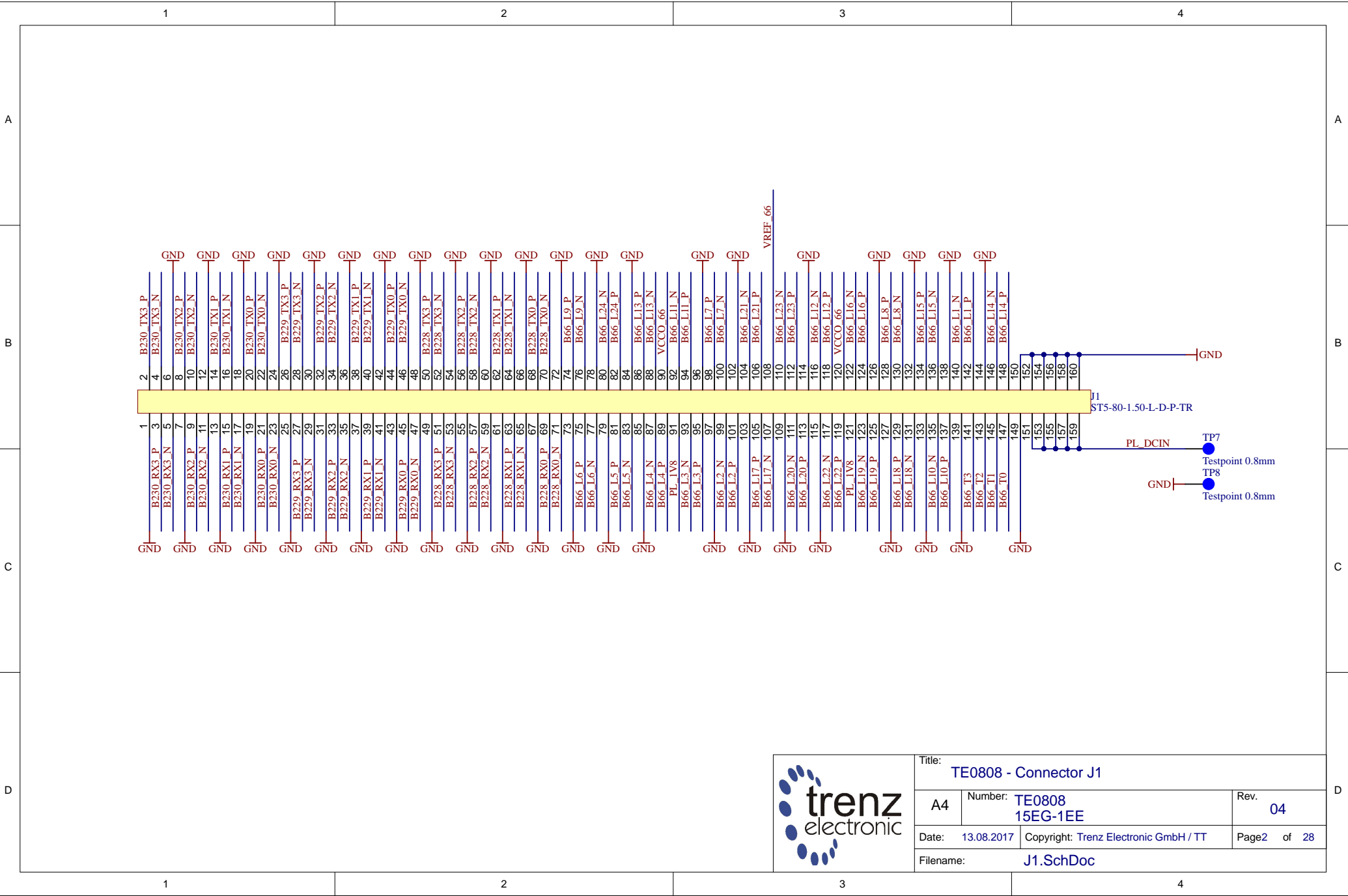
Title: TE0808		
A4	Number: TE0808 15EG-1EE	Rev. 04
Date: 13.08.2017	Copyright: Trenz Electronic GmbH / TT	Page1 of 28
Filename: TE0808.SchDoc		

1

2

3

4



Title: TE0808 - Connector J1			
A4	Number: TE0808 15EG-1EE	Rev. 04	
Date: 13.08.2017	Copyright: Trenz Electronic GmbH / TT	Page2 of 28	
Filename: J1.SchDoc			

1

2

3

4

A

A

B

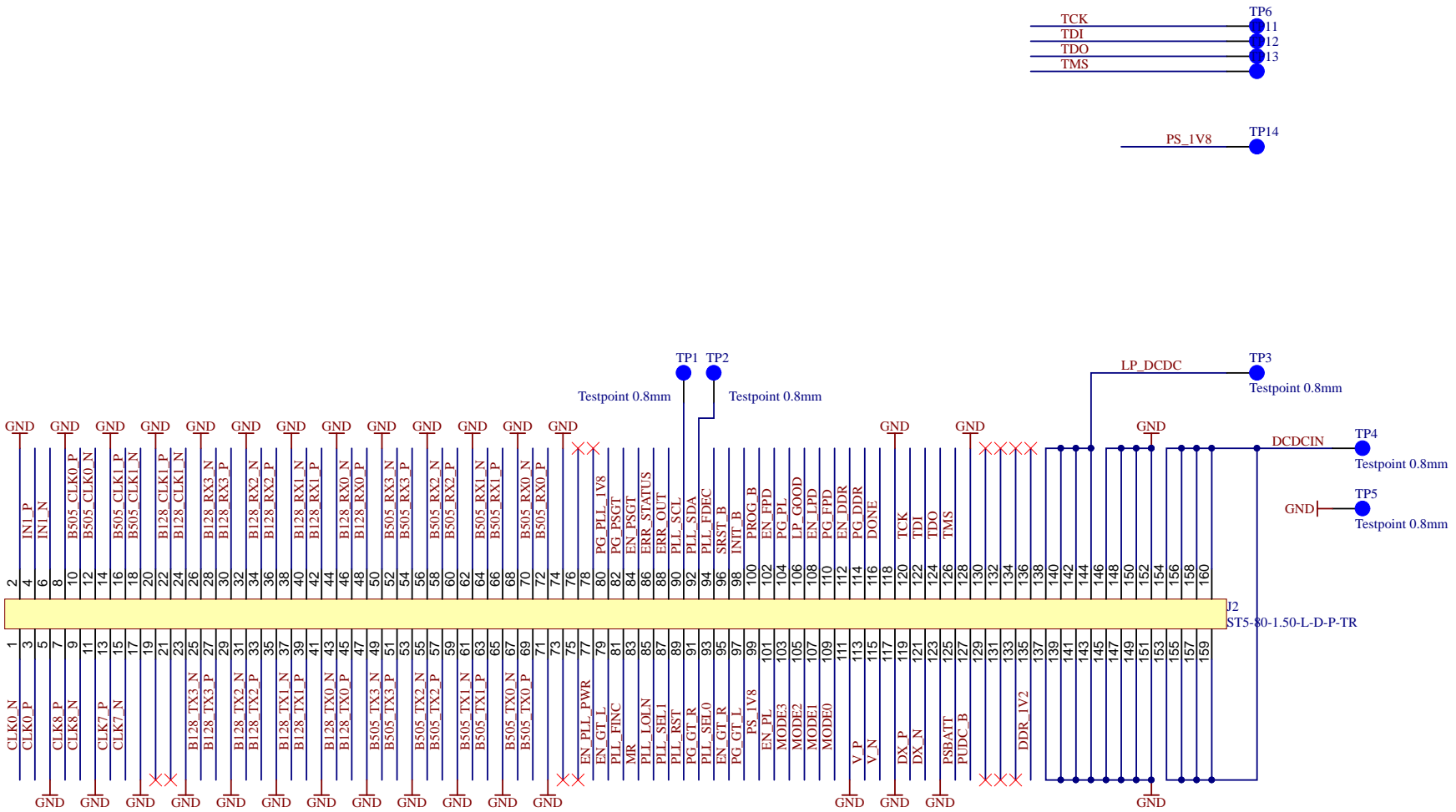
B

C

C

D

D



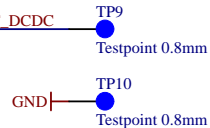
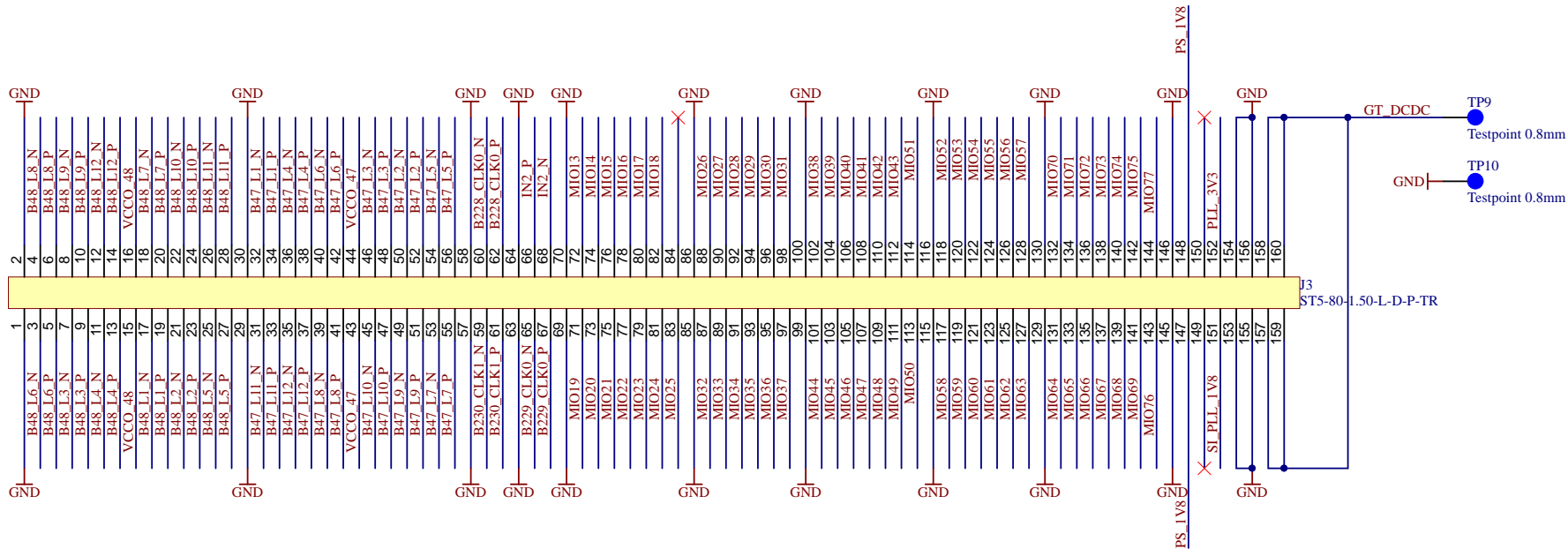
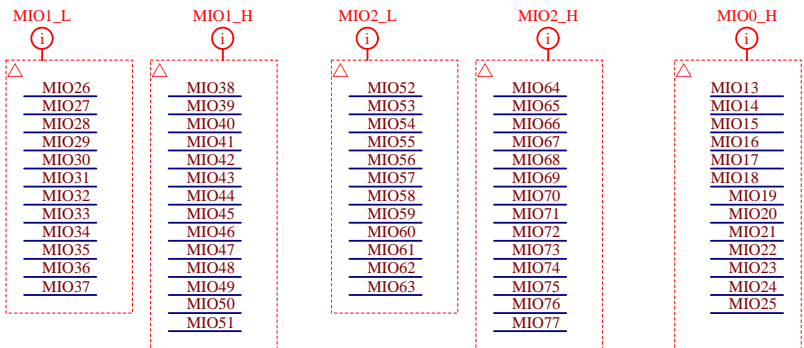
Title: TE0808 - Connector J2		
A4	Number: TE0808 15EG-1EE	Rev. 04
Date: 13.08.2017	Copyright: Trenz Electronic GmbH / TT	Page3 of 28
Filename: J2.SchDoc		

1

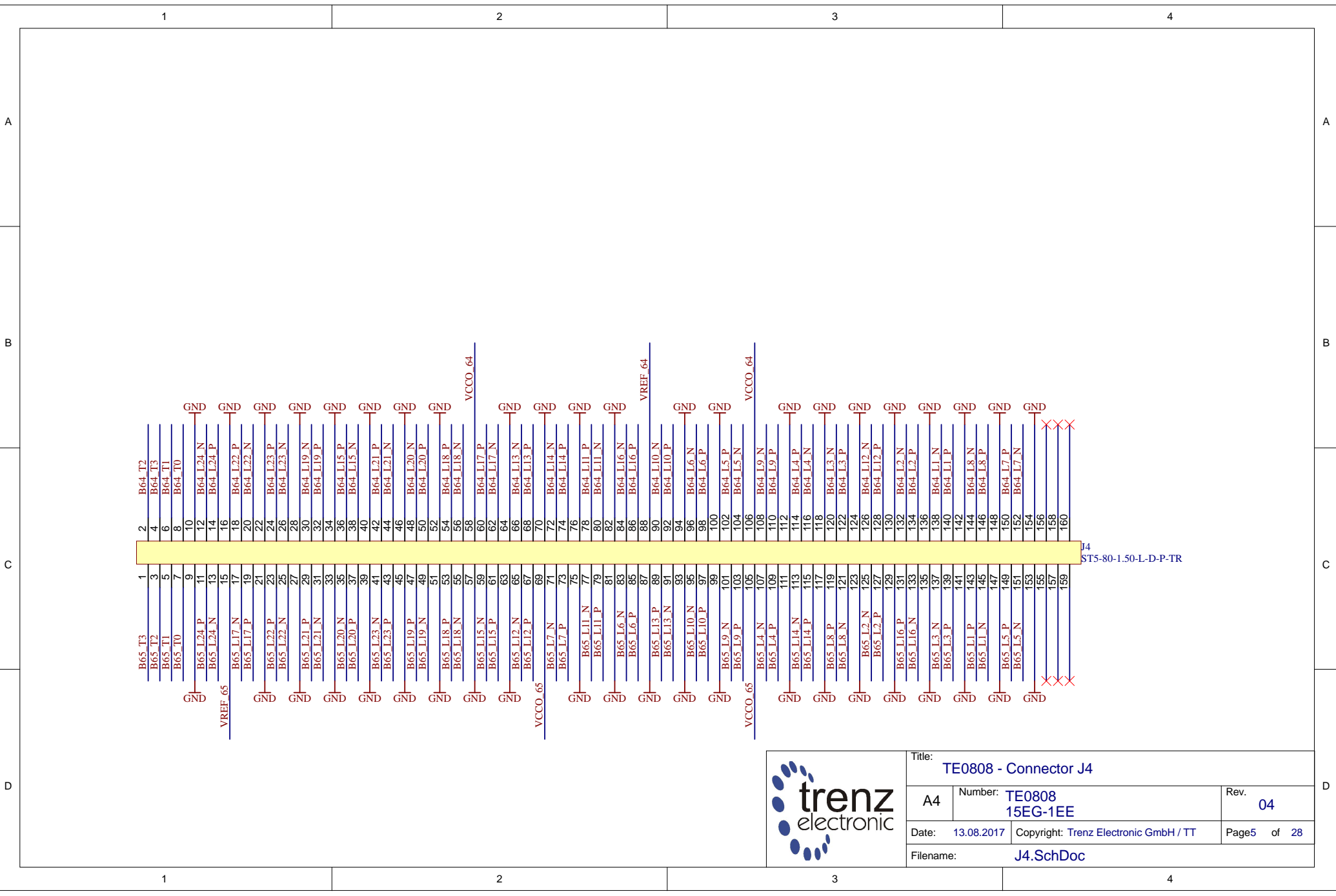
2

3

4

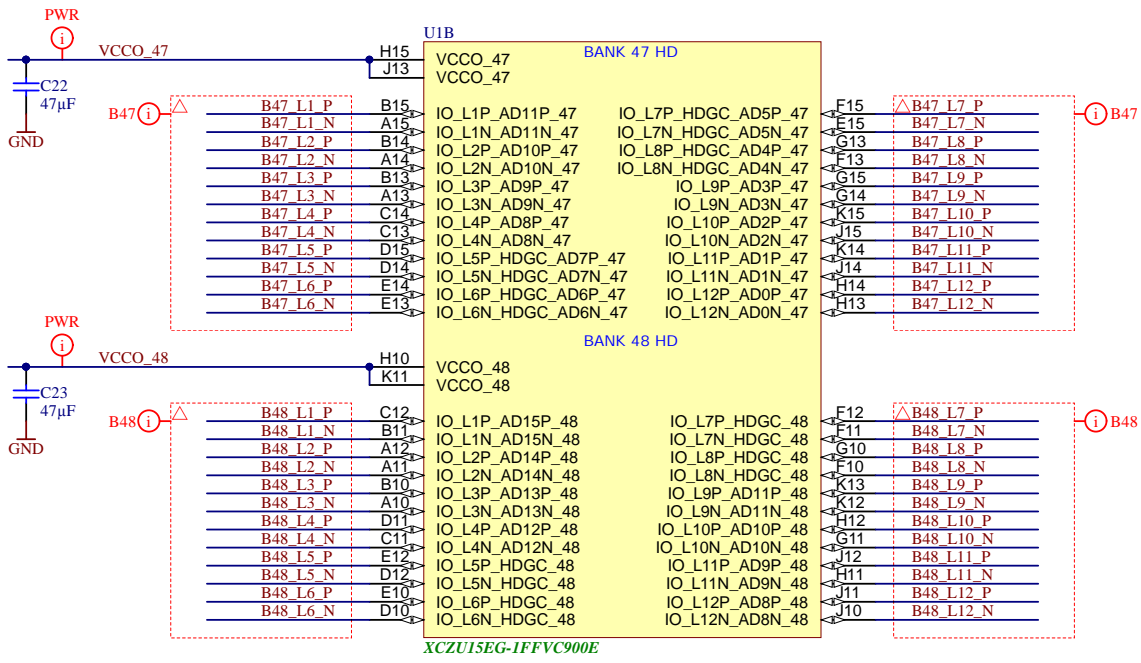


	Title: TE0808 - Connector J3	
	A4	Number: TE0808 15EG-1EE
	Date: 13.08.2017	Copyright: Trenz Electronic GmbH / TT
	Rev. 04	Page4 of 28
Filename: J3.SchDoc		

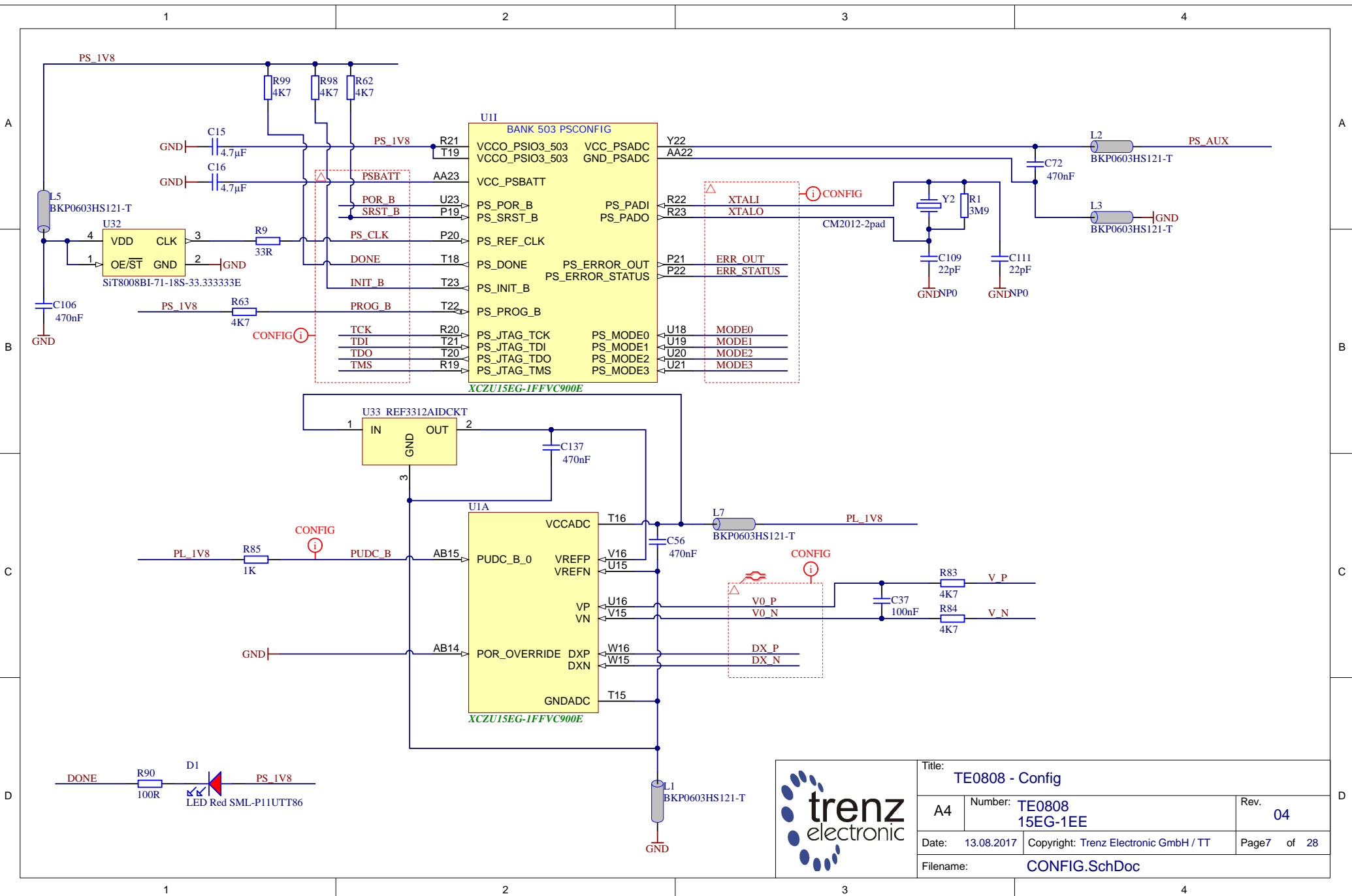



J4
ST5-80-1.50-L-D-P-TR

	Title: TE0808 - Connector J4	
	A4	Number: TE0808 15EG-1EE
	Date: 13.08.2017	Copyright: Trenz Electronic GmbH / TT
	Filename: J4.SchDoc	Rev. 04 Page5 of 28



	Title: TE0808 - B47HD and B48HD		
	A4	Number: TE0808 15EG-1EE	Rev. 04
	Date: 13.08.2017	Copyright: Trenz Electronic GmbH / TT	Page6 of 28
	Filename: B_HD.SchDoc		



			Title: TE0808 - Config	
			A4	Number: TE0808 15EG-1EE
Date: 13.08.2017		Copyright: Trenz Electronic GmbH / TT		Page 7 of 28
Filename: CONFIG.SchDoc				

1

2

3

4

A

A

B

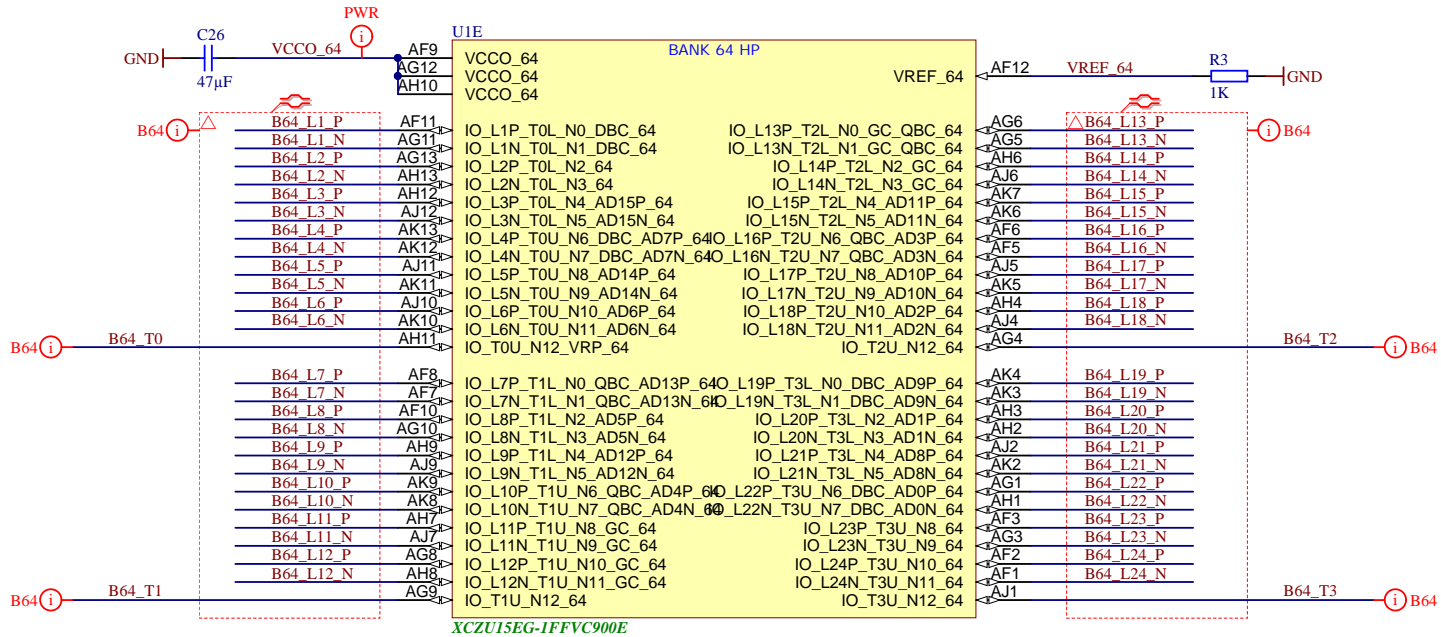
B

C

C

D

D



	Title: TE0808 - B64		
	A4	Number: TE0808 15EG-1EE	Rev. 04
	Date: 13.08.2017	Copyright: Trenz Electronic GmbH / TT	Page8 of 28
	Filename: B64.SchDoc		

1

2

3

4

1

2

3

4

A

A

B

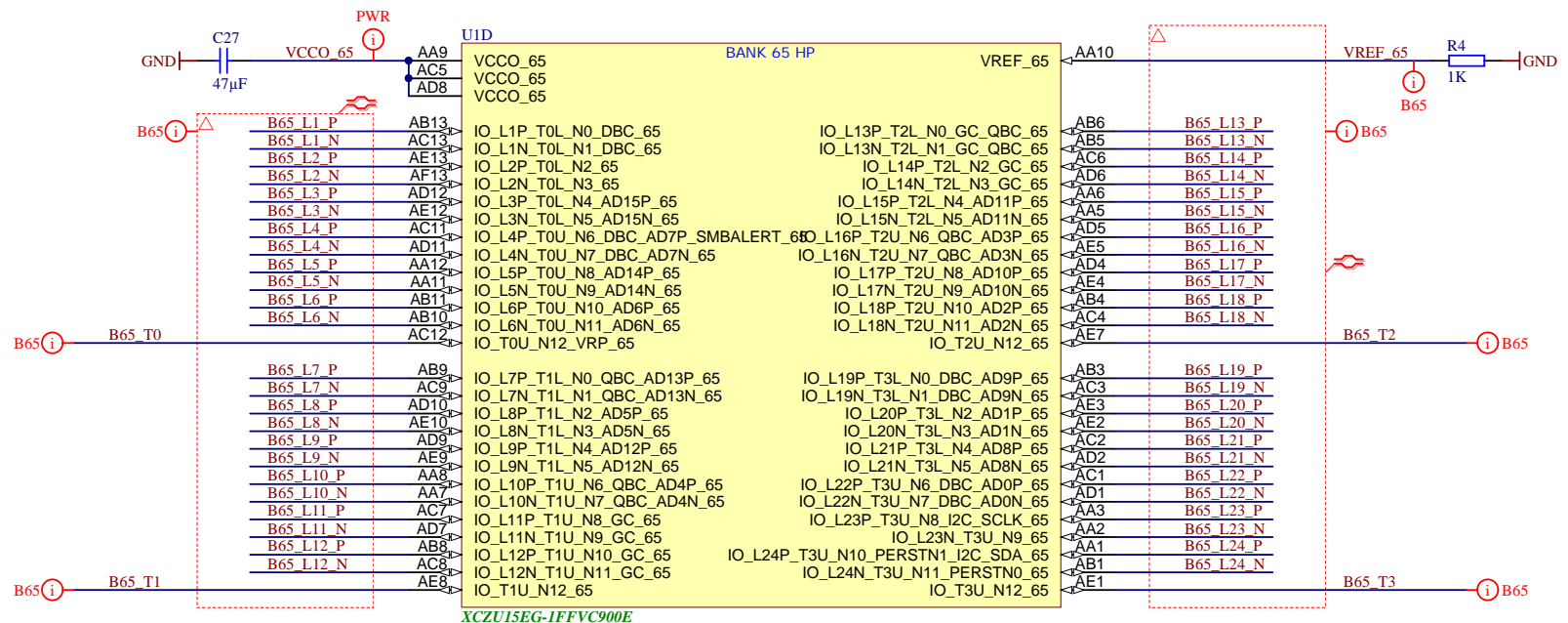
B

C

C

D

D



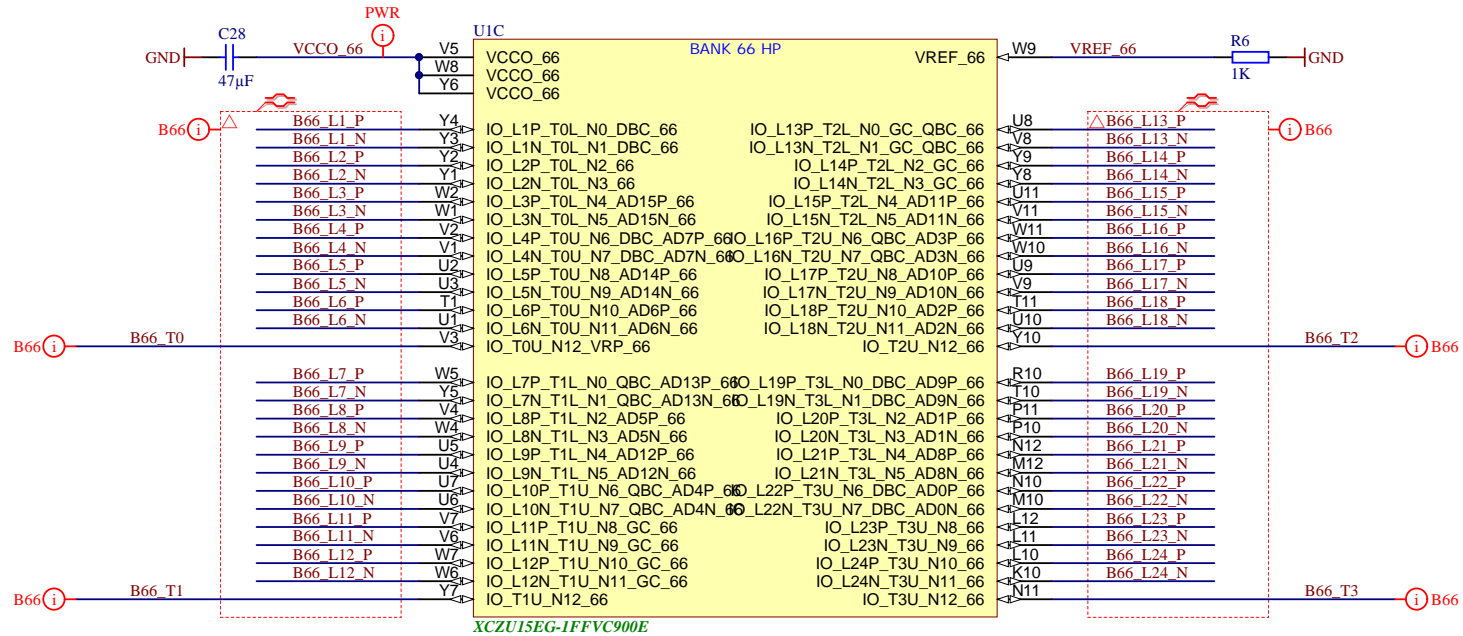
Title: TE0808 - B65		
A4	Number: TE0808 15EG-1EE	Rev. 04
Date: 13.08.2017	Copyright: Trenz Electronic GmbH / TT	Page9 of 28
Filename: B65.SchDoc		

1

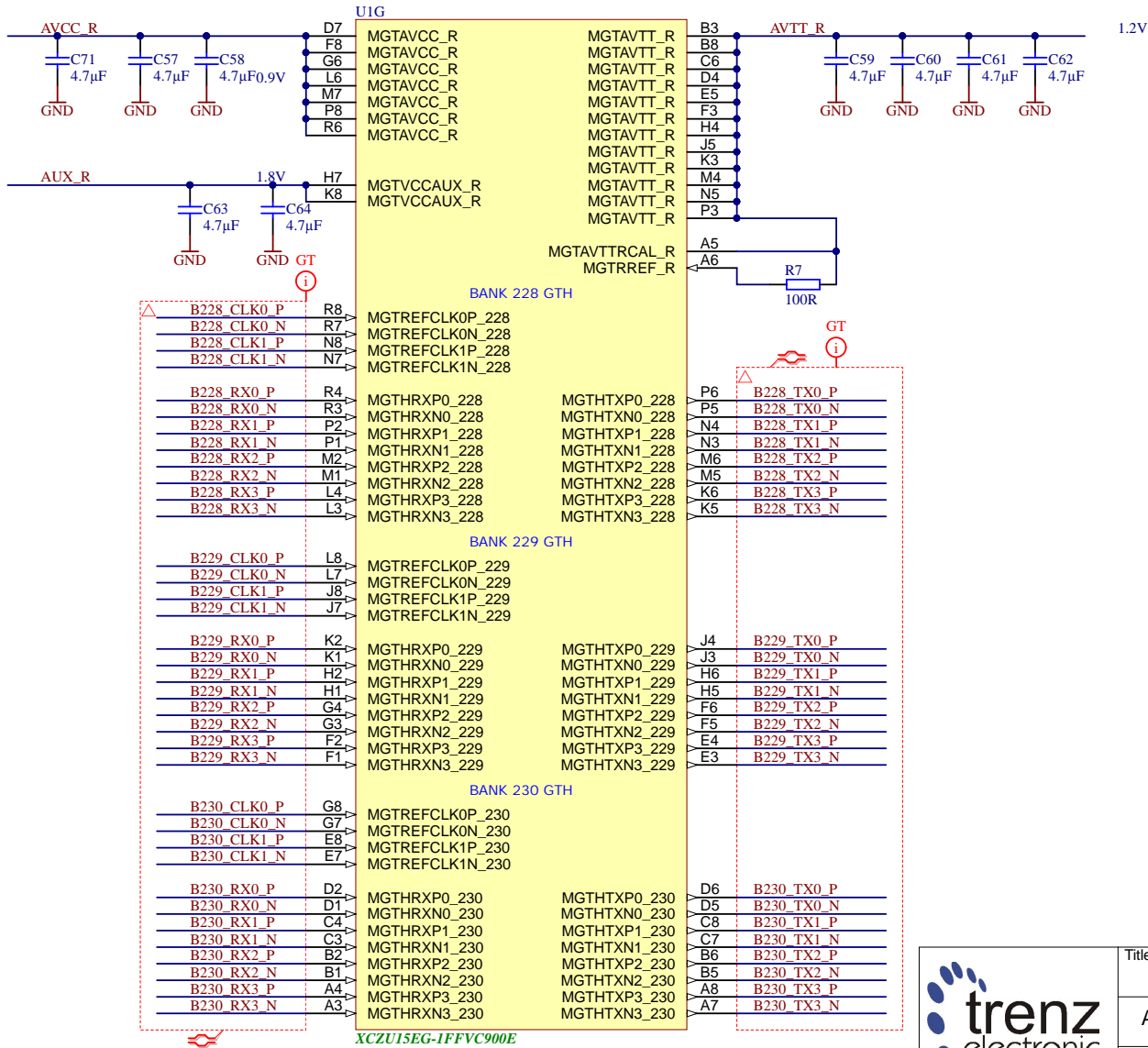
2

3

4



Title: TE0808 - B66		
A4	Number: TE0808 15EG-1EE	Rev. 04
Date: 13.08.2017	Copyright: Trenz Electronic GmbH / TT	Page 10 of 28
Filename: B66.SchDoc		



Title: TE0808 - B228GTH_B229GTH_B230GTH		
A4	Number: TE0808 15EG-1EE	Rev. 04
Date: 13.08.2017	Copyright: Trenz Electronic GmbH / TT	Page 11 of 28
Filename: B_GT.SchDoc		

1

2

3

4

A

A

B

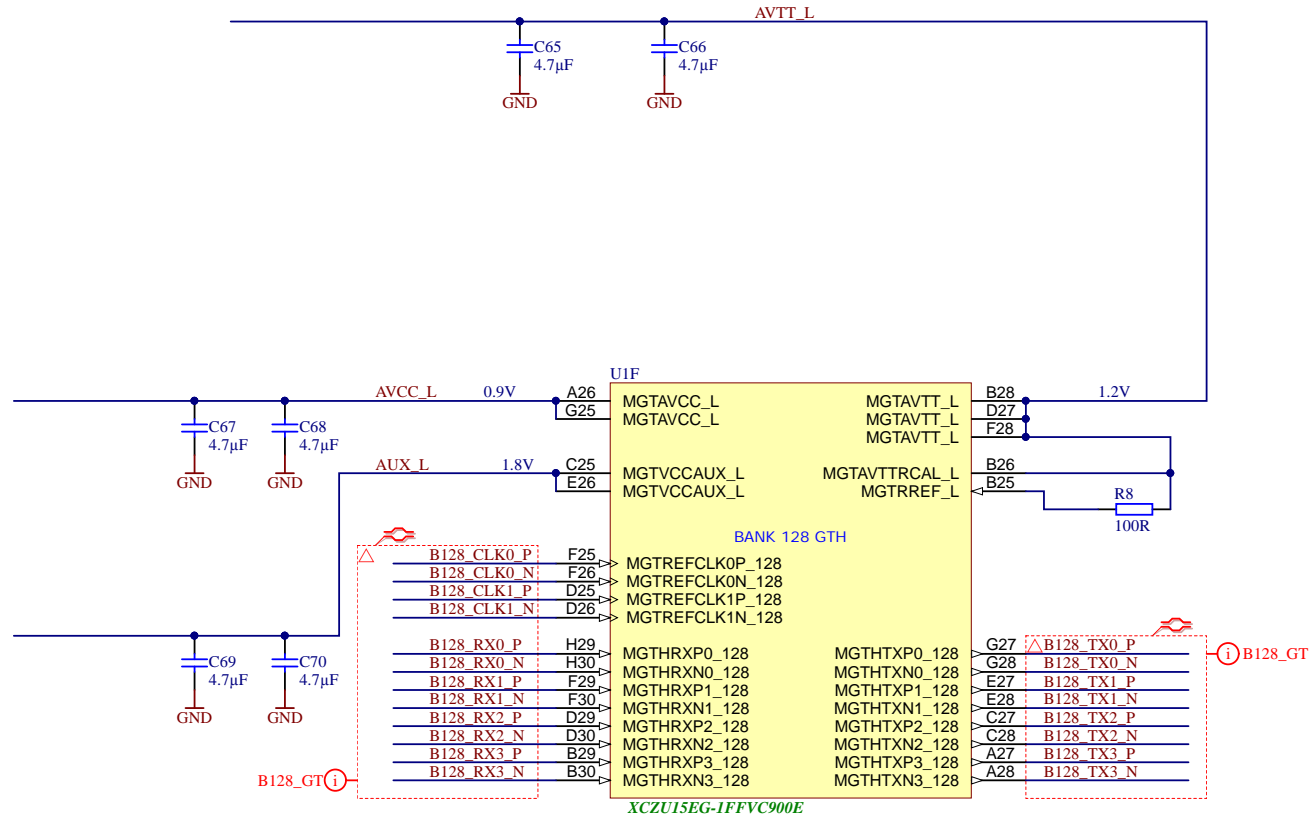
B

C

C

D

D



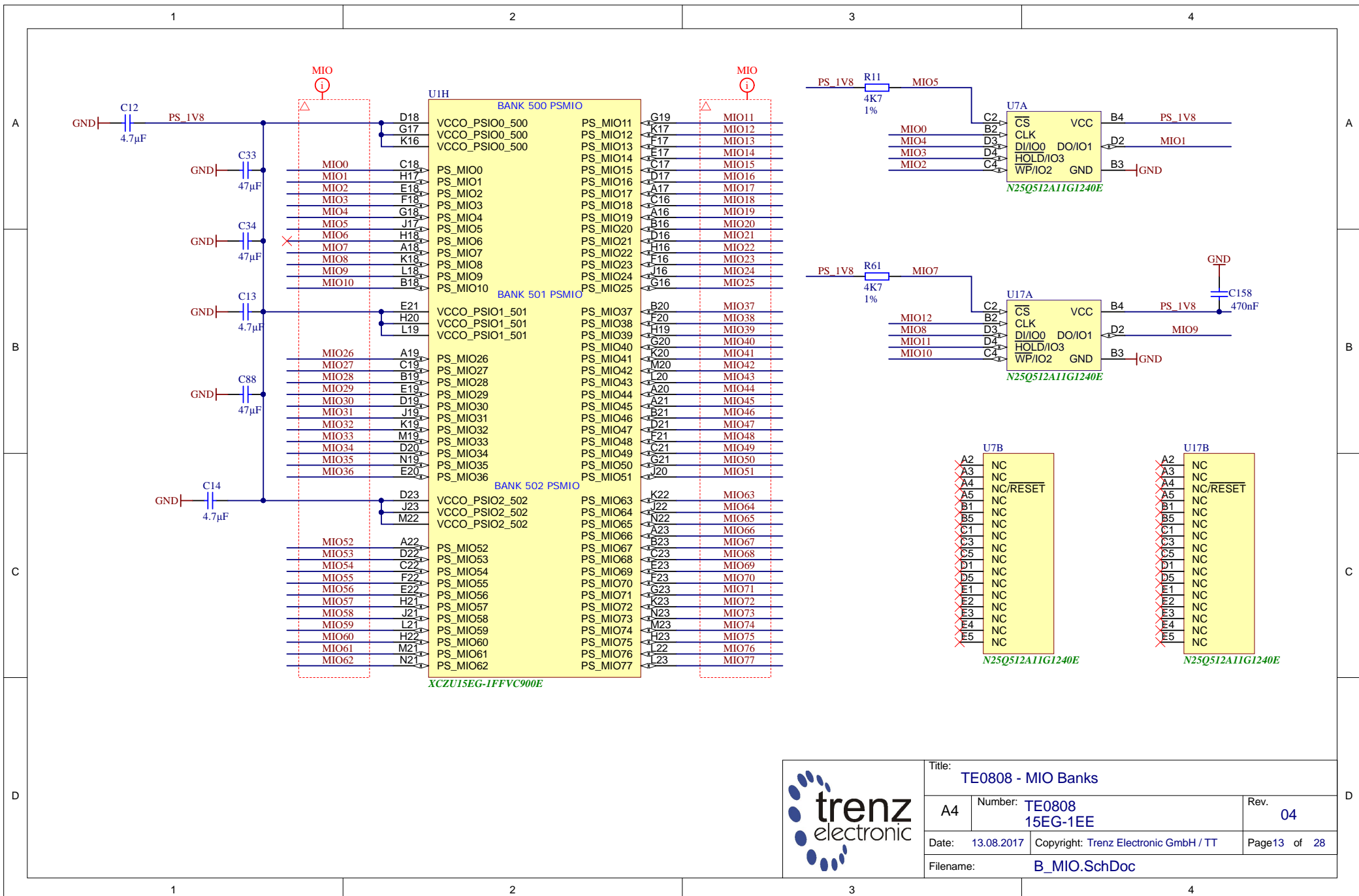
	Title: TE0808 - B128GTH		
	A4	Number: TE0808 15EG-1EE	Rev. 04
	Date: 13.08.2017	Copyright: Trenz Electronic GmbH / TT	Page 12 of 28
	Filename: B_GT_2.SchDoc		

1

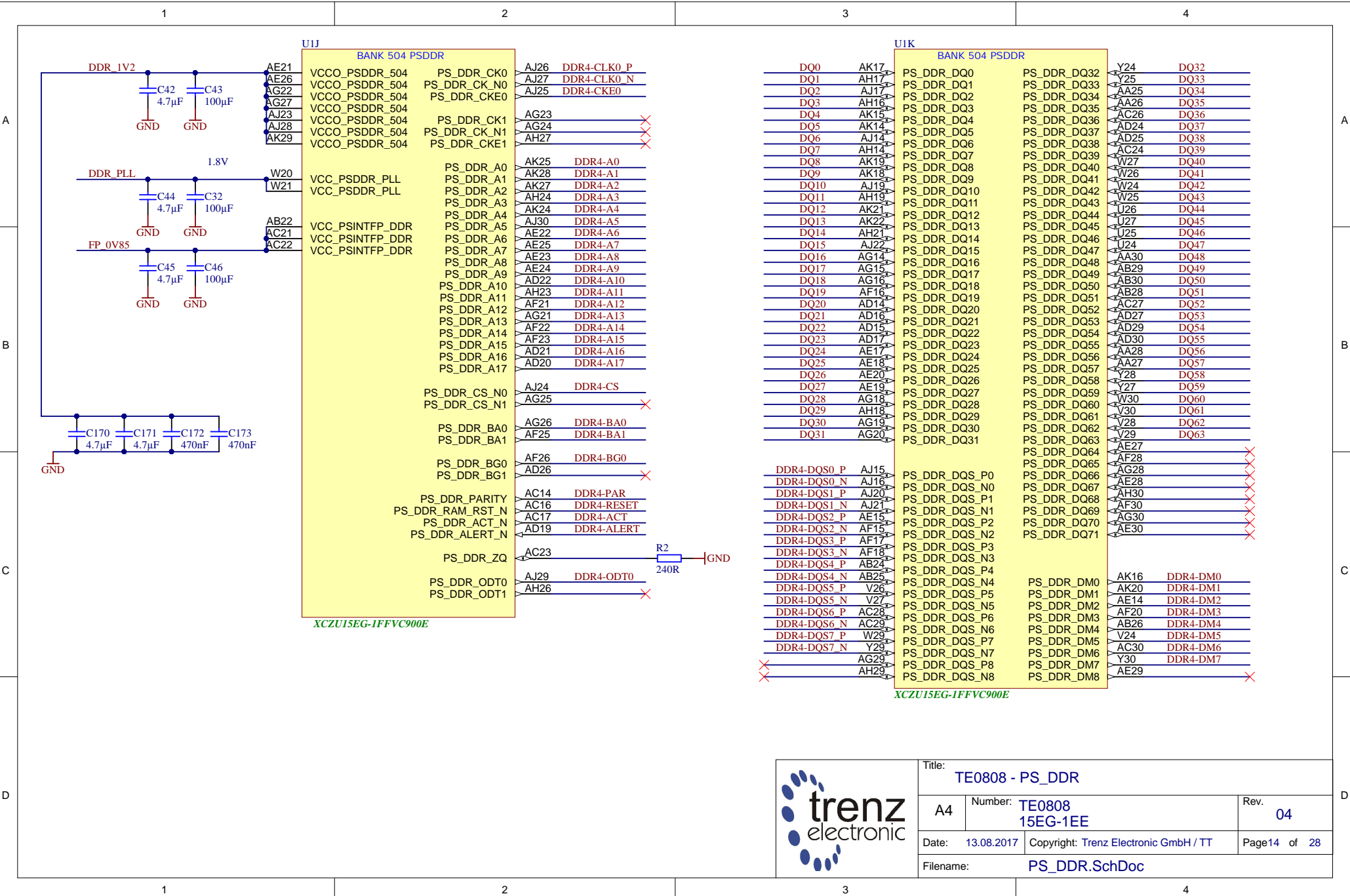
2

3

4



	Title: TE0808 - MIO Banks		
	A4	Number: TE0808 15EG-1EE	Rev. 04
	Date: 13.08.2017	Copyright: Trenz Electronic GmbH / TT	Page13 of 28
	Filename: B_MIO.SchDoc		



	Title: TE0808 - PS_DDR	
	A4	Number: TE0808 15EG-1EE
	Date: 13.08.2017	Copyright: Trenz Electronic GmbH / TT
	Filename: PS_DDR.SchDoc	Rev. 04

Page 14 of 28

1

2

3

4

A

A

B

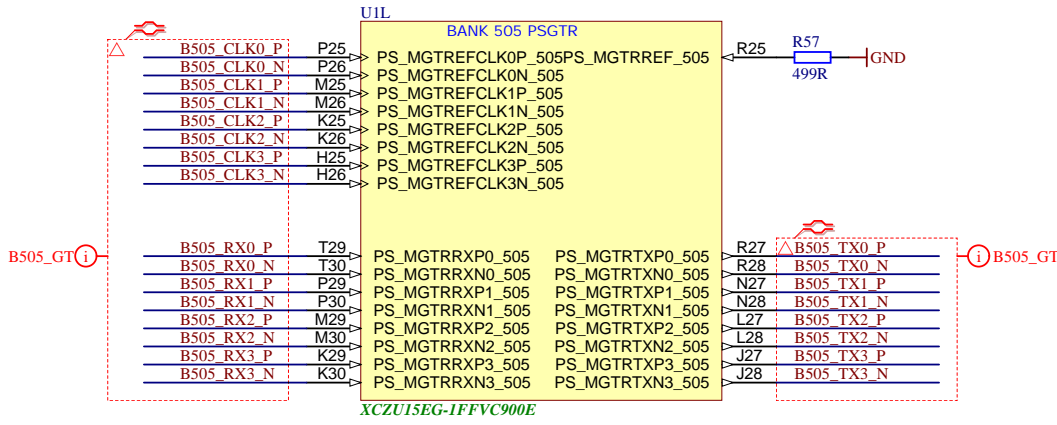
B


C

C

D

D



		Title: TE0808 - PS_GT	
		A4	Number: TE0808 15EG-1EE
Date: 13.08.2017		Copyright: Trenz Electronic GmbH / TT	
Filename: B_PS_GT.SchDoc		Page 15 of 28	

1

2

3

4

1

2

3

4

A

A

B

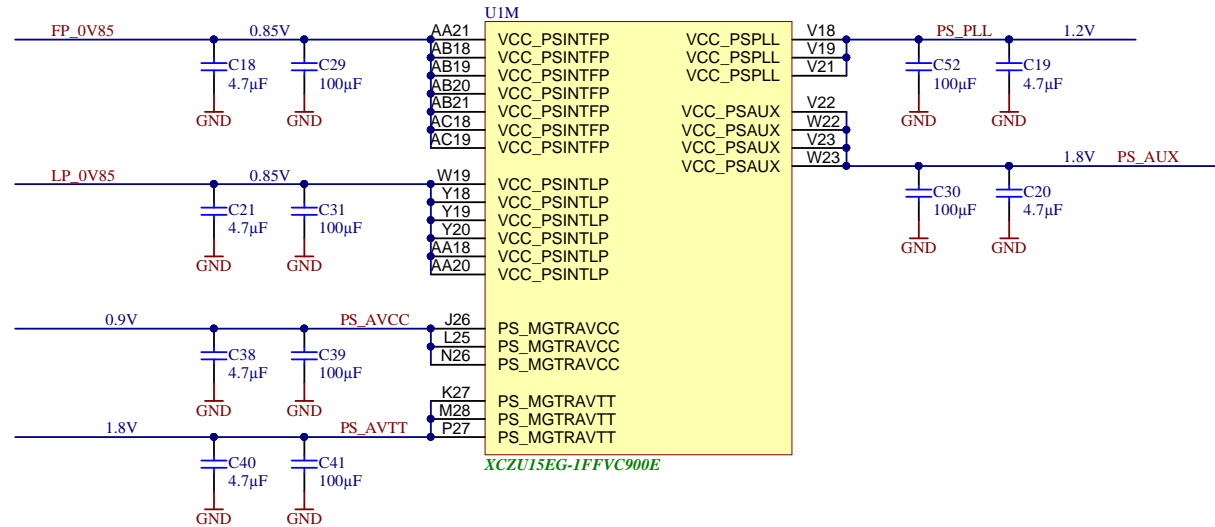
B


C

C

D

D



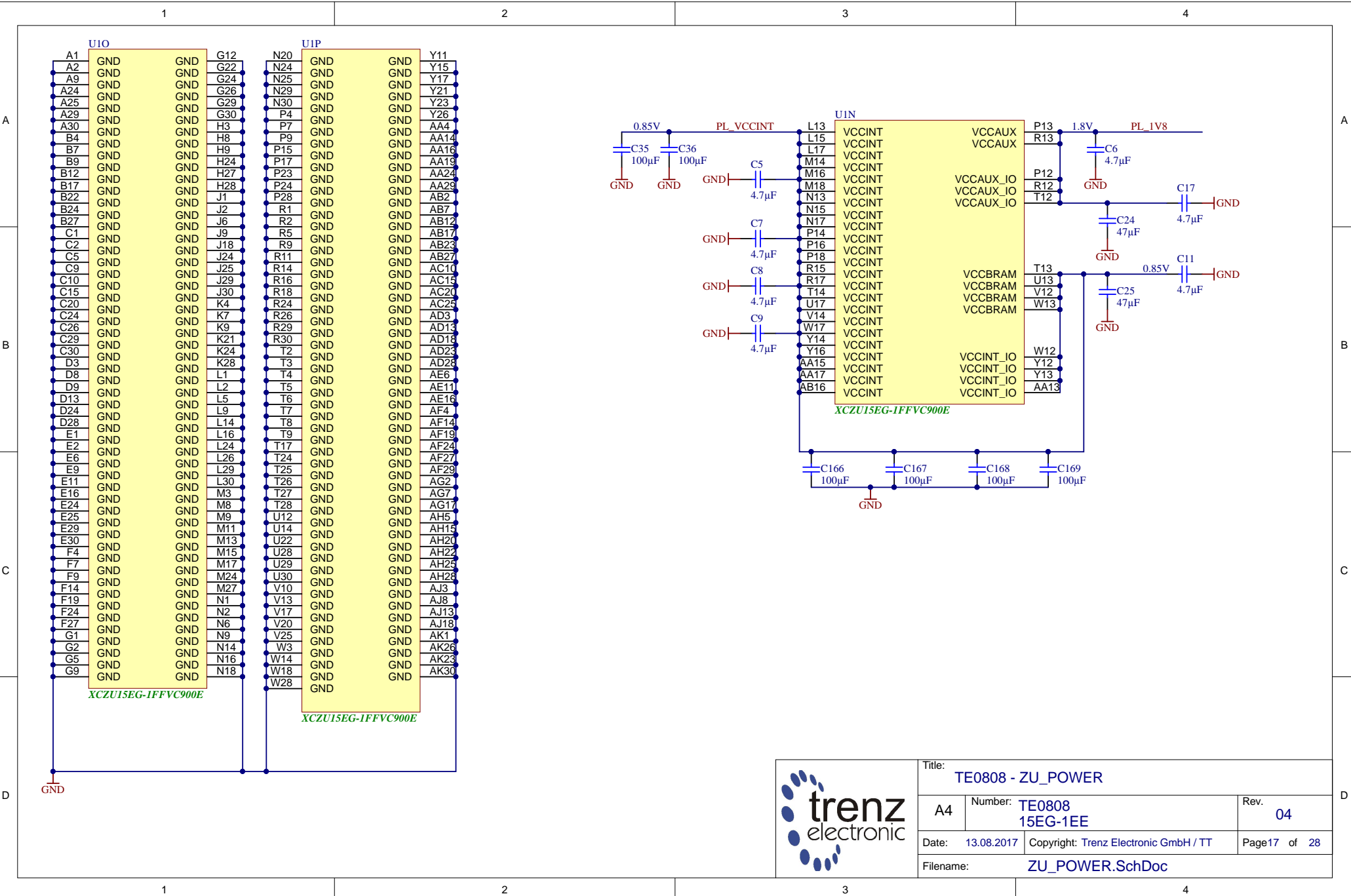
		Title: TE0808 - ZU_PS_POWER	
		A4	Number: TE0808 15EG-1EE
Date: 13.08.2017		Copyright: Trenz Electronic GmbH / TT	
Filename: ZU_PS_POWER.SchDoc		Page 16 of 28	

1

2

3

4



Title: TE0808 - ZU_POWER		
A4	Number: TE0808 15EG-1EE	Rev. 04
Date: 13.08.2017	Copyright: Trenz Electronic GmbH / TT	Page 17 of 28
Filename: ZU_POWER.SchDoc		

1

2

3

4

A

A

B

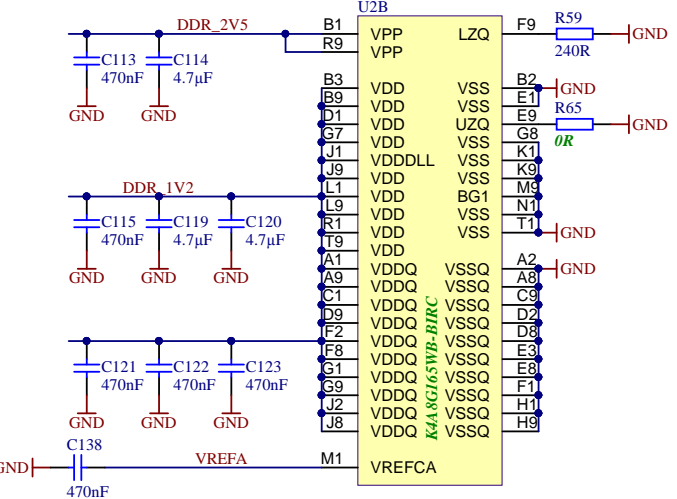
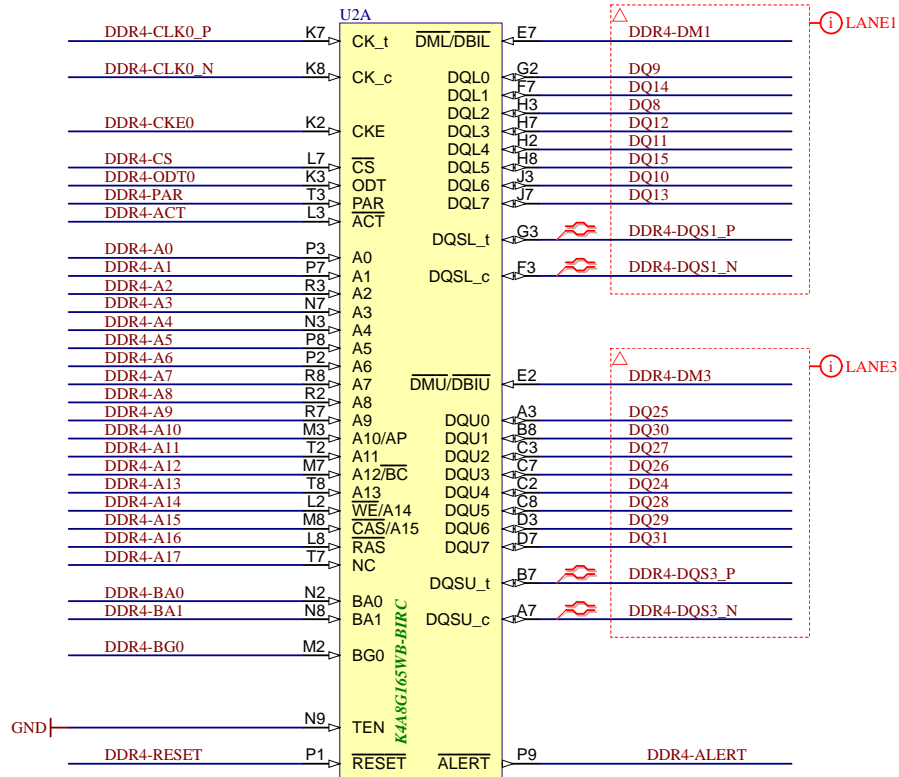
B

C

C

D

D



Title: TE0808 - DDR4_1_RAM		
A4	Number: TE0808 15EG-1EE	Rev. 04
Date: 13.08.2017	Copyright: Trenz Electronic GmbH / TT	Page18 of 28
Filename: DDR4-RAM.SchDoc		

1

2

3

4

1

2

3

4

A

A

B

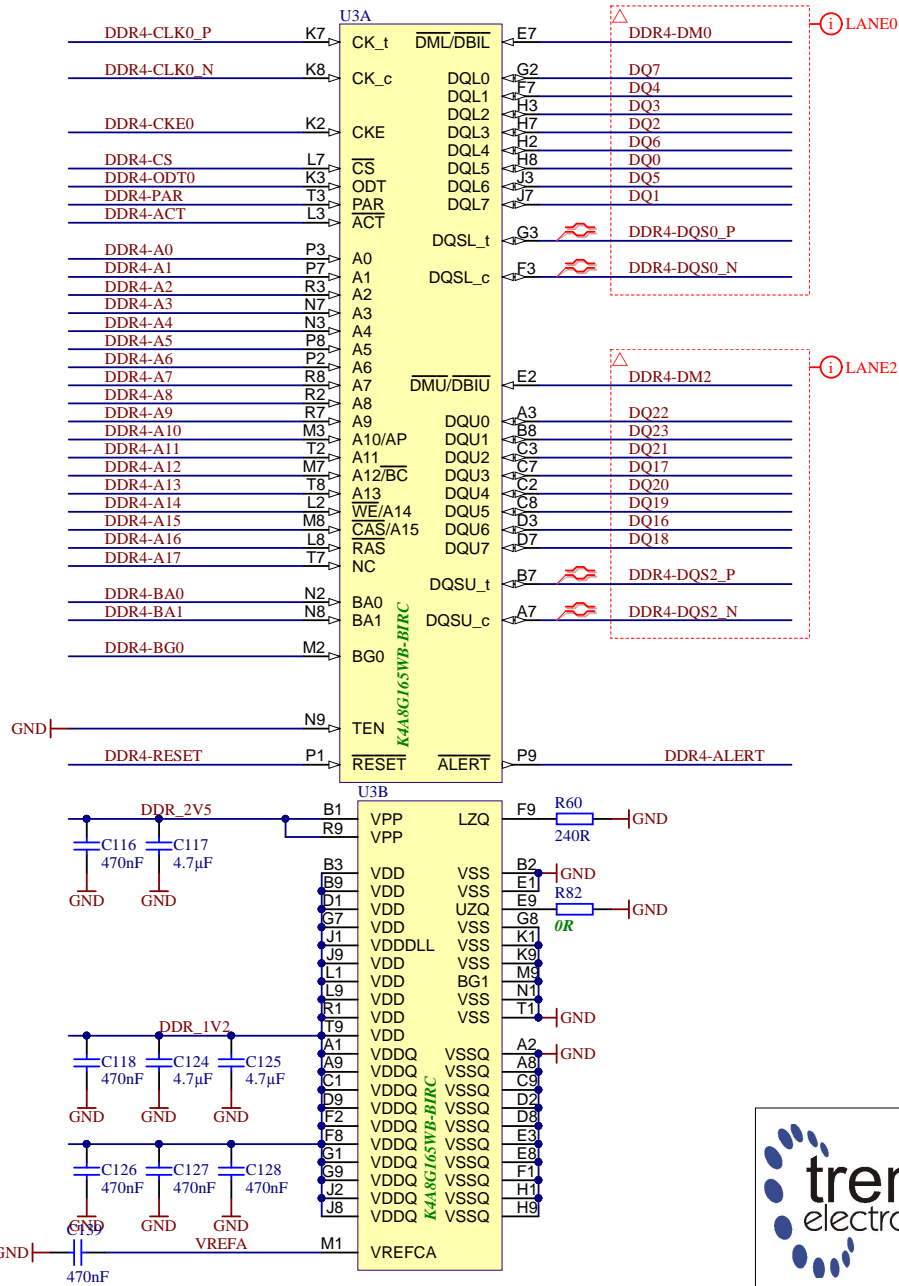

B

C

C

D

D

Title: TE0808 - DDR4_2_RAM		
A4	Number: TE0808 15EG-1EE	Rev. 04
Date: 13.08.2017	Copyright: Trenz Electronic GmbH / TT	Page 19 of 28
Filename: DDR4-RAM_2.SchDoc		

1

2

3

4

1

2

3

4

A

A

B

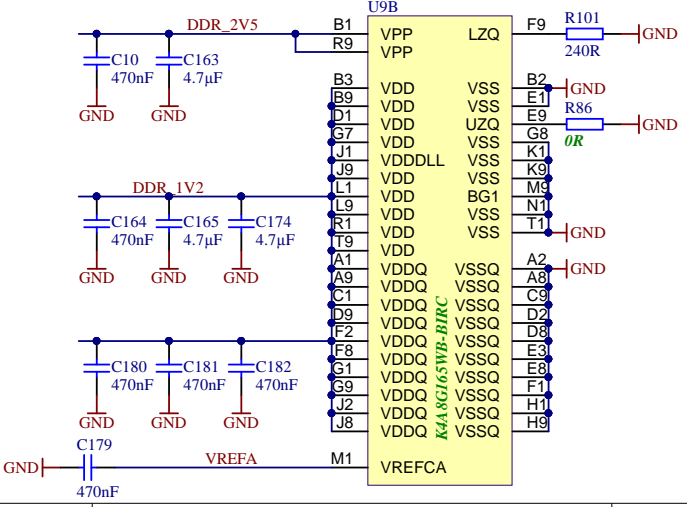
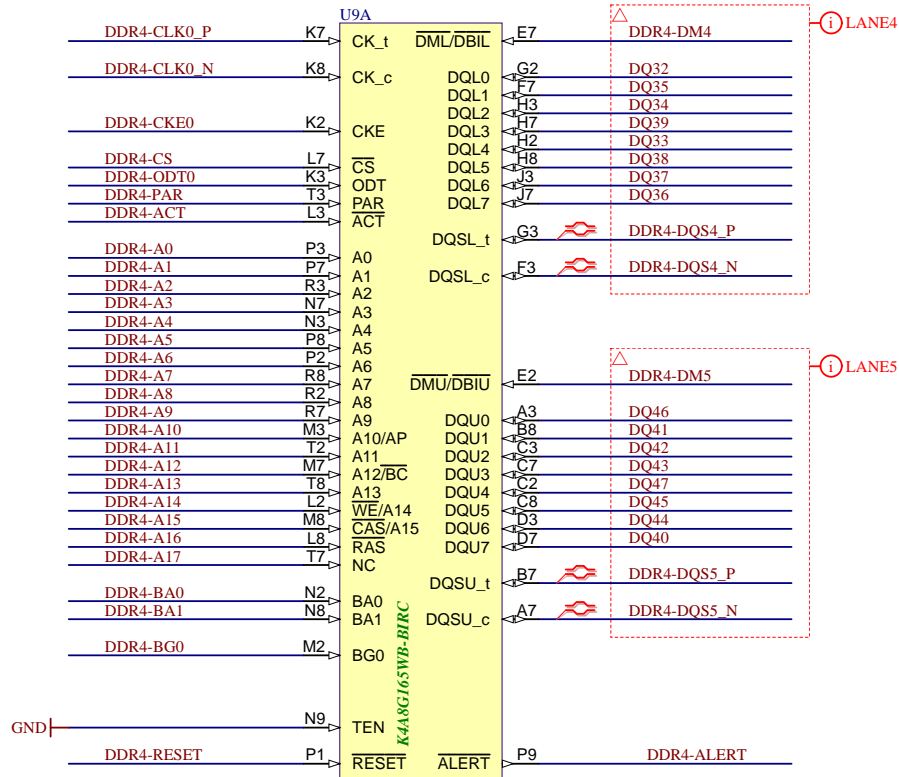
B

C

C

D

D



Title: TE0808 - DDR4_3_RAM			
A4	Number: TE0808 15EG-1EE	Rev. 04	
Date: 13.08.2017	Copyright: Trenz Electronic GmbH / TT	Page20 of 28	
Filename: DDR4-RAM_3.SchDoc			

1

2

3

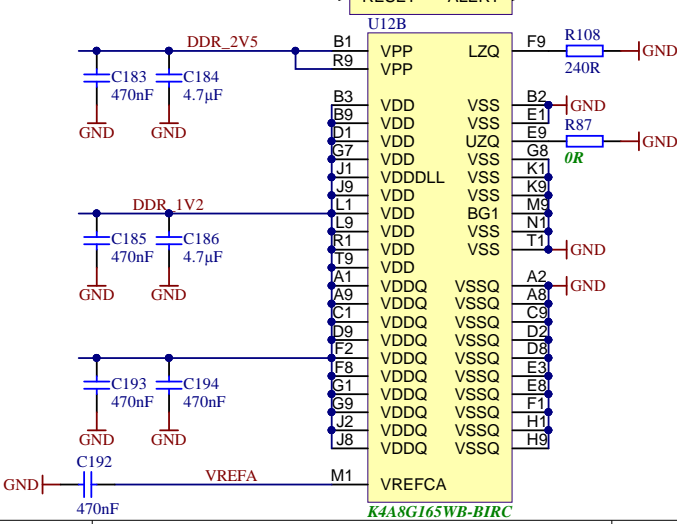
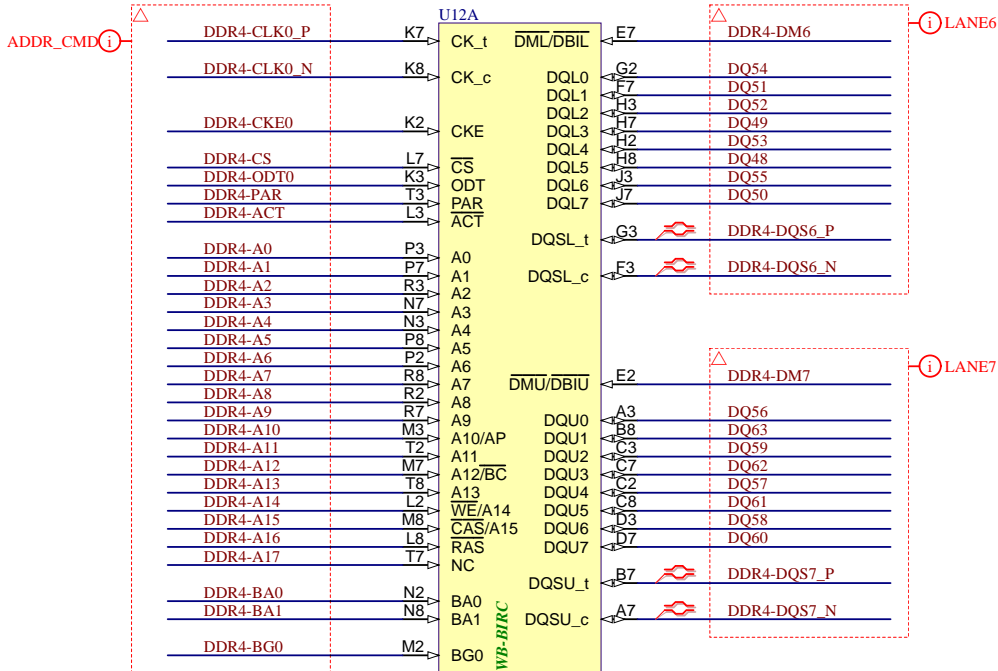
4

1

2

3

4



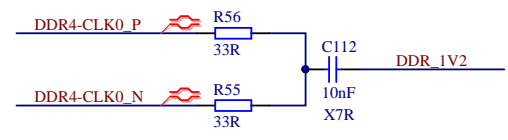
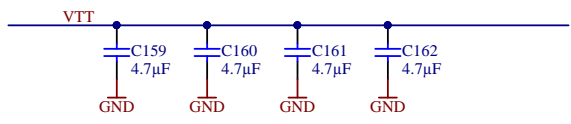
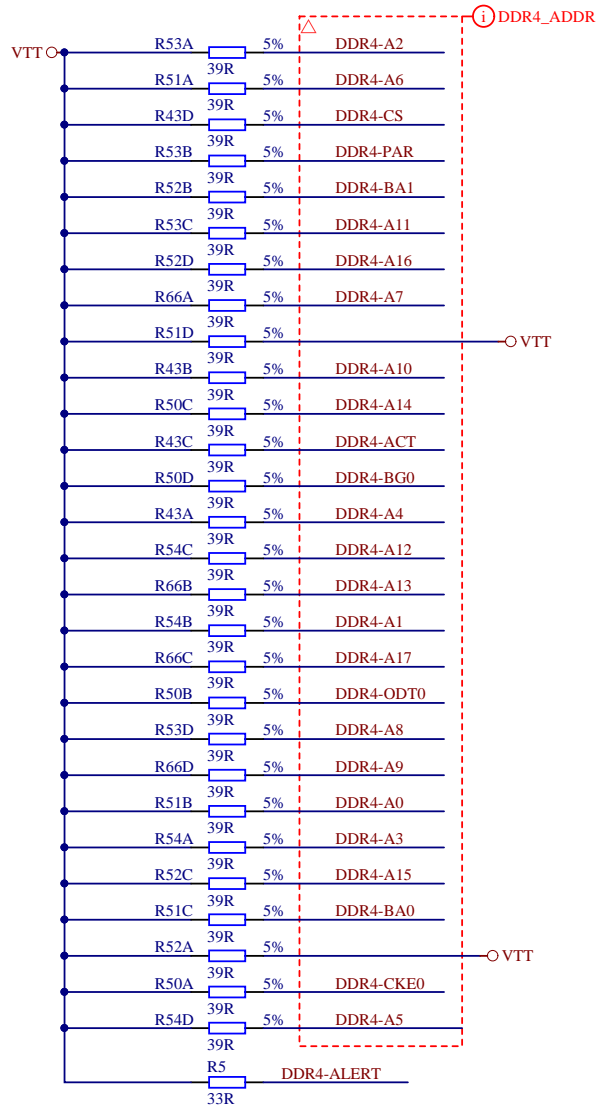
Title: TE0808 - DDR4_4_RAM		
A4	Number: TE0808 15EG-1EE	Rev. 04
Date: 13.08.2017	Copyright: Trenz Electronic GmbH / TT	Page21 of 28
Filename: DDR4-RAM_4.SchDoc		

1

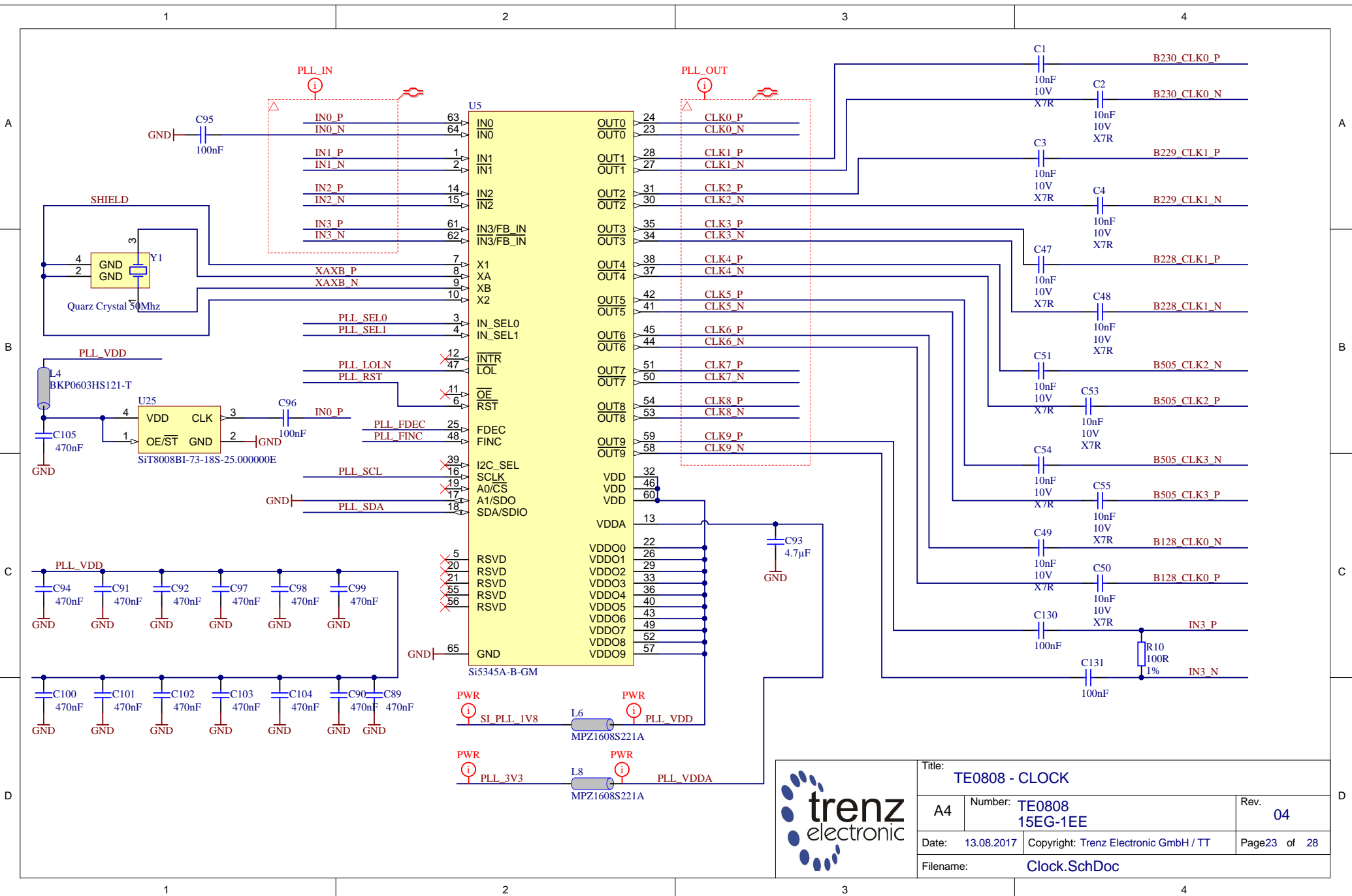
2

3

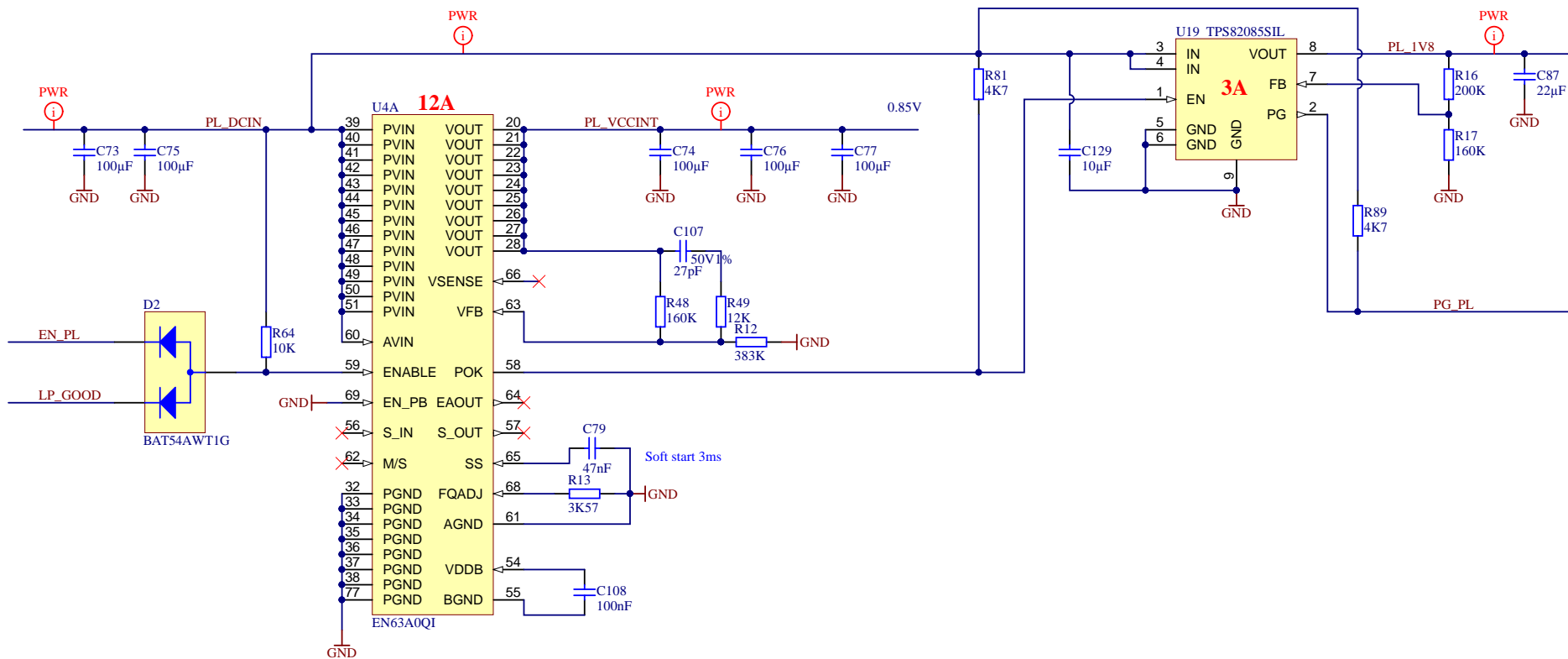
4



Title: TE0808 - DDR4_TERM		
A4	Number: TE0808 15EG-1EE	Rev. 04
Date: 13.08.2017	Copyright: Trenz Electronic GmbH / TT	Page22 of 28
Filename: DDR4-TERM.SchDoc		



Title: TE0808 - CLOCK			
A4	Number: TE0808 15EG-1EE	Rev. 04	
Date: 13.08.2017	Copyright: Trenz Electronic GmbH / TT		Page23 of 28
Filename: Clock.SchDoc			



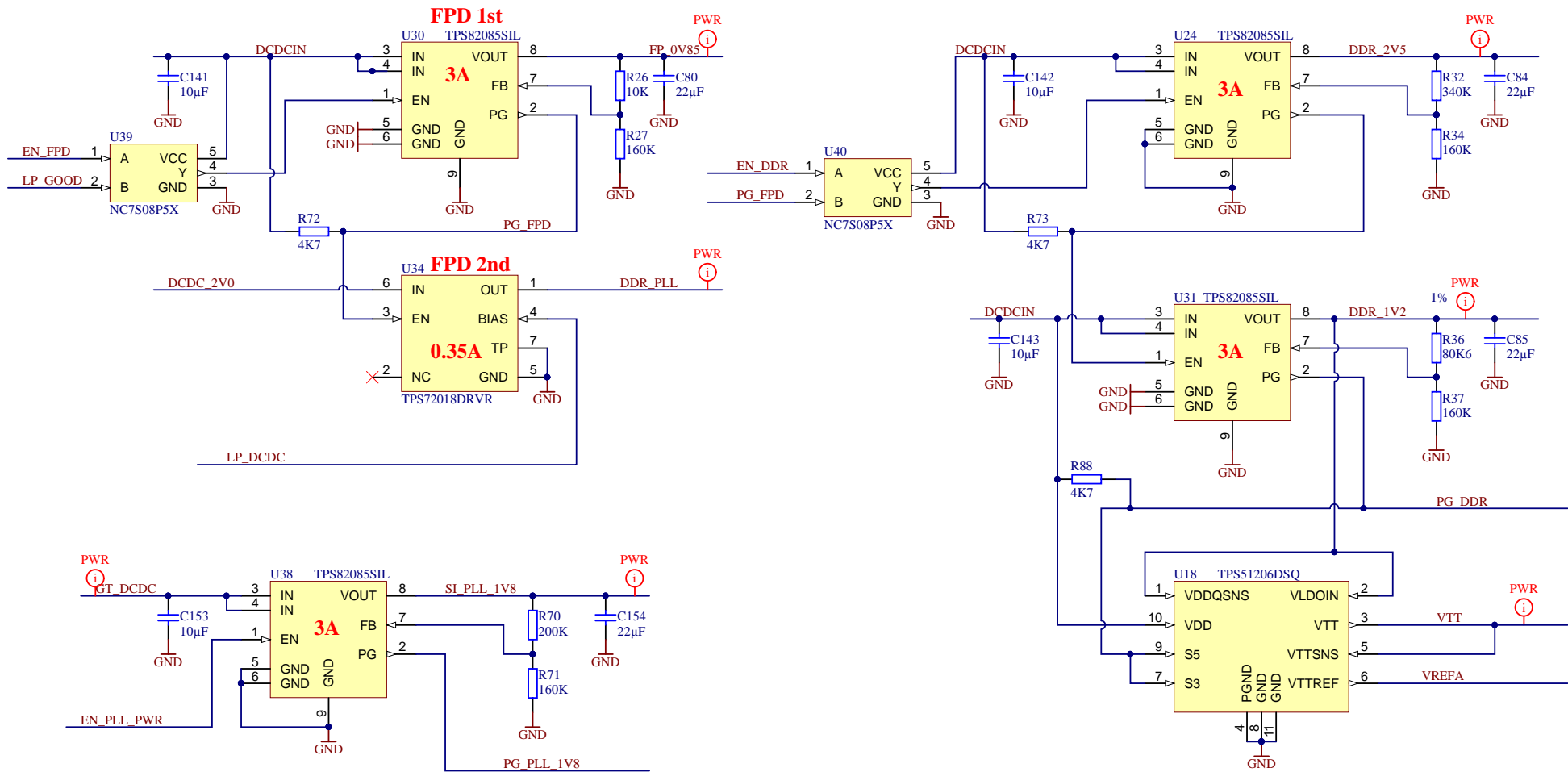
U4B

1	NC	NC	17
2	NC	NC	18
3	NC	NC	19
4	NC	NC	29
5	NC	NC	30
6	NC	NC(SW)	31
7	NC	NC(SW)	52
8	NC	NC	53
9	NC	NC	67
10	NC	NC(SW)	70
11	NC	NC(SW)	71
12	NC	NC(SW)	72
13	NC	NC	73
14	NC	NC	74
15	NC	NC	75
16	NC	NC	76

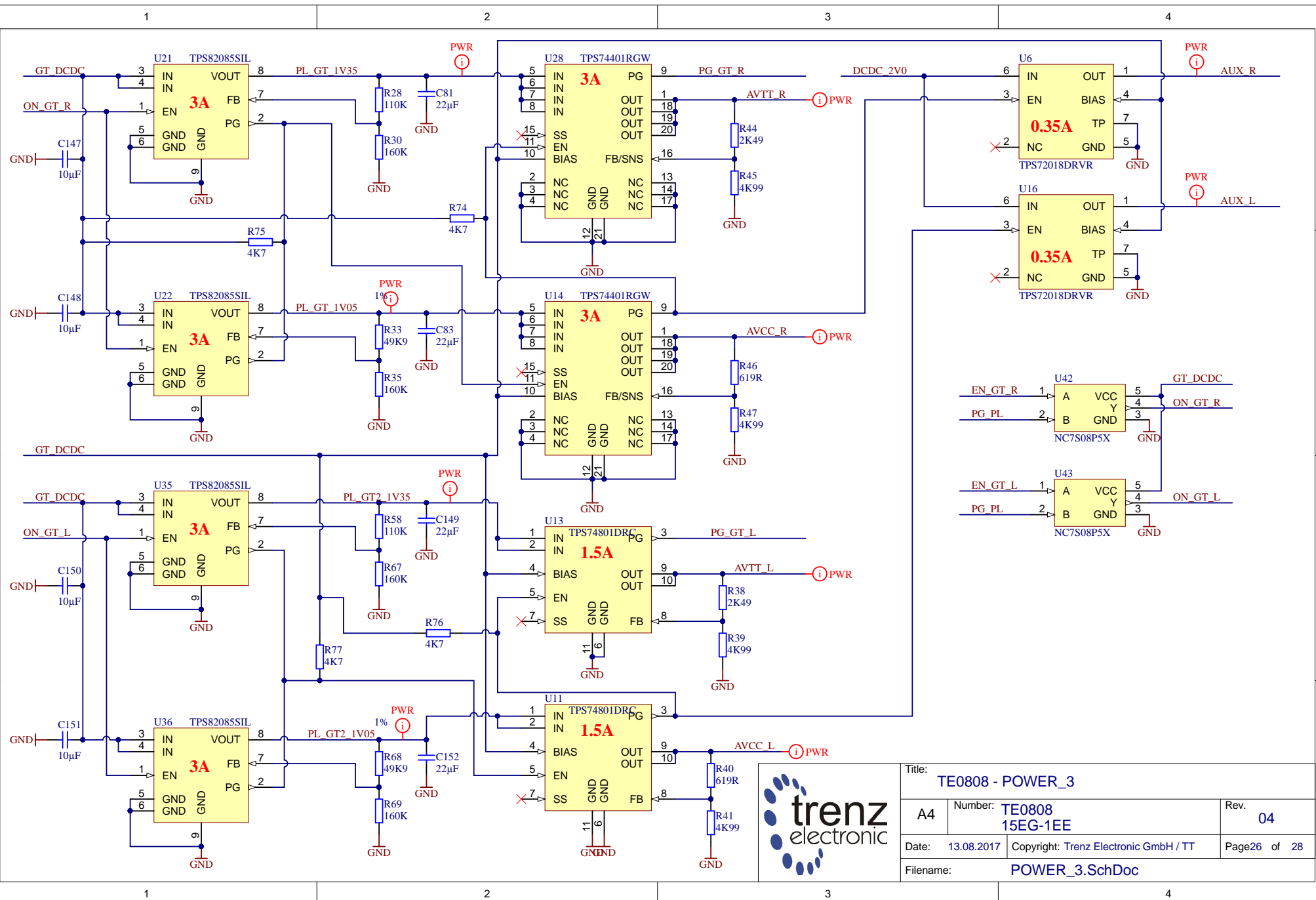
EN63A0QI



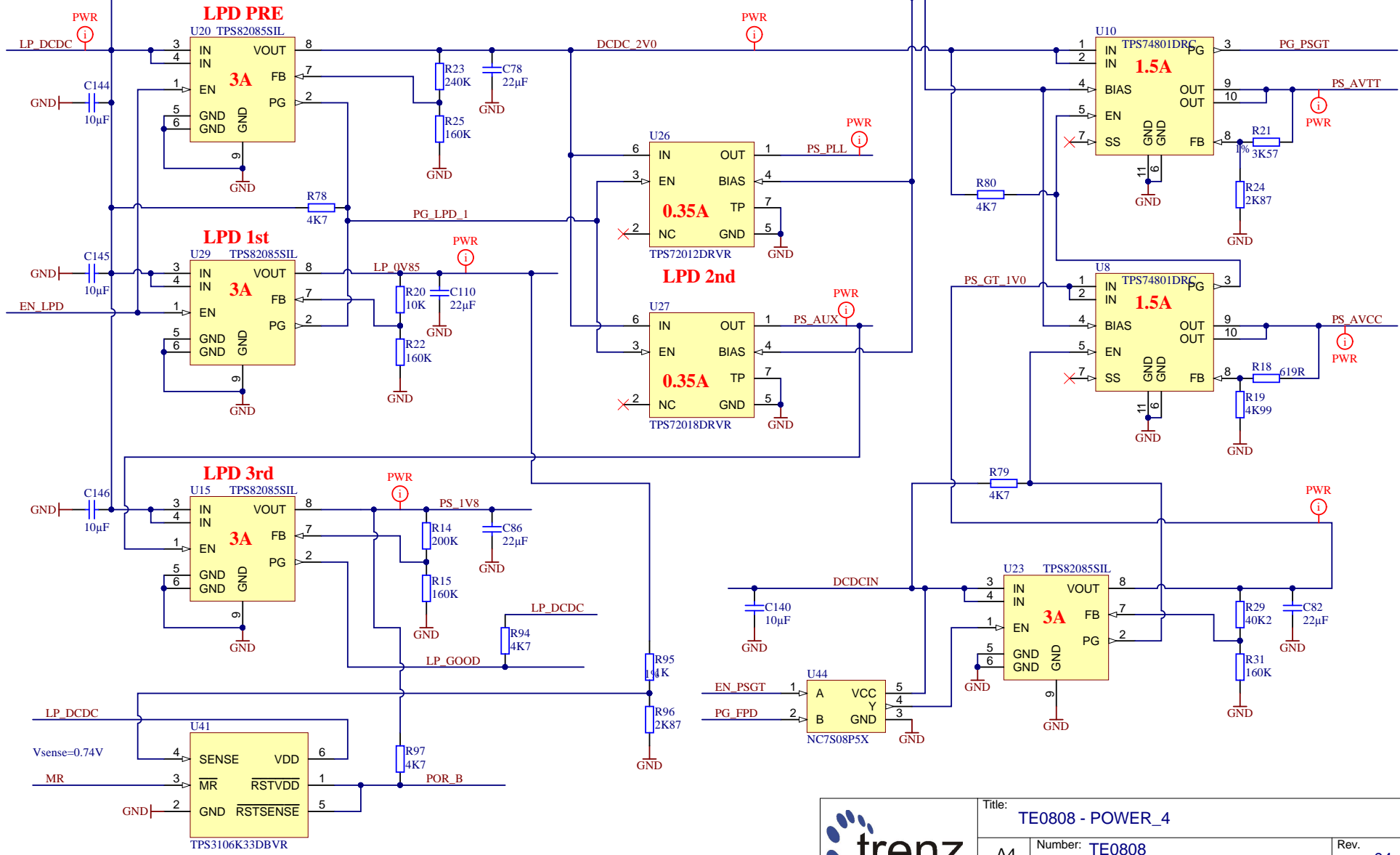
Title: TE0808 - POWER		
A4	Number: TE0808 15EG-1EE	Rev. 04
Date: 13.08.2017	Copyright: Trenz Electronic GmbH / TT	Page24 of 28
Filename: POWER.SchDoc		




Title: TE0808 - POWER_2		
A4	Number: TE0808 15EG-1EE	Rev. 04
Date: 13.08.2017	Copyright: Trenz Electronic GmbH / TT	Page25 of 28
Filename: POWER_2.SchDoc		



Title: TE0808 - POWER_3		
A4	Number: TE0808 15EG-1EE	Rev. 04
Date: 13.08.2017	Copyright: Trenz Electronic GmbH / TT	Page26 of 28
Filename: POWER_3.SchDoc		



			Title: TE0808 - POWER_4	
			A4	Number: TE0808 15EG-1EE
Date: 13.08.2017		Copyright: Trenz Electronic GmbH / TT		Page27 of 28
Filename: POWER_4.SchDoc				

1

2

3

4

CHANGES REV03 to REV04

- 1) added resistors R65,R82,R86,R87 (240R) for each DDR4-chip for supporting DDP DDR4 chips
- 2) full update lib

A

A

B

B

C

C

D

D

1

2

3

4



Title: TE0808 - Changes list		
A4	Number: TE0808 15EG-1EE	Rev. 04
Date: 13.08.2017	Copyright: Trenz Electronic GmbH	Page28 of 28
Filename: Revision_Changes.SchDoc		