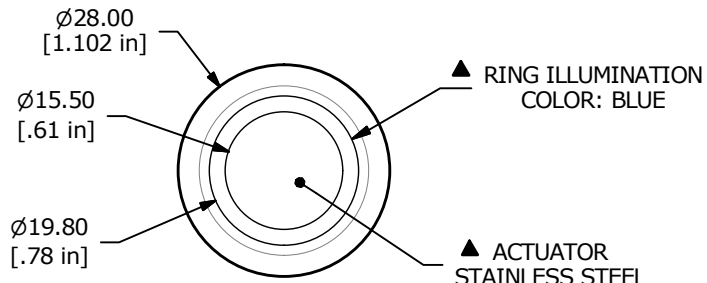
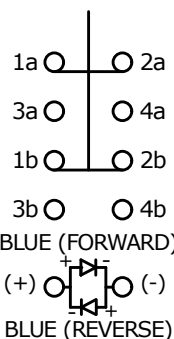


RECOMMENDED PANEL CUTOUT
MAX. PANEL THICKNESS 10mm

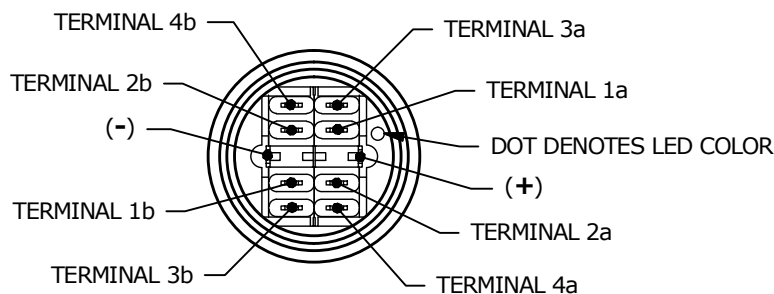
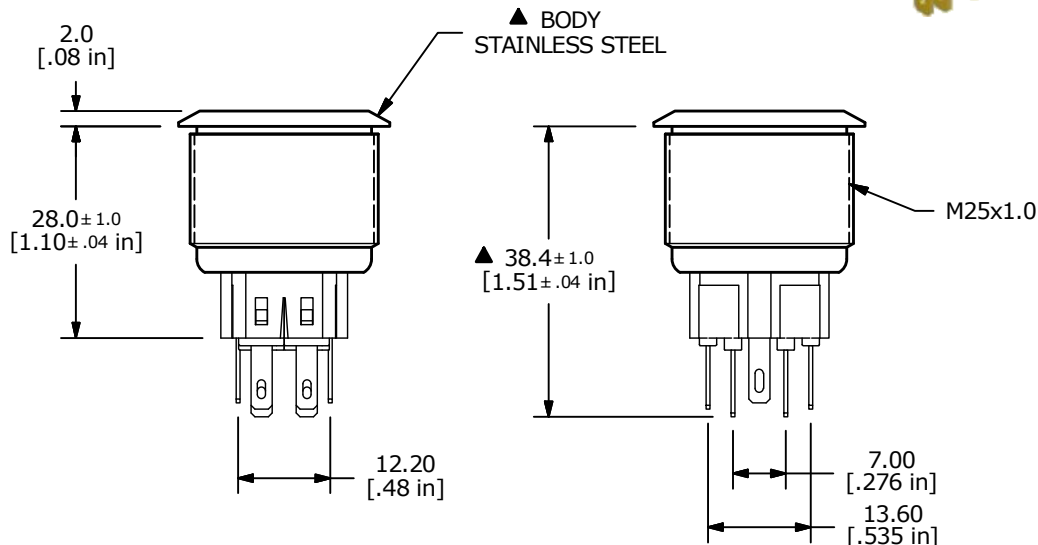


SWITCH FUNCTION	
POS. 1	POS. 2
1a-2a 1b-2b	(3a-4a) (3b-4b)

() = MOMENTARY



▲ DPDT ON (OFF) / OFF (ON)
CONTACT CONFIGURATION



- NOTE:
- ALL DIMENSIONS IN MM [INCH]
 - GENERAL TOLERANCE: X.X = ± 0.4
X.XX = ± 0.25
 - TERMINAL NUMBERS FOR REF. ONLY
 - RATING: 2A @ 48VDC
 - ILLUMINATION VOLTAGE: 2.8V FORWARD, 2.8V REVERSE
 - CONTACT RESISTANCE: 50mΩ MAX. @ 1A 12VDC
 - INSULATION RESISTANCE: 1,000MΩ @ 500VDC
 - DIELECTRIC STRENGTH: 2,000VAC MIN. FOR 1 MINUTE
 - ELECTRICAL LIFE: 50,000 CYCLES
 - OPERATING TEMPERATURE: -20°C to 55°C
 - INGRESS PROTECTION: IP65
 - SUPPLIED HARDWARE: O-RING AND HEXNUT
 - ▲ DENOTES CRITICAL PARAMETER
 - 2011/65/EU (ROHS) COMPLIANT



B	22998	Drawing Update	9/15/17	MW
A	00051	Initial Release	9/8/05	CAB
REV	PCR NO	DESCRIPTION	DATE	BY

TITLE PV8F2V0SS-341				
SCALE 1:1	DATE 9/8/2005	DR MW	DWG 52-PV8F2V0SS341	REV B

THE INFORMATION CONTAINED IN THIS DOCUMENT IS PROPRIETARY TO E-SWITCH AND IS NOT TO BE COPIED OR TRANSFERRED