

Customer Information Sheet

DRAWING No.: M80-FDXXX68L0-XXXXL

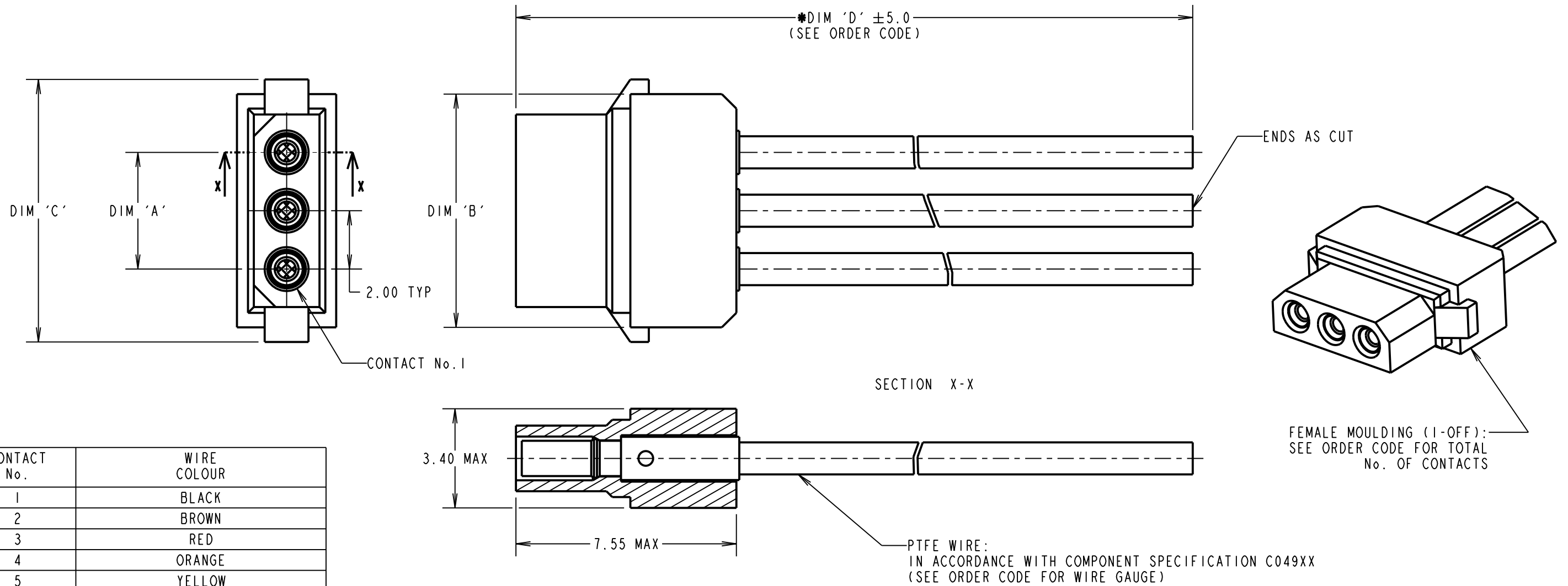
IF IN DOUBT - ASK

©

NOT TO SCALE

THIRD ANGLE PROJECTION

ALL DIMENSIONS IN mm



CONTACT No.	WIRE COLOUR
1	BLACK
2	BROWN
3	RED
4	ORANGE
5	YELLOW
6	GREEN
7	BLUE
8	VIOLET
9	GREY
10	WHITE

WIRE COLOURS REPEAT IN ABOVE ORDER FOR ASSEMBLIES OVER 10 CONTACTS

- NOTES:
- CABLE ASSEMBLIES WILL BE BULK PACKED IN BAGS.
 - FOR COMPLETE SPECIFICATION, SEE COMPONENT SPECIFICATION C005XX AND C049XX (LATEST ISSUES).

DIMENSION	MEASUREMENT
DIM 'A'	TOTAL No. OF CONTACTS - 2.00
DIM 'B'	TOTAL No. OF CONTACTS + 2.00
DIM 'C'	(TOTAL No. OF CONTACTS / 2) + 3.15 MAX

EXAMPLE PART No.:

3 CONTACT CONNECTOR WITH 150mm OF 22AWG WIRE = M80-FD10368L0-0150L

7 CONTACT CONNECTOR WITH 450mm OF 26AWG WIRE = M80-FD30768L0-0450L

ORDER CODE:
M80-FDXXX68L0-XXXXL

WIRE AWG: _____

1 = 22AWG (LARGE BORE)
 2 = 24AWG (SMALL BORE)
 3 = 26AWG (SMALL BORE)
 4 = 28AWG (SMALL BORE)

DIM 'D' LENGTH:
 0060 = 60mm MIN
 9999 = 9999mm MAX
 (SEE TABLE FOR EXAMPLES)

TOTAL No. OF CONTACTS: _____
 02, 03, 04, 05, 06, 07, 17.

 www.harwin.com technical@harwin.com	THIS DRAWING AND ANY INFORMATION OR DESCRIPTIVE MATTER SET OUT HEREON ARE CONFIDENTIAL AND COPYRIGHT PROPERTY OF THE HARWIN GROUP AND MUST NOT BE DISCLOSED, LOANED, COPIED OR USED FOR MANUFACTURING, TENDERING OR FOR ANY OTHER PURPOSE WITHOUT THEIR WRITTEN PERMISSION.	TOLERANCES	MATERIAL:	TITLE: DATAMATE L-TEK FEMALE SINGLE-ENDED CABLE ASSEMBLY (SIL)
		X. = ±1mm X.X = ±0.50mm X.XX = ±0.20mm X.XXX = ±0.01mm ANGLES = ±5° UNLESS STATED	SEE ABOVE	DRAWING NUMBER: M80-FDXXX68L0-XXXXL
		FINISH: SEE ABOVE	S/AREA: mm ²	

RTP	4	08.10.21	31120
NAME	ISS.	DATE	CN/CO
APPROVED: R.PORTLOCK			
CHECKED: R.ALEXANDER			
DRAWN: R.PORTLOCK			
CUSTOMER REF.:			
ASSEMBLY DRG:			