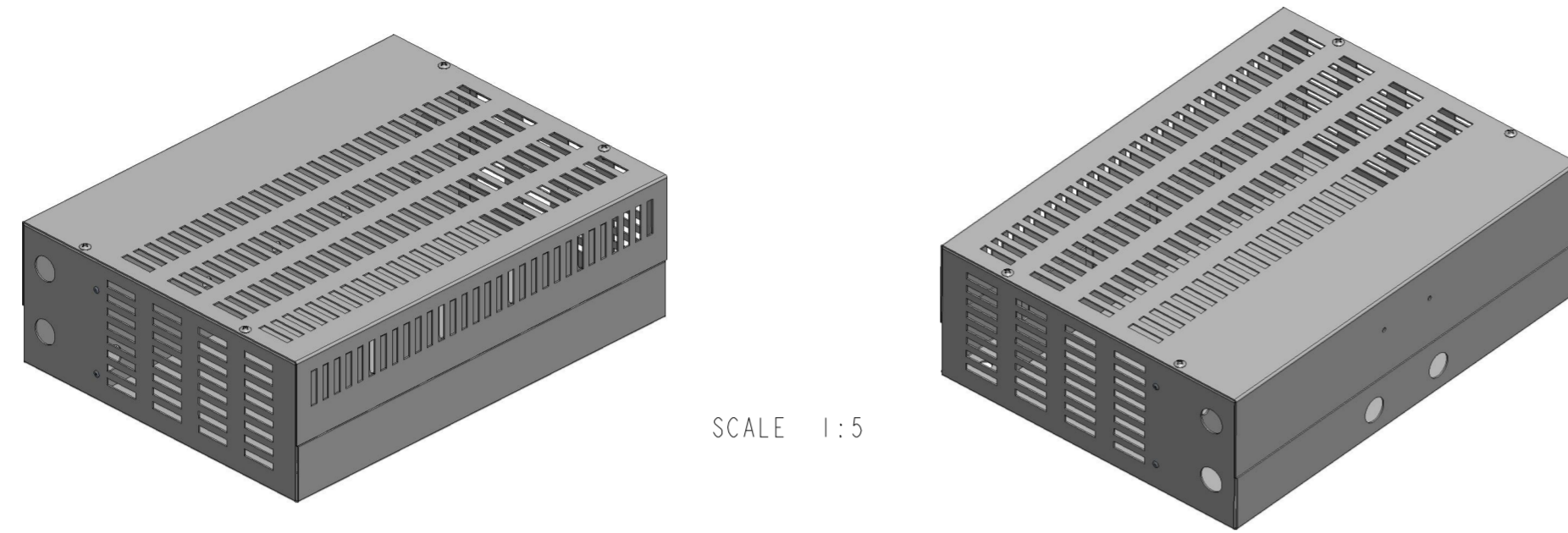


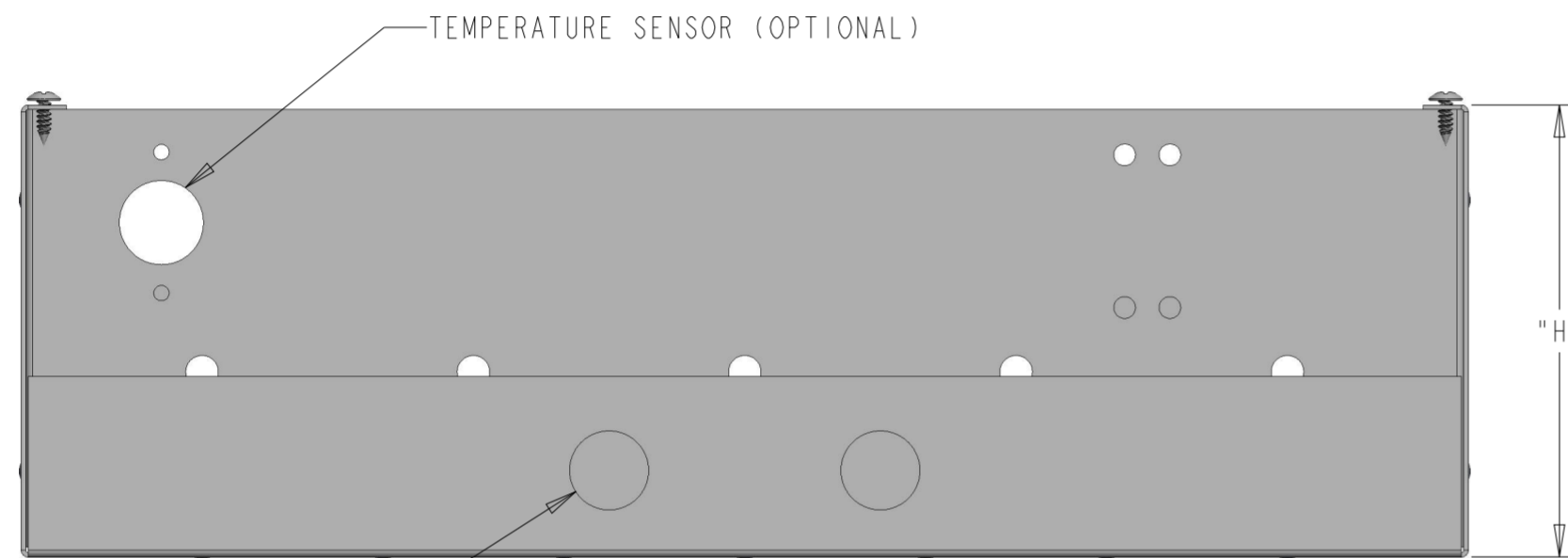
REVISIONS

P	LTR	DESCRIPTION	DATE	DWN	APVD
A		INITIAL RELEASE	07OCT2021	KS	AP

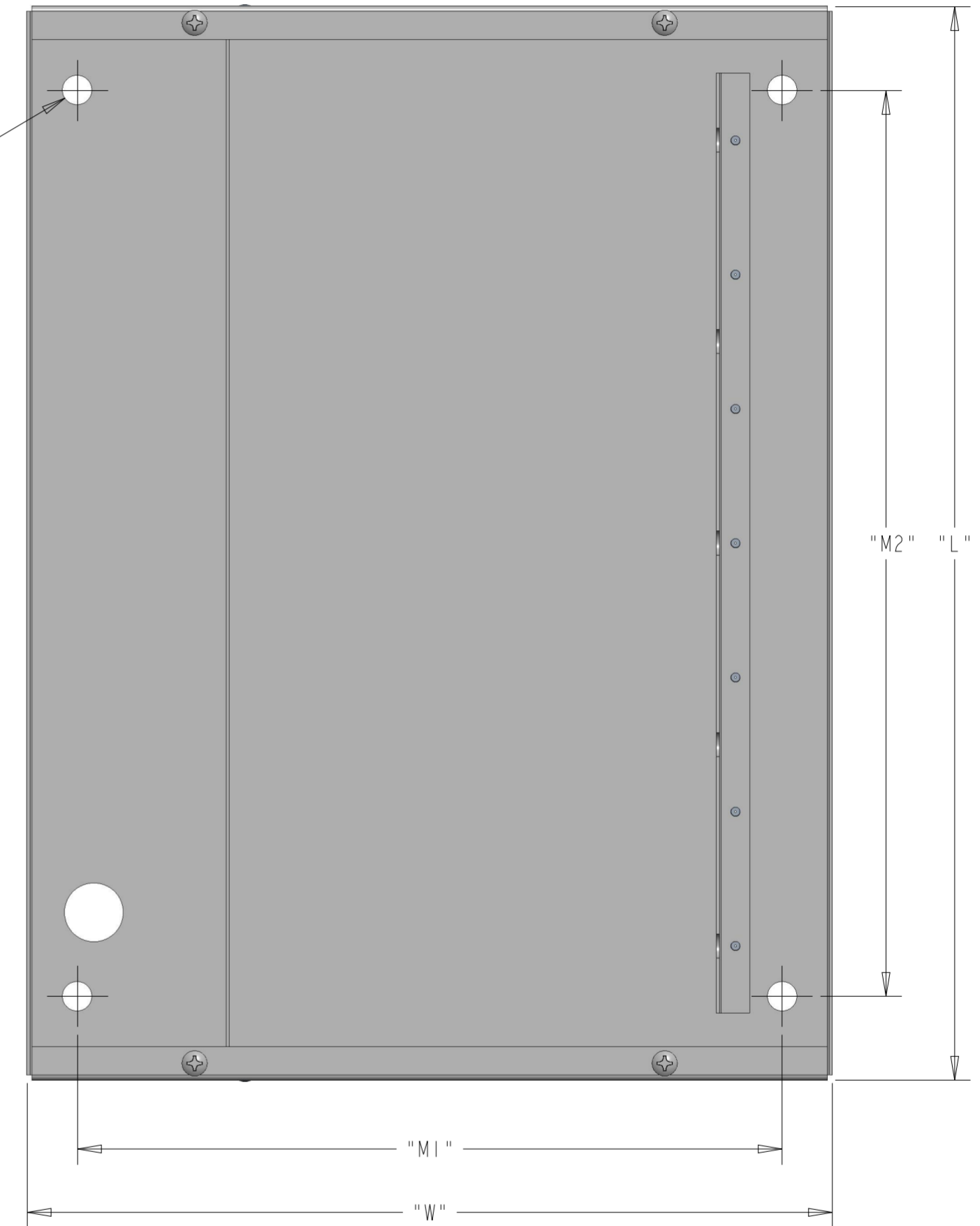


SCALE 1:5

(x4) $\varnothing 11.125$
(MOUNTING HOLES)



(x7) $\varnothing 22.225$ (KNOCKOUTS)
[ONE LOCATED ON BOTTOM
2 ON LEFT AND RIGHT SIDE]



PART NUMBER	W (mm)	L (mm)	H (mm)	M1 (mm)	M2 (mm)	TOTAL RESISTANCE	H.P.	DUTY CYCLE	DRIVE VOLTAGE	BRAKING TORQUE
HPBA020D250R050E	305	406	127	267	343	250 Ohms \pm 10%	2.00	50%	460 V	150%

THIS DRAWING IS A CONTROLLED DOCUMENT.

DWN	S. KARTHIK	23-09-2021
CHK	ALLAN PILE	23-09-2021
APVD	ALLAN PILE	23-09-2021

STE TE Connectivity

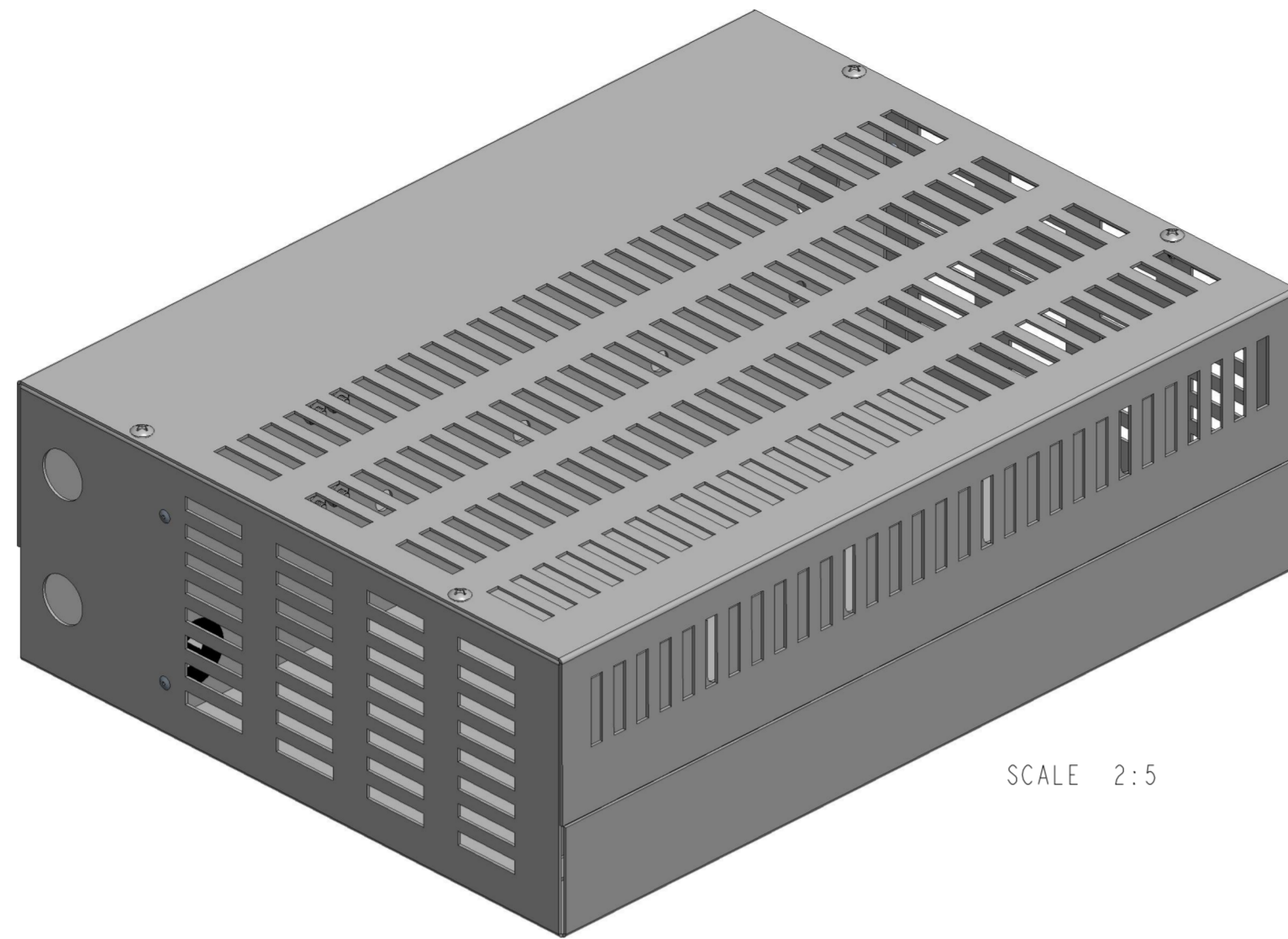
NAME: BRAKING RESISTOR ASSEMBLY TYPE HPBA SERIES HPBA020D250R050E

SIZE	A2	CAGE CODE	00779	DRAWING NO	C-3-2176470-5	RESTRICTED TO	-
MATERIAL	-	WEIGHT	-	CUSTOMER DRAWING	SCALE 1:2	SHEET 1 OF 2	REV A

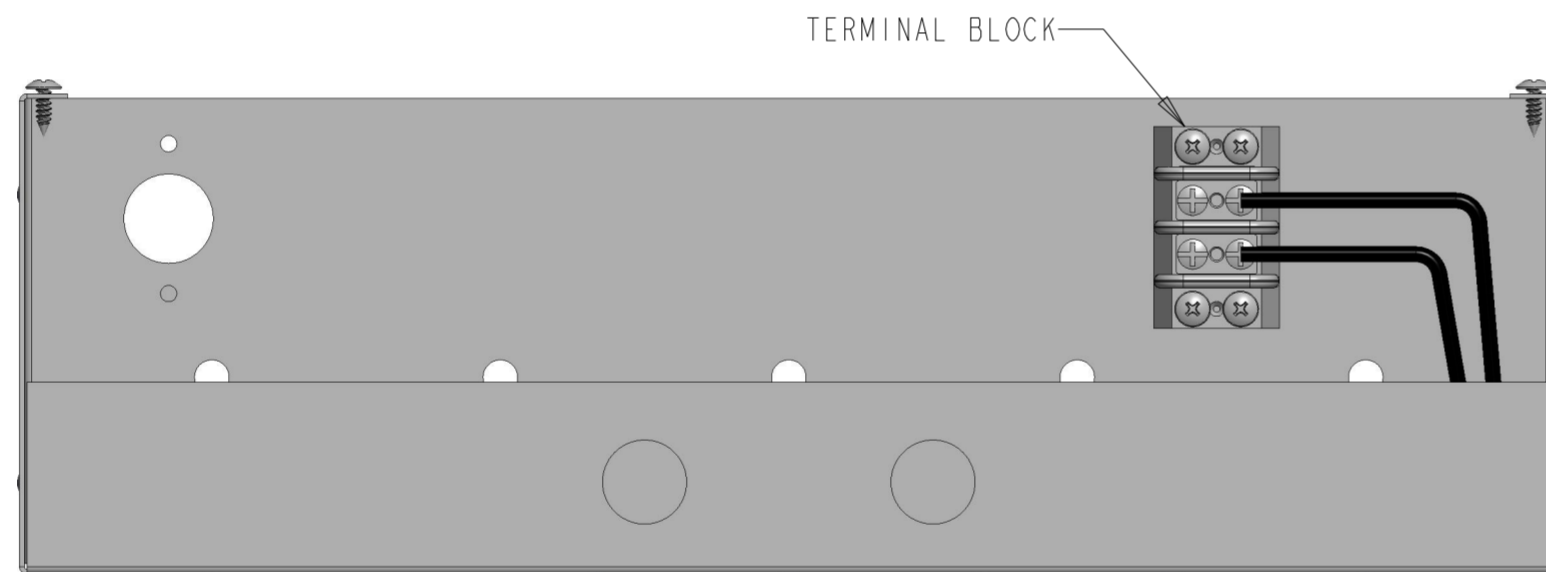
NOTE:
1. FOR FURTHER TECHNICAL INFORMATION PLEASE SEE THE DATASHEET FOR THE HPBA SERIES

REVISIONS

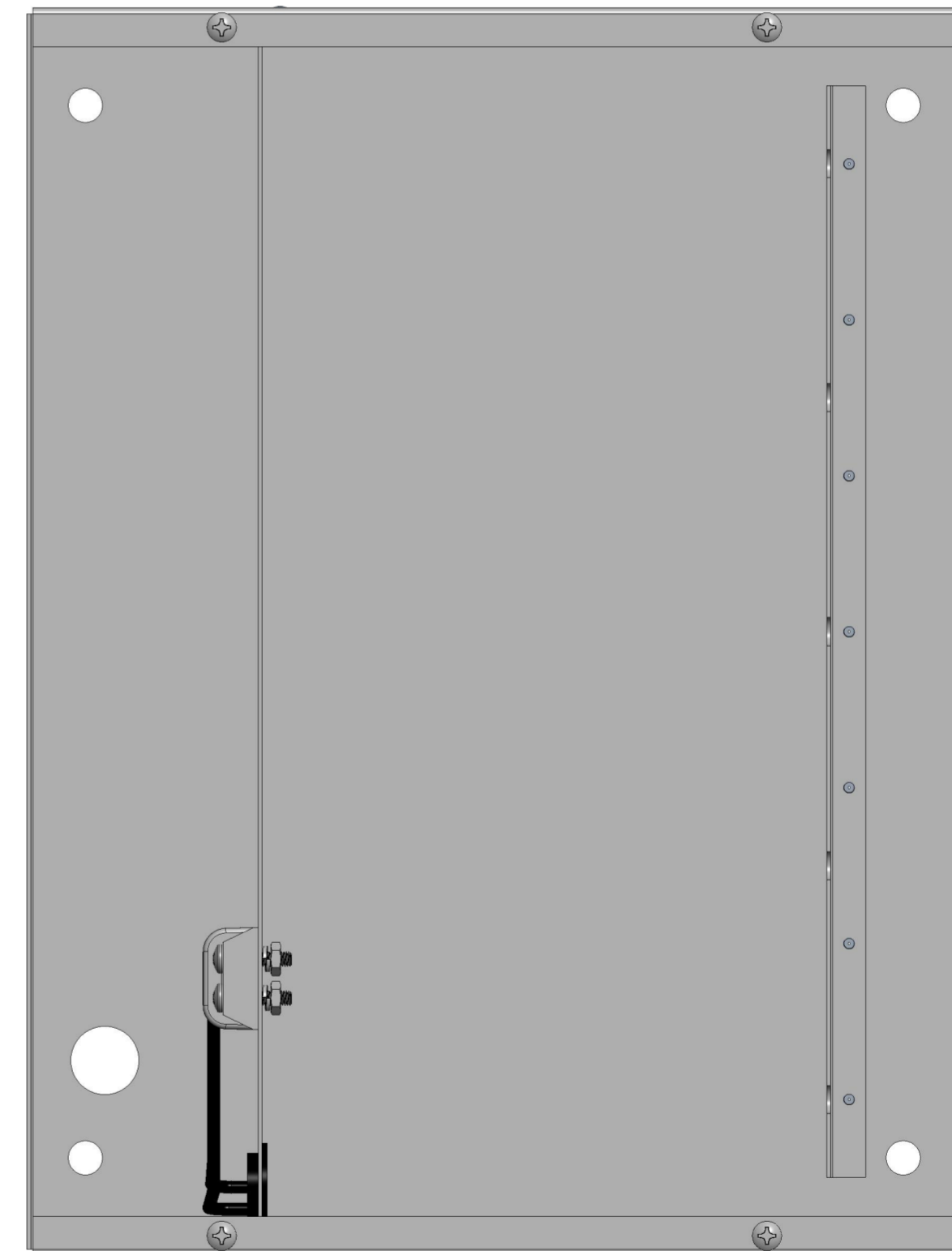
P	LTR	DESCRIPTION	DATE	DWN	APVD
		SEE SHEET 1			




SCALE 2:5



TERMINAL BLOCK



THIS DRAWING IS A CONTROLLED DOCUMENT.		DWN S. KARTHIK 23-09-2021	 TE Connectivity															
DIMENSIONS: mm		CHK ALLAN PILE 23-09-2021																
TOLERANCES UNLESS OTHERWISE SPECIFIED:		APVD ALLAN PILE 23-09-2021	NAME BRAKING RESISTOR ASSEMBLY TYPE HPBA SERIES HPBA020D250R050E															
<table border="0"> <tr> <td>0 PLC</td> <td>±</td> </tr> <tr> <td>1 PLC</td> <td>±</td> </tr> <tr> <td>2 PLC</td> <td>±0.50</td> </tr> <tr> <td>3 PLC</td> <td>±0.500</td> </tr> <tr> <td>4 PLC</td> <td>±</td> </tr> <tr> <td>ANGLES</td> <td>±</td> </tr> <tr> <td>FINISH</td> <td>-</td> </tr> </table>		0 PLC	±	1 PLC	±	2 PLC	±0.50	3 PLC	±0.500	4 PLC	±	ANGLES	±	FINISH	-	PRODUCT SPEC -	SIZE A2	
0 PLC	±																	
1 PLC	±																	
2 PLC	±0.50																	
3 PLC	±0.500																	
4 PLC	±																	
ANGLES	±																	
FINISH	-																	
MATERIAL -		APPLICATION SPEC -	CAGE CODE 00779	DRAWING NO C-3-2176470-5														
		WEIGHT -	RESTRICTED TO -															
		CUSTOMER DRAWING	SCALE 1:2	SHEET 2 OF 2														
			REV A															