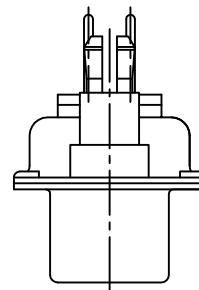
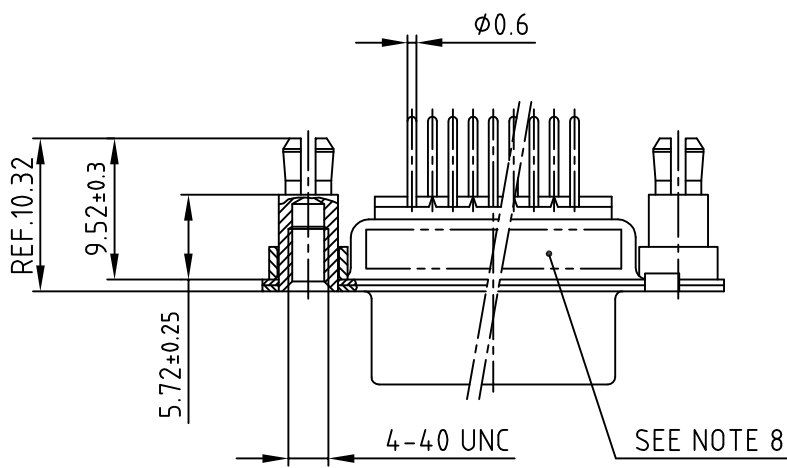
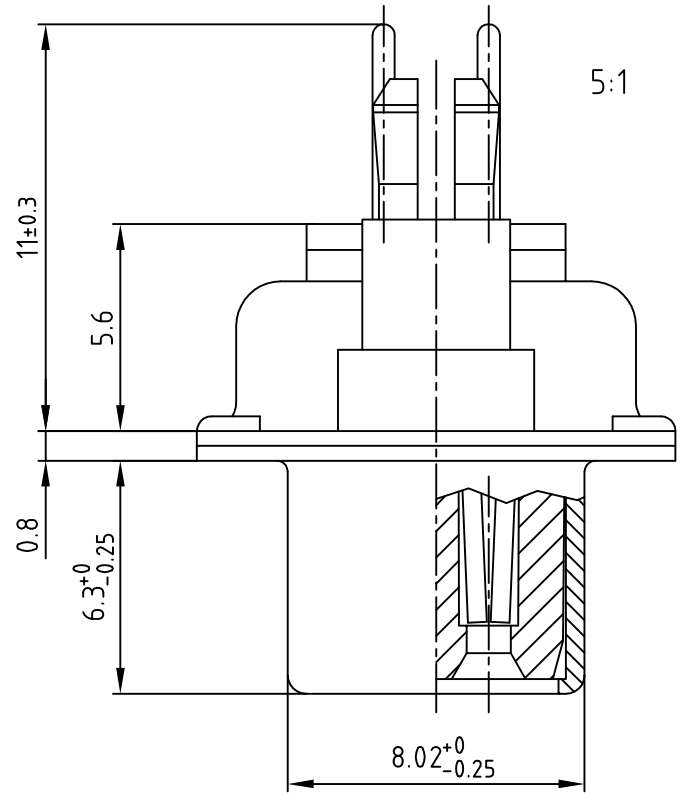
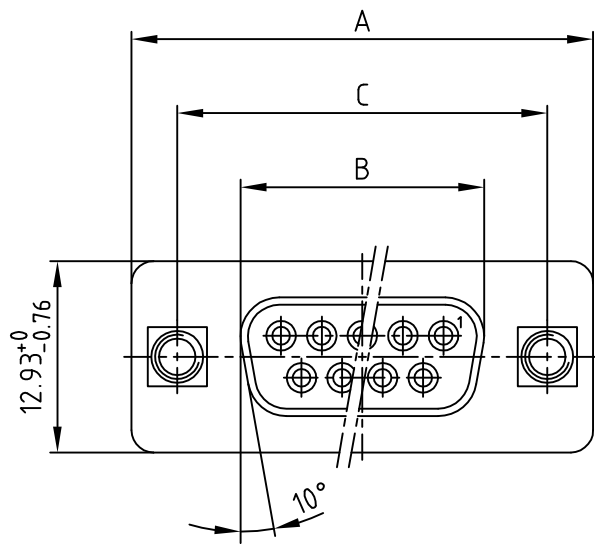


used for: D-SUB



POS.	A -0.76	B -0.25	C	Part NO.
9	31.19	16.46	25.00 ^{+0.12/-0.13}	DSS1XSRAA44X
15	39.52	24.79	33.30 ^{+0.15/-0.1}	DSS2XSRAA44X
25	53.42	38.50	47.04 ^{+0.13}	DSS3XSRAA44X
37	69.70	54.96	63.50 ^{±0.13}	DSS4XSRAA44X

NOTES:

- METALSHELLS: STEEL; min. 320µin TIN
- INSULATORS: PBT GF UL 94 V-0; BLACK
- CONTACTS: COPPER ALLOY
PLATING: 8µin HARD GOLD over min. 50µin NICKEL
- THREADED SPACER CLIPS: COPPER ALLOY; min. 200µin TIN over 80µin NICKEL
PCB-HOLE: $\phi 3.1 \pm 0.1$; PCB THICKNESS 2.3mm
- COLLARS: COPPER ALLOY; min. 200µin TIN over 80µin NICKEL
- P.C.B. HOLE DRILLINGS ON DRAWING NO.: 16K111UA
- MAXIMUM TORQUE VALUE FOR THREAD: 6 in.LB
- CONNECTOR IS PART MARKED: PART-NO. CONEC ABC

Directive 2002/95/EC RoHS compliant

APPROVAL # FREIGABE # DEBLOCAGE # AUTORIZACION # APPROVAL	
CUSTOMER APPROVAL DATE:	
NAME:	TITLE:
COMPANY NAME:	
APPROVAL # FREIGABE # DEBLOCAGE # AUTORIZACION # APPROVAL	

THIS DRAWING MAY NOT BE COPIED OR REPRODUCED IN ANY WAY, AND MAY NOT BE PASSED ON TO A THIRD PARTY WITHOUT WRITTEN PERMISSION.
 OWNERSHIP AND COPYRIGHT OF CONEC GmbH
 DO NOT ALTER CAD DRAWING BY HAND

rev.	description	date	name
a	Original		



tolerance	dim. in mm	scale:	2:1 (5:1)
		material:	SEE NOTES
2004	date	name	title: D-SUB FEMALE 9-37pos. PIN VERSION with threaded spacer clip
drawn	05.03.	Lehmenkühler	
appd.	05.03.	Mickenbecker	
	norm	DIN 41652	
	d-old		
dwg no:		AutoCAD 2000	DIN-A
part no:		16K1A1117	3
			sh:1/1
part no:		SEE TABLE	