



CAB493RF: I-PEX MHF PLUG + FRONT MOUNT S/S SMA STRAIGHT BULKHEAD JACK W/O-RING RATED TO IP68/69K + MULTIPLE CABLE SIZES, 6GHz

**SPECIFICATIONS :**

1. I-PEX MHF PLUG, GOLD PLATED, P/N:  
FOR RG178 CABLE: 20278-112R-18.  
FOR  $\phi$ 1.13MM LL CABLE: 20278-112R-13.
2. COAXIAL CABLE, SEE P/N OPTIONS FOR DETAIL.
3. FRONT MOUNT SMA STRAIGHT BULKHEAD JACK W/O-RING, W/SUS303 STAINLESS STEEL BODY, RATED TO IP68/69K, P/N: RFCT-SMA095-F78 (WITH SILICONE O-RING) OR RFCT-SMA095-F78-1 (WITH EPDM O-RING).

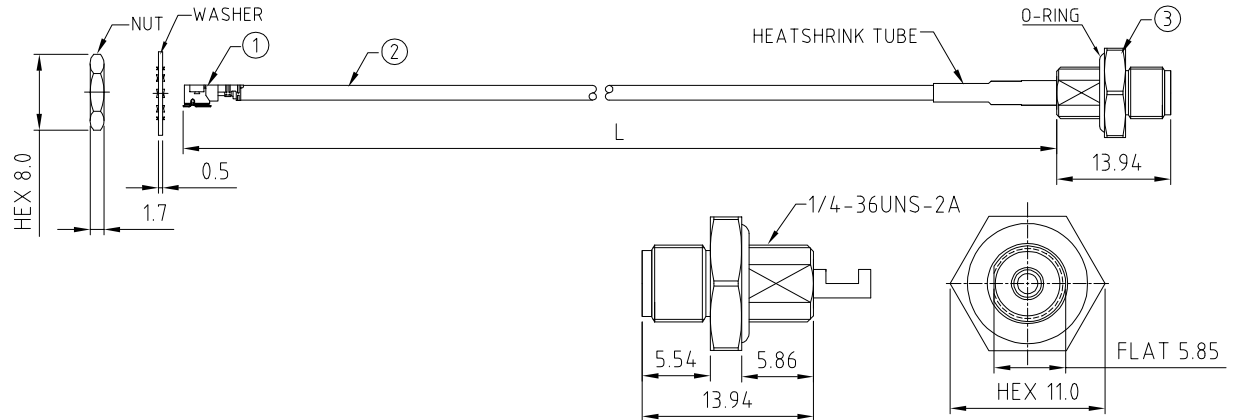
**ENVIRONMENTAL:**

- A. BULKHEAD MOUNTED CONNECTOR (RFCT-SMA095-F78) TESTED TO THE FOLLOWING SPECIFICATION:
  - i. IP6X - DUST TIGHT - NO PARTICLE INGRESS.
  - ii. IPX8 WATERPROOF FOR 48 HOURS AT 1 METER UNDERWATER.
  - iii. IPX9K WATER SPRAY, 14-16L PER MINUTE, AT 8,000-10,000 KPA, AT 100-150MM DISTANCE FOR 30 SECONDS.

**NOTES:**

1. THE ORIENTATION OF CONNECTORS ON DRAWING IS FOR REFERENCE ONLY, IF THE ORDER IS LEFT BLANK THE CONNECTOR WILL NOT HAVE FIXED ORIENTATION.
2. FIXED ORIENTATION IS SUGGESTED FOR CABLE LENGTH 25MM TO 100MM. PLEASE SPECIFY THE FIXED ORIENTATIONS FROM THE ORDER CODE (F1, F2, ETC)
3. CONTACT GRADCONN IF THE ORIENTATION YOU REQUIRE IS NOT SHOWN.
4. WORKING FREQUENCY RANGE: DC-6GHz.
5. OPERATING TEMPERATURE: -40°C TO +85°C
6. IMPEDANCE: 50 OHM
7. IF THE CONNECTOR IS USED IN A CORROSIVE ENVIRONMENT, WE RECOMMEND THE CONNECTOR FACE IS PROTECTED WITH A STAINLESS STEEL DUST CAP.
8. PLEASE USE THE RECOMMENDED TORQUE FORCES FOR STAINLESS STEEL CONNECTORS. THIS IS PUBLISHED ON GRADCONN.COM RESOURCES PAGE.

**USAGE PRECAUTIONS: CABLES USING 'MICRO' COAX ARE DELICATE:**  
 (i) HANDLE WITH CARE.  
 (ii) DO NOT TWIST; APPLY EXCESSIVE FORCES OR SHARP BENDS TO THE CABLE. DO NOT FORCEFULLY DEFORM WIRES.  
 (iii) CONSULT CONNECTOR MANUFACTURER'S DATASHEETS FOR DETAILED NOTES ON HANDLING INSTRUCTIONS.



SMA JACK DETAIL DRAWING

**HOW TO ORDER**  
 CAB493RF - X X X X - X X - X - X - X

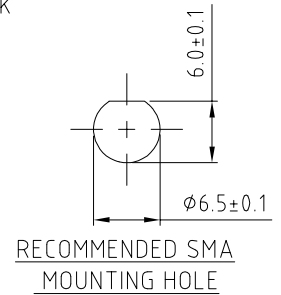
"L" LENGTH IN MM:  
 eg: 100MM = 0100  
 (MIN. 0025-MAX.0400)  
 STANDARD = 0100, 0150, 0200)  
 Tolerance: 50mm:  $\pm$ 2mm.  
 51-200mm:  $\pm$ 5mm.  
 201-400mm:  $\pm$ 7mm.

O-RING MATERIAL OPTIONS:  
 S = SILICONE, RED (STANDARD)  
 E = EPDM, BLACK

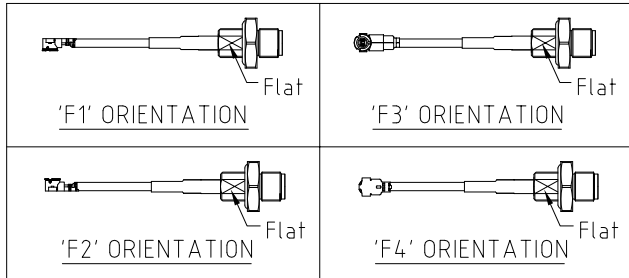
CABLE SIZE OPTIONS:  
 1 = RG178 CABLE, COLOR: BROWN.  
 2 =  $\phi$ 1.13MM LOW LOSS CABLE, COL.OR: GRAY

WASHER AND NUT OPTIONS:  
 BLANK = SEPARATELY PACKED (STANDARD)  
 A = ALL ASSEMBLED WITH CONNECTOR

ORIENTATION OPTIONS:  
 BLANK = DOES NOT HAVE A FIXED ORIENTATION  
 F1 = MHF CONNECTION DOWN (L=25-200MM)  
 F2 = MHF CONNECTION UP (L=25-200MM)  
 F3 = MHF CONNECTION AND D FLAT SAME ORIENTATION (L=25-200MM)  
 F4 = MHF CONNECTION AND D FLAT OPPOSITE ORIENTATION (L=25-200MM)  
 (SEE NOTES 1, 2, 3 AND DIAGRAMS FOR MORE INFORMATION)



RECOMMENDED SMA MOUNTING HOLE



REV. DATE & DRN  
 10 07/02/21 - NYW RELEASE  
 11 11/09/22 - NYW REMOVE PRELIMINARY MARKING  
 12 07/07/22 - NYW ADD CABLE OPTION 2  
 13 ADD NOTE & NYW

Scale: NTS	THIRD ANGLE	Unstated: .X .XX .XXX	Tolerances: N/A N/A N/A
Drawn: NYW		ANGLES	N/A
App'd: XXX	Title: CABLE ASSEMBLY		
Date: 21 DEC '22	Revision: 13	Unit: mm	

IP67/68 Rated Cables      www.gradconn.com

© THIS DRAWING IS CONFIDENTIAL AND MUST NOT BE COPIED OR DISCLOSED WITHOUT WRITTEN CONSENT

Drawing Number: CAB493RF	
Sheet 1	of 1
Drawing ©	E and O E