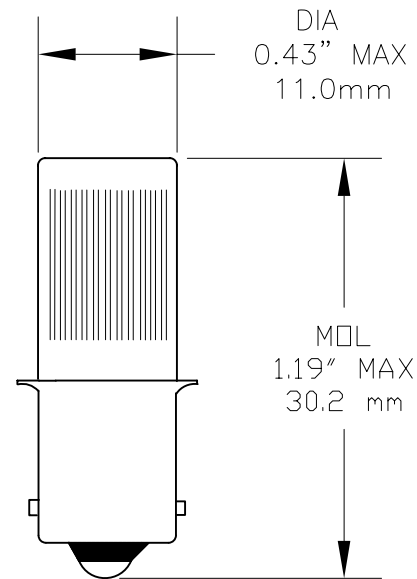


PART NO.	BASE TYPE	CIRCUIT VOLTS	DESIGN CURRENT	Series Resistance (OHMS)	AVG LIFE
B2A T-3 1/4	MINIATURE BAYONET	105V/125V	1.2 mA	* 47K	15000



\* Resistor not included.

UNLESS OTHERWISE SPECIFIED: DIMENSIONS ARE IN INCHES TOLERANCES		CEC INDUSTRIES LTD			
DECIMALS .XX ± .05 .XXX ± .010 FRACTIONAL ± 1/64		ANGULAR ± 0.5°		599 BOND STREET LINCOLNSHIRE, IL 60069	
DRAWN D. C.		DATE 1/04/2005		TITLE Neon Glow Lamp No. B2A	
CHECKED		SIZE A	FSCM NO.	DWG NO. B2A	REV 1
DESIGN		SCALE	PLOT SCALE	SHEET 1 OF 1	
MATERIAL		FILE B2A.dwg		DO NOT SCALE DRAWING	