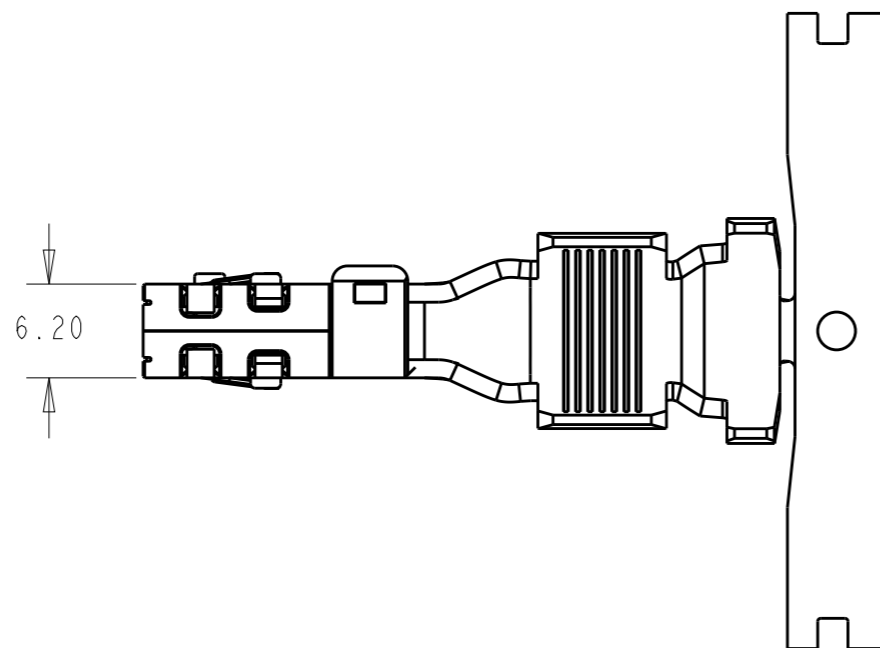
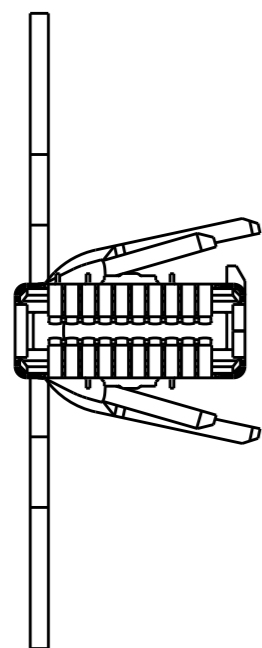
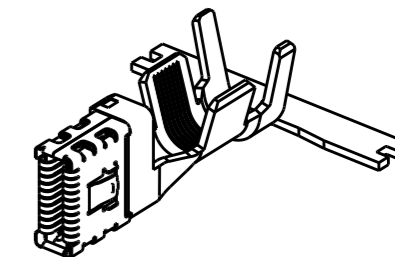
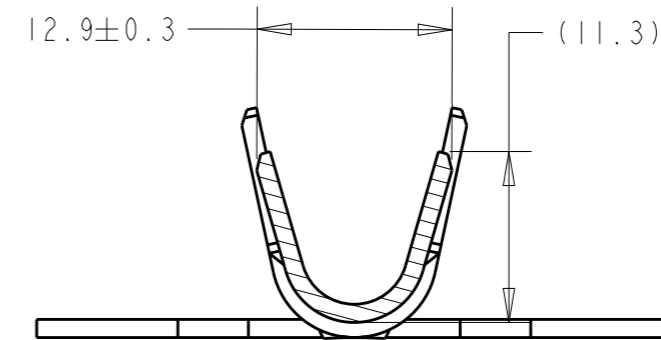


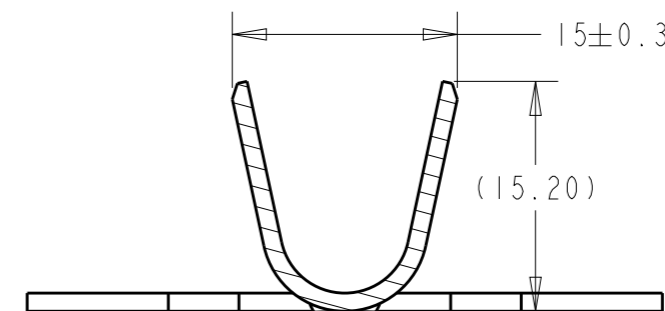
P	LTR	DESCRIPTION	DATE	DWN	APVD
	A	INITIAL	23JUN2020	A.W	R.B



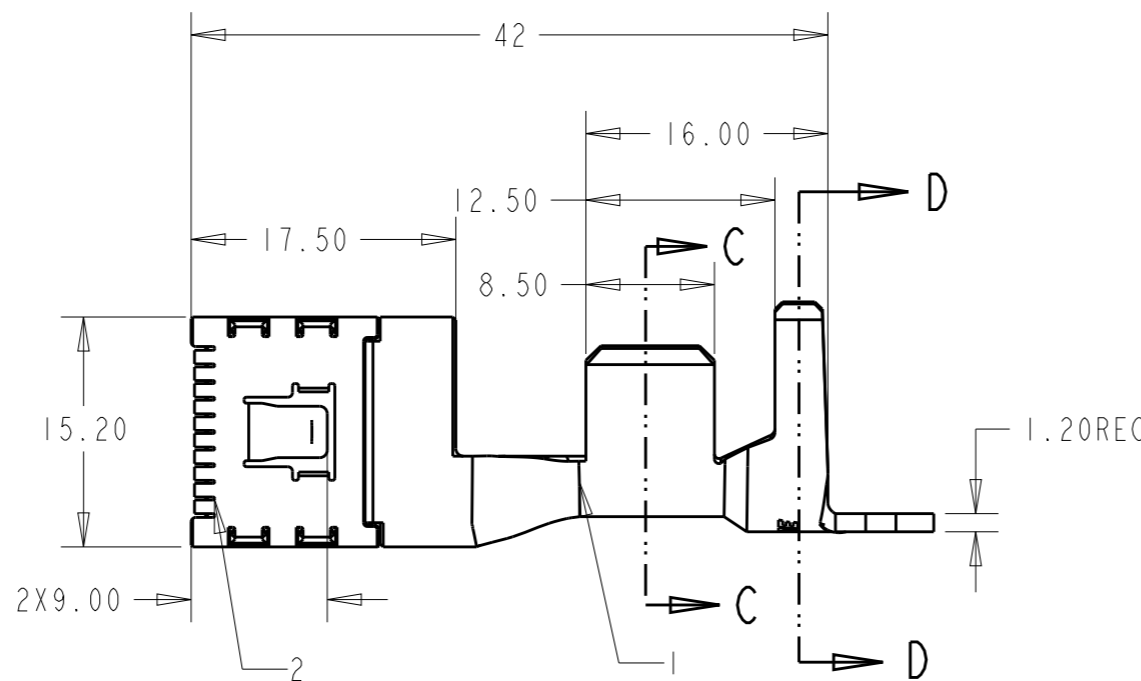
2373747-5 AS SHOWN



SECTION C-C  
SCALE 2:1



SECTION D-D  
SCALE 2:1



NOTE  
1. APPLICABLE WIRE RANGE: AHHEX 25SQ

NO.	DESCRIPTION	MATERIAL	FINISH	P/N
2	SPRING	COPPER ALLOY	Ag	2373747-5
1	BODY	COPPER ALLOY	Ag	

THIS DRAWING IS A CONTROLLED DOCUMENT.

DIMENSIONS:	TOLERANCES UNLESS OTHERWISE SPECIFIED:
mm	
	0 PLC ±0.3
	1 PLC ±0.3
	2 PLC ±0.3
	3 PLC ±0.3
	4 PLC ±0.3
	ANGLES ±3
MATERIAL	FINISH
TBD	-

DWN	ALVIN.W	22JUN2020
CHK	RICK.B	22JUN2020
APVD	RICK.B	22JUN2020
PRODUCT SPEC	108-78768	
APPLICATION SPEC	114-78058	
WEIGHT	-	
CUSTOMER DRAWING		



NAME				REC CONTACT DYNAMIC 8000	
SIZE	CAGE CODE	DRAWING NO	RESTRICTED TO		
A3	00779	©-2373747	-		
SCALE 1:1			SHEET	OF	REV A