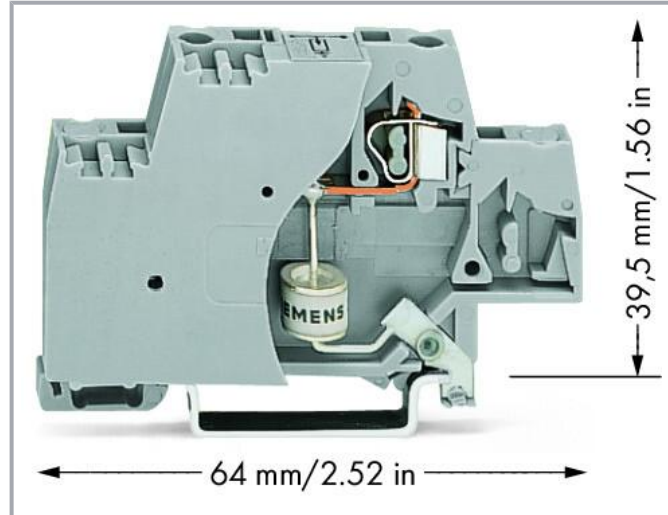
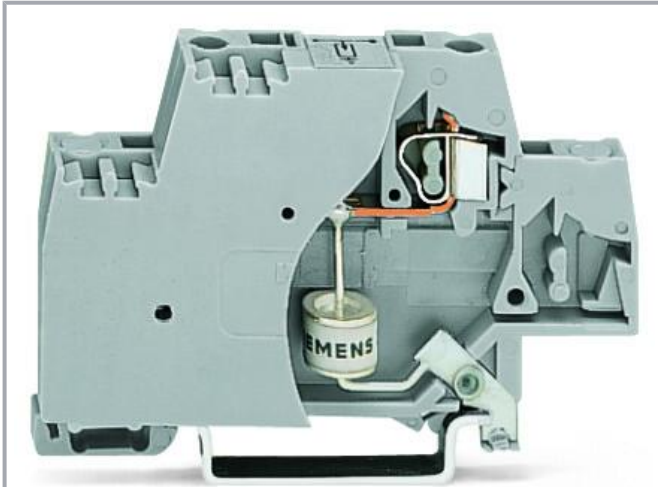


Data sheet | Item number: 280-503/281-581

Component terminal block; double-deck; with end plate; with gas-filled surge arrester; for DIN-rail 35 x 15 and 35 x 7.5; 2.5 mm²; CAGE CLAMP®; 2,50 mm²; gray

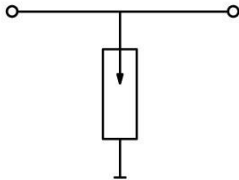


www.wago.com/280-503/281-581



 Picture differs from the item.

Color: 



Item description

Short description:

This component terminal block with surge suppression device, end plate and direct connection to the DIN-35 rail is equipped with a gas-filled surge.

Features:

- Protect your system against overvoltage
- Slim, space-saving design
- Control operational costs by preventing expensive, unplanned downtime
- High operational reliability and system uptime

Subject to changes. Please also observe the further product documentation!

WAGO GmbH & Co. KG

Hansastr. 27

32423 Minden

Phone: +49571 887-0 | Fax: +49571 887-169

Email: info.de@wago.com | Web: www.wago.com

Do you have any questions about our products?

We are always happy to take your call at +49 (571) 887-44222.



Data

Electrical data

Nominal operating voltage	AC/DC 230 V
Highest continuous voltage	AC 450 V / DC 600 V
Rated continuous current	20 A
Nominal discharge current (8/20 μ s) (line)	5 kA
Protection level (8/20 μ s)	\leq AC 1100 V
Capacitance	\leq 2 pF

Connection data

Connections (number)	2
Connection technology	CAGE CLAMP®
Solid conductor	0.08 ... 2.5 mm ² / 28 ... 14 AWG
Fine-stranded conductor	0.08 ... 2.5 mm ² / 28 ... 14 AWG
Strip length	8 ... 9 mm / 0.31 ... 0.35 inches

Physical data

Width	10 mm / 0.394 inches
Height from upper-edge of DIN-rail	39.5 mm / 1.555 inches
Depth	64 mm / 2.52 inches

Mechanical Data

Design	with end plate; with direct connection to DIN-rail
Mounting type	DIN-35 rail

Material Data

Color	gray
Insulation material	Polyamide (PA66)
Material group	I
Flammability class per UL94	V0
Fire load	0.364 MJ
Weight	12.7 g

Environmental requirements

Processing temperature	-35 ... +85 °C
------------------------	----------------

Subject to changes. Please also observe the further product documentation!

Commercial data



Product Group	1 (Rail Mounted Terminal Blocks)
eCl@ss 10.0	27-14-11-27
eCl@ss 9.0	27-14-11-27
ETIM 8.0	EC000903
ETIM 7.0	EC000903
PU (SPU)	50 (1) pcs
Packaging type	box
Country of origin	DE
GTIN	4045454194284
Customs tariff number	85369010000

Environmental Product Compliance

RoHS Compliance Status	Compliant, No Exemption
------------------------	-------------------------


Required accessories

End plate

End plate		
	Item no.: 280-341 End and intermediate plate; 2.5 mm thick; orange	www.wago.com/280-341
	Item no.: 280-340 End and intermediate plate; 2.5 mm thick; gray	www.wago.com/280-340

Optional accessories

Tool

Operating tool		
	Item no.: 210-720 Operating tool; Blade: 3.5 x 0.5 mm; with a partially insulated shaft; multicoloured	www.wago.com/210-720

Jumpers


Jumper		
	Item no.: 280-492 Jumper; 2-way; insulated; gray	www.wago.com/280-492

Marking accessories

Marker		
--------	--	--

Subject to changes. Please also observe the further product documentation!


	Item no.: 2009-145 Mini-WSB Inline; for Smart Printer; 1700 pieces on roll; stretchable 5 - 5.2 mm; plain; snap-on type; white	www.wago.com/2009-145
--	--	--


	Item no.: 248-501 Mini-WSB marking card; as card; not stretchable; plain; snap-on type; white	www.wago.com/248-501
--	---	--

Insulation stop

Insulation stop

	Item no.: 280-472 Insulation stop; 0.75 - 1 mm ² ; 5 pieces/strip; black	www.wago.com/280-472
--	---	--

	Item no.: 280-470 Insulation stop; 0.08 - 0.2 mm ² "s" (0.14 mm ² "f-st"); 5 pieces/strip; white	www.wago.com/280-470
--	--	--

	Item no.: 280-471 Insulation stop; 0.25 - 0.5 mm ² ; 5 pieces/strip; light gray	www.wago.com/280-471
--	--	--

Downloads

Documentation

Bid Text

280-503/281-581 X81 - Datei	2019 Feb 19	xml 3.4 kB	Download
280-503/281-581 doc - Datei	2015 Feb 11	doc 26.1 kB	Download

Additional Information

Disposal and Recycling Electrical and electronic equipment, Batteries, Packaging	V 1.1.0 2022 Aug 18	pdf 2.2 MB	Download
---	------------------------	---------------	----------

CAD/CAE-Data

CAE data

EPLAN Data Portal 280-503/281-581	URL	Download
WSCAD Universe 280-503/281-581	URL	Download
ZUKEN Portal 280-503/281-581	URL	Download

WSCAD | Universe 280-503/281-581

Subject to changes. Please also observe the further product documentation!

WAGO GmbH & Co. KG
 Hansastr. 27
 32423 Minden
 Phone: +49571 887-0 | Fax: +49571 887-169
 Email: info.de@wago.com | Web: www.wago.com

Do you have any questions about our products?
 We are always happy to take your call at +49 (571) 887-44222.

Data sheet | Item number: 280-503/281-581

www.wago.com/280-503/281-581



WAGO Universal 280-503/281-581

[URL](#) [Download](#)

EPLAN Data Portal 280-503/281-581

[URL](#) [Download](#)

CAD data

2D/3D Models 280-503/281-581

[URL](#) [Download](#)

Environmental Product Compliance

Compliance Search

Environmental Product Compliance 280-503/281-581

[URL](#) [Download](#)

Component terminal block; double-deck; with end plate; with gas-filled surge arrester; for DIN-rail 35 x 15 and 35 x 7.5; 2.5 mm²; CAGE CLAMP®; 2,50 mm²; gray

Installation Notes

Subject to changes. Please also observe the further product documentation!

WAGO GmbH & Co. KG
Hansastr. 27
32423 Minden
Phone: +49571 887-0 | Fax: +49571 887-169
Email: info.de@wago.com | Web: www.wago.com

Do you have any questions about our products?
We are always happy to take your call at +49 (571) 887-44222.