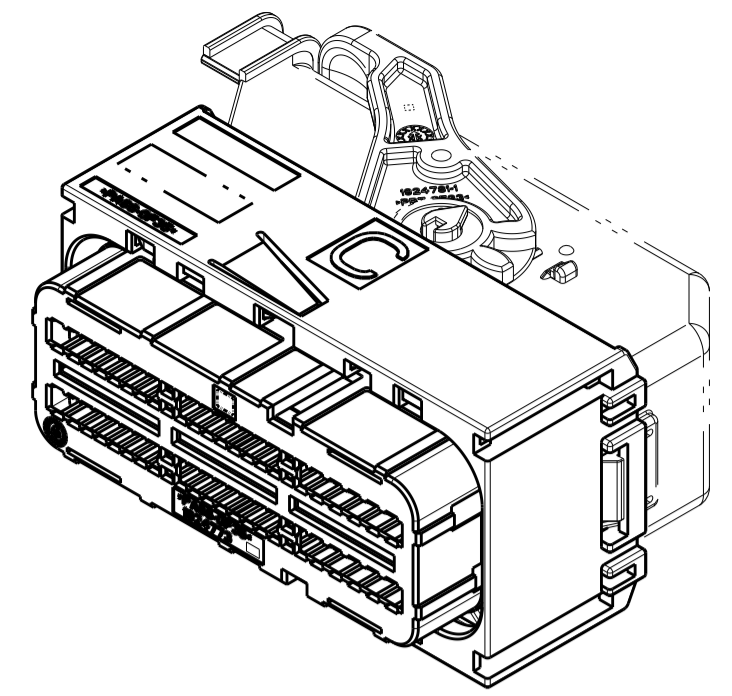
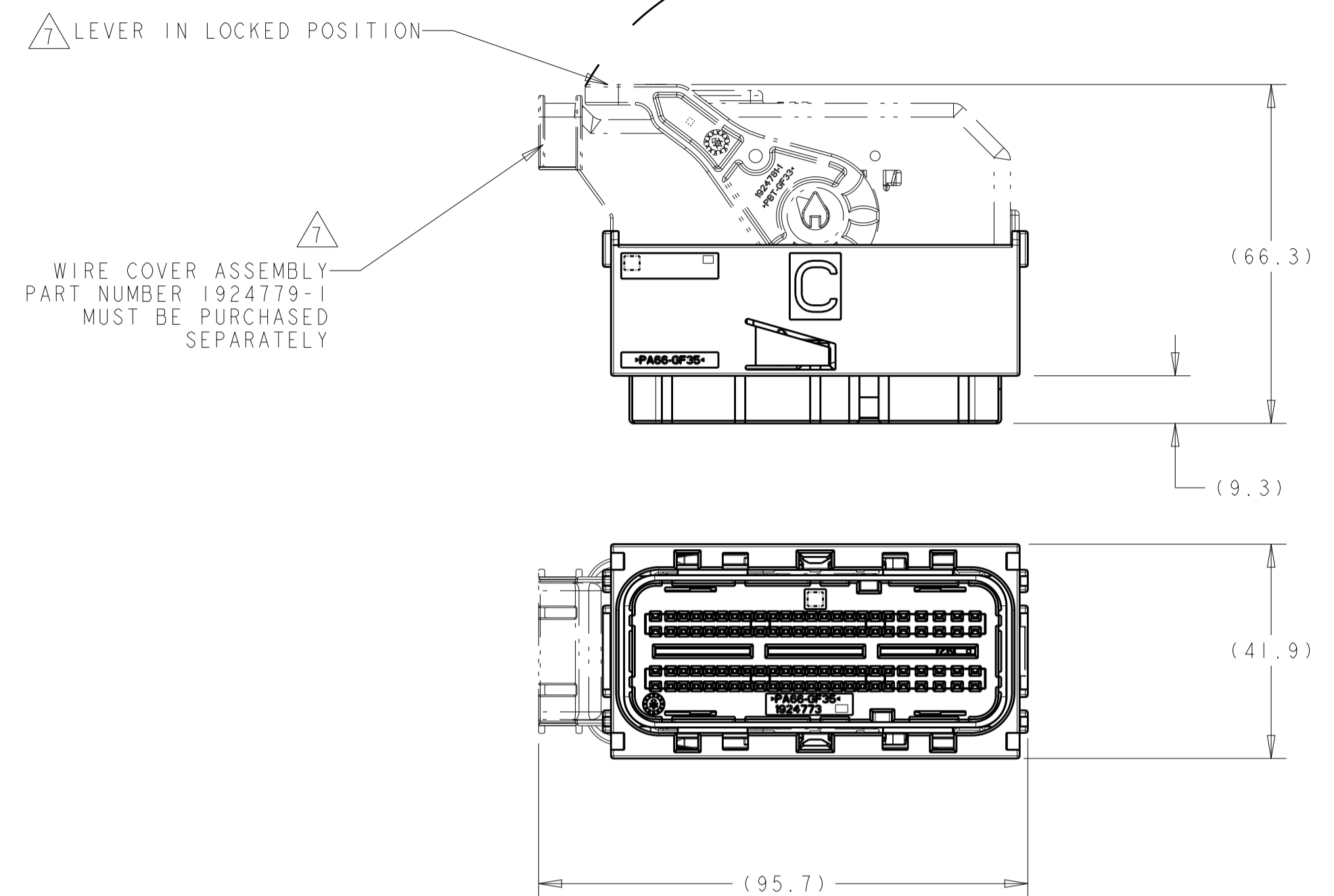
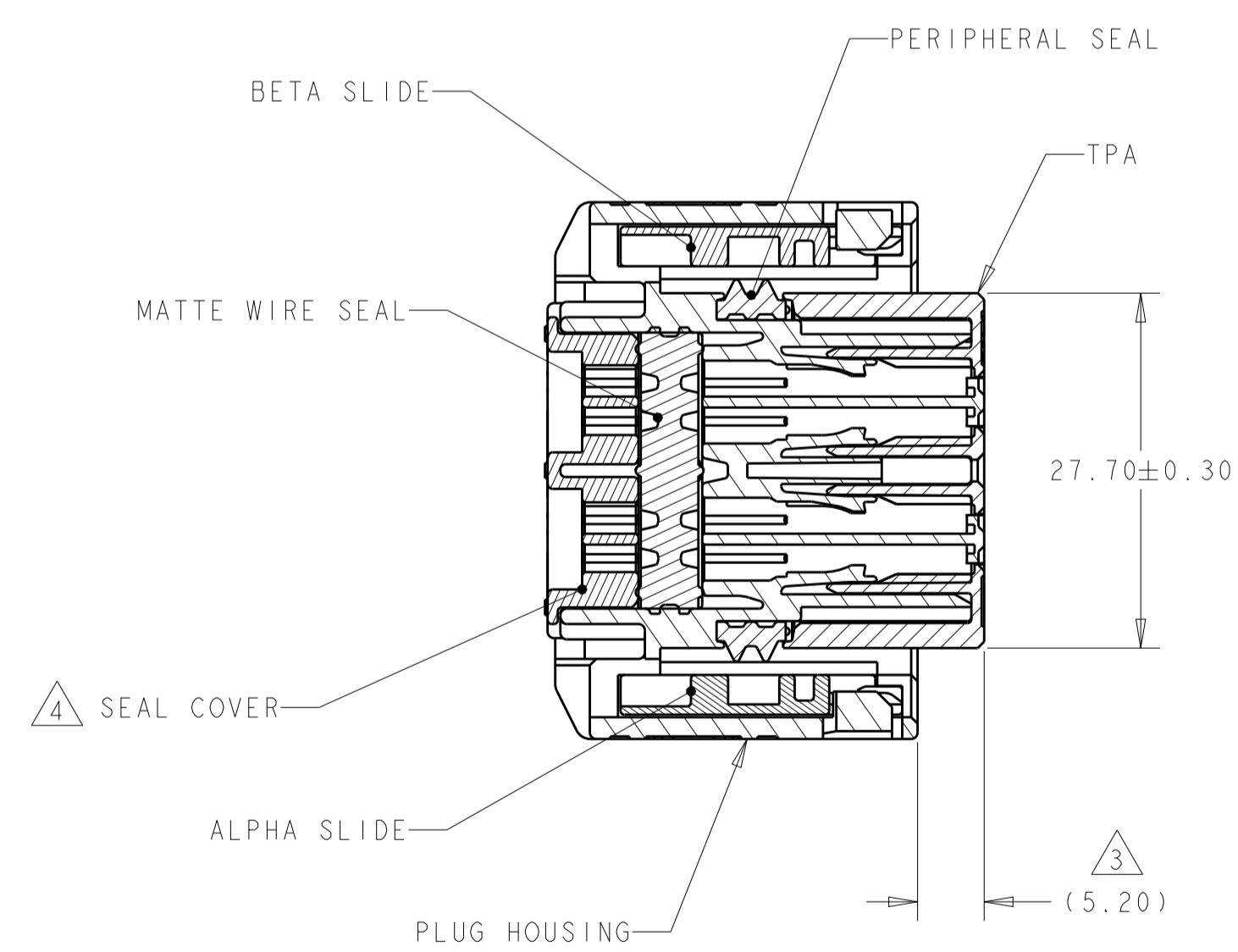
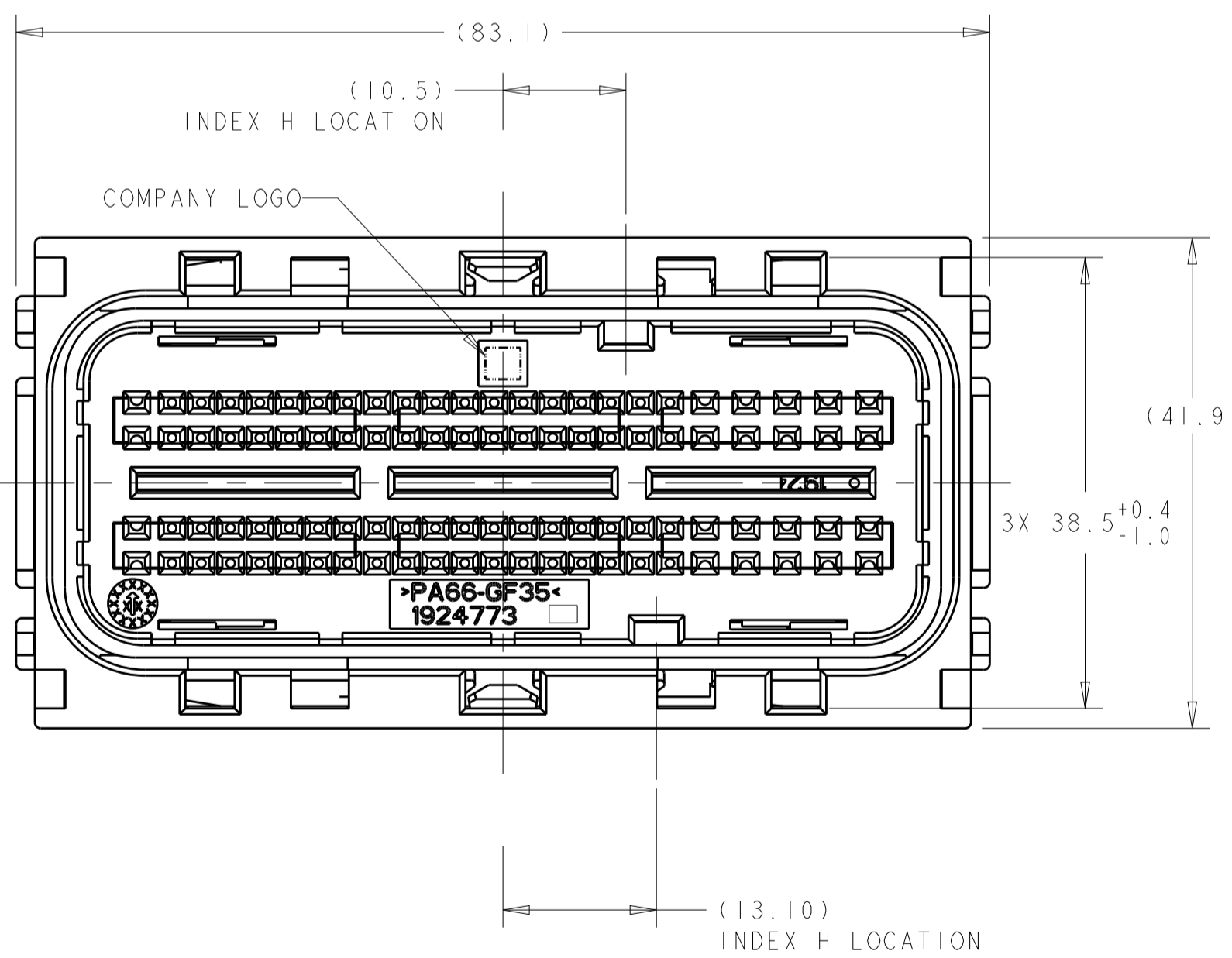
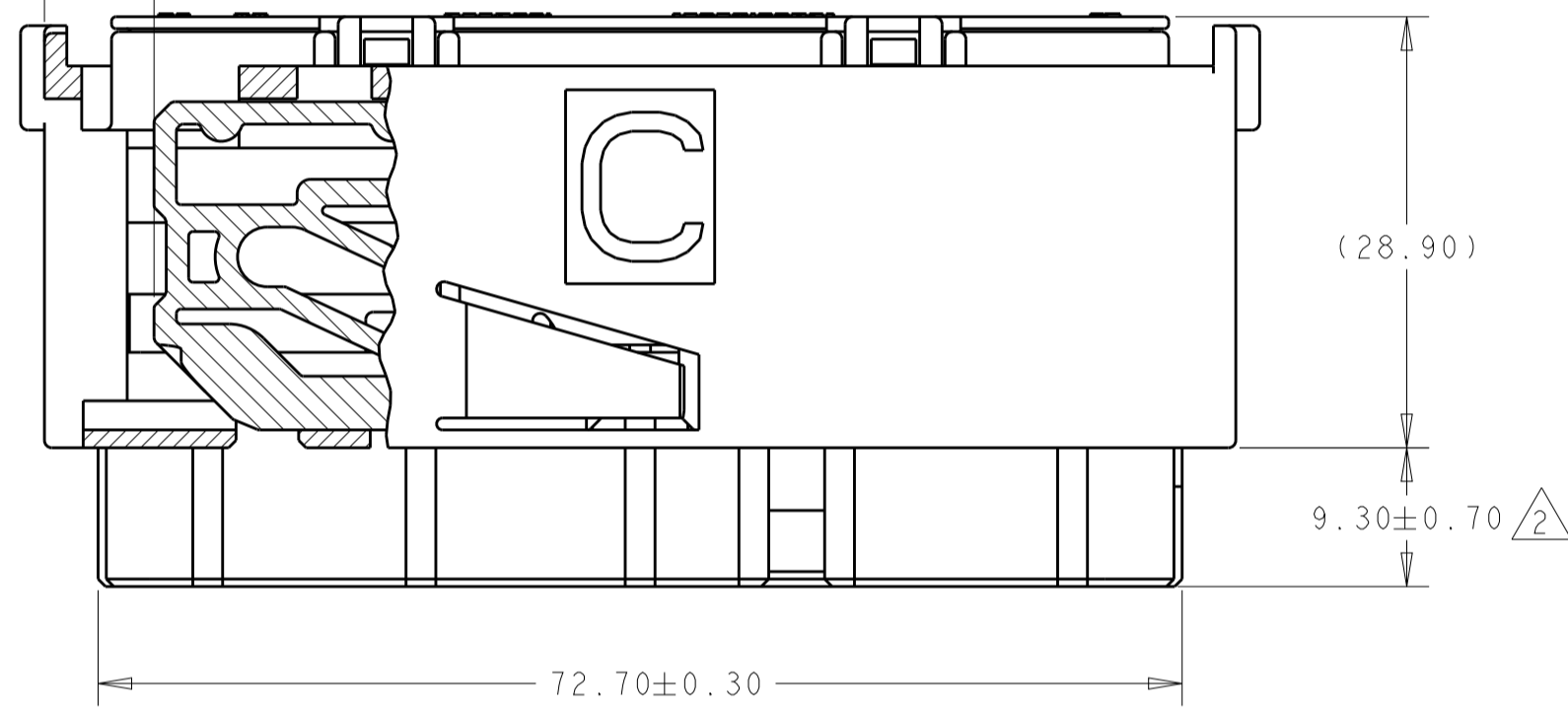
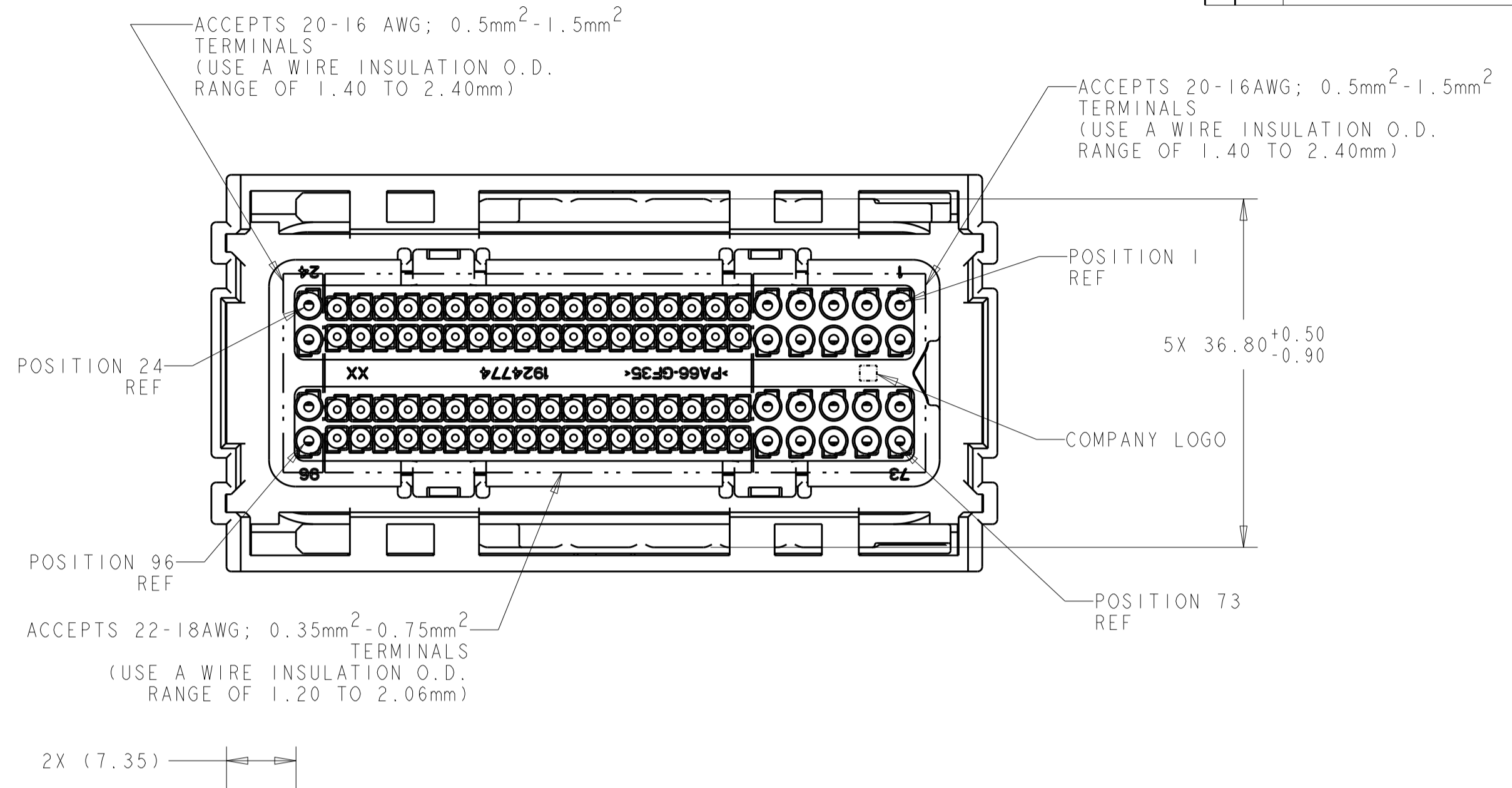


REVISIONS				
P.	LTN	DESCRIPTION	DATE	OWN APVD
B1		REVISED PER ECO-18-007750	17MAY2018	JMS GM
B2		REVISED PER ECO-18-017171	31OCT2018	JMS GM
B3		REVISED PER ECO-18-018735	04DEC2018	JMS GM
B4		REVISED PER ECO-19-019398	19DEC2019	CN HC



LEFT EXIT PLUG ASSEMBLY SHOWN WITH OPTIONAL WIRE COVER ASSEMBLY (MUST BE PURCHASED SEPARATELY) SCALE 1:1



(METHOD FOR IDENTIFYING EXIT ORIENTATION)

- 1. PLUG HOUSING AND SEAL COVER: NYLON 6/6, BLACK.
 TPA: NYLON 6/6, COLOR - SEE TABLE.
 MATTE WIRE SEAL: SILICONE, LIGHT BLUE.
 PERIPHERAL SEAL: SILICONE, GREEN.
 ALPHA SLIDE: NYLON 6/6, BLUE.
 BETA SLIDE: NYLON 6/6, GREEN.
- 2. TPA SHOWN IN PRE-LATCHED, AS SHIPPED, POSITION.
- 3. TPA SHOWN IN CLOSED POSITION.
- 4. SEE TABLE ON SHEET 2 FOR SEAL COVER PIN OUT CONFIGURATION.
- 5. PLUG ASSEMBLY MATES WITH TE CONNECTIVITY INTERFACE DRAWING 1924771-INT, POLARIZATION A.
- 6. PLUG ASSEMBLY WILL ACCEPT THE FOLLOWING GET TERMINAL PART NUMBERS: 1393364-1 (GOLD 22AWG; 0.35mm²)
 1393365-1 (GOLD 18-20AWG; 0.75mm²-0.5mm²)
 1924878-1 (TIN/SILVER 22AWG; 0.35mm²)
 1924879-1 (TIN/SILVER 18-20AWG; 0.75mm²-0.5mm²)
 1924782-1 (TIN/SILVER 1.0mm²)
 1924880-1 (TIN/SILVER 16AWG; 1.5mm²)
- 7. WIRE DRESS ASSEMBLY MUST BE INSTALLED ONTO PLUG ASSEMBLY WITH LEVER IN LOCKED POSITION.
- 8. APPLICATION SPEC'S: 408-10229, 408-10230
- 9. FORCE TO SEAT TPA COMPONENT FROM PRE-SET TO LOCKED (FULLY LOADED W/ TERMINALS) TO BE 83N MAX.
- 10. FORCE TO MOVE TPA FROM FULLY LOCKED TO PRE-SET TO BE 115N MAX. FLAT BLADE SCREWDRIVER SUGGESTED FOR REMOVAL OF TPA.

ALL CLOSED	BLUE	H	9-2098866-9
SEE TABLE, SH 2	BLUE	H	2098866-8
SEE TABLE, SH 2	BLUE	H	2098866-7
SEE TABLE, SH 2	BLUE	H	2098866-6
SEE TABLE, SH 2	BLUE	H	2098866-5
SEE TABLE, SH 2	BLUE	H	2098866-4
SEE TABLE, SH 2	BLUE	H	2098866-3
SEE TABLE, SH 2	BLUE	H	2098866-2
ALL OPEN	BLUE	H	2098866-1
BLOCKED CIRCUITS	TPA COLOR	INDEX REF	PART NUMBER

THIS DRAWING IS A CONTROLLED DOCUMENT.

DL DRUMMOND 02NOV2010
 CH AJ VASINDER 02NOV2010
 APVD AJ VASINDER 02NOV2010

TE Connectivity

PLUG ASSEMBLY, 96 POSITION, INDEX H - LEFT EXIT, SEALED, GPEC 111

SIZE: A1 CAGE CODE: 02NOV2010 DRAWING NO: 2098866

SCALE: 2:1 SHEET 1 OF 2 REV: B4

