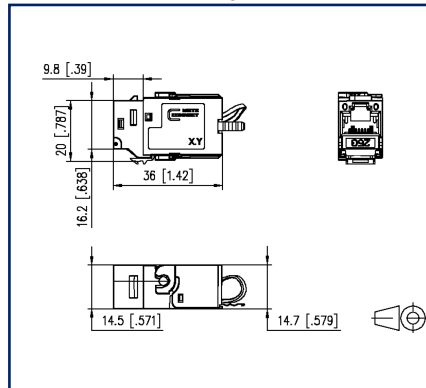


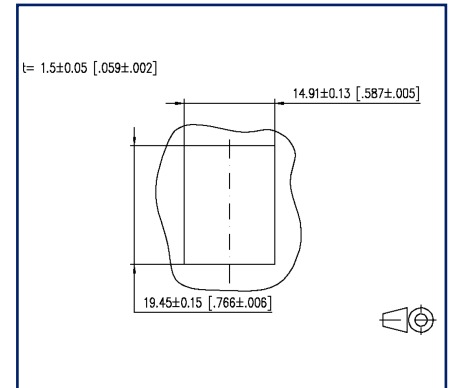
Illustrations



Dimensional drawing



Cut-out



See enlarged drawings at the end of document

Product specification

- certified by GHMT according to ISO/IEC TR-11801-9905 for 25GBASE-T in the Channel-Link with 30 m
- in preparation: ISO/IEC TR-11801-9909 for 25GBASE-T in channel link over 30 m
- completely downward compatible by complying with class E_A according to ISO/IEC 11801-1 and DIN EN 50173-1 (within the permanent link up to 90m, within the permanent link up to 100m)
- RJ45 according to IEC 60603-7-1, 2 mounting versions: module and keystone
- mounting without special tools, low mounting and connection time
- migrating 10G-systems without special tools
- connection of patch- and installations cords is possible for: AWG 26/7 - 22/7 and AWG 26/1 - 22/1
- suitable for 25Gbit/s Ethernet (IEEE 802.3bq) and 10 Gbit/s Ethernet (IEEE 802.3an), Remote Powering (PoE, PoE plus, UPoE and 4PPoE), HDBaseT, SAT-IP and AVoverIP
- solid, reusable module housing refined with zinc die-casting
- intelligent cable management in stuffer caps - also suitable for heavily twisted cables - also easy installation in various applications
- strain relief by latching clip directly on the stuffer cap
- 360°-shield connection
- dust protection cover (optional)



P | Cabling

Data sheet 25Gmodul - Keystone

Page 2/8

P/N
130B21-25-E
EAN 4251394607405
2023/04/05
Version: G

Technical Data

General Data

| | |
|---|-----------------------------------|
| Fields of application | office areas |
| Mechanical measurement according to MICE | M1 |
| Ingress measurement according to MICE | I1 |
| Climatic measurement according to MICE | C1 |
| Electromagnetic measurement according to MICE | E2 |
| Design | Jack |
| Shielding | shielded |
| Transmission technology | Copper |
| Wiring | T568A, T568B |
| Color | metallike |
| Dimensions | |
| Dimension (L x W x H) | 36 mm x 14.7 mm x 20 mm |
| Dimension (L x W x H) | 1.417 in. x 0.579 in. x 0.787 in. |
| Modularity | yes |
| Field assembly ability | yes |
| Marking option | by latching clip |

Transmission characteristics

| | |
|---|----------------|
| Class (ISO/IEC) | E _A |
| Remote Powering | yes |
| PoE | IEEE 802.3af |
| PoE plus | IEEE 802.3at |
| UPoE | yes |
| 4PPoE | IEEE 802.3bt |
| HDBaseT | yes |
| Transmission rate up to 10 GBit | IEEE 802.3an |
| Transmission rate up to 25 GBit (Fast Ethernet) | IEEE 802.3bq |

P | Cabling

Data sheet 25Gmodul - Keystone

Page 3/8

P/N
130B21-25-E
EAN 4251394607405
2023/04/05
Version: G

Technical Data

Connections/interfaces

| | |
|---|---|
| Connector technology interface 1 | IDC-connection |
| Connector technology interface 2 | RJ45-jack |
| Number of ports interface 2 | 1 |
| Number of ports interface 2 equipped | 1 |
| Number of positions/contacts interface 1 | 8 |
| Number of positions/contacts interface 2 | 8P/8C |
| Termination data, solid wire (min. - max.) | |
| Conductor cross section, solid wire | AWG 26/1 - AWG 22/1 |
| Conductor cross section, solid wire | 0.128 mm ² - 0.324 mm ² |
| Conductor diameter, solid wire (bare copper) | 0.409 mm - 0.643 mm |
| Conductor diameter, solid wire (bare copper) | 0.016 in. - 0.025 in. |
| Termination data, stranded wire (min. - max.) | |
| Conductor cross section, stranded wire | AWG 26/7 - AWG 22/7 |
| Conductor cross section, stranded wire | 0.141 mm ² - 0.355 mm ² |
| Conductor diameter, stranded wire (bare copper) | 0.483 mm - 0.762 mm |
| Conductor diameter, stranded wire (bare copper) | 0.019 in. - 0.03 in. |
| Cable access/outlet | 180° |

Electrical characteristics

| | |
|---|----------------|
| Current carrying capacity | max. 1 A |
| Rated voltage | max. 50 V |
| Contact resistance | max. 20 mOhm |
| Through resistance | max. 200 mOhm |
| Insulation resistance | min. 500 MOhm |
| Dielectric strength conductor-conductor (secondary) | max. 1000 V DC |

Mechanical data

| | |
|--|------------------|
| Cut-out | Keystone |
| Mounting method | snap-in function |
| Insertion and withdrawal force | max. 30 N |
| Position/mounting of latch standard installation position | bottom |
| strain relief | latching clip |

P | Cabling

Data sheet 25Gmodul - Keystone

Page 4/8

P/N
130B21-25-E

EAN 4251394607405

2023/04/05

Version: G

Technical Data

Materials and material properties

| | |
|---------------------------|-----------------------|
| Material - Housing | GD-Zn (zinc die-cast) |
| Material - Contact | Spring steel |
| Material - Contact finish | Au (gold) |
| Material - Shield | GD-Zn (zinc die-cast) |
| Material - Stuffer cap | PA 6.6 UL94 V0 |
| Material - Strain relief | PA 6.6 UL94 V0 |
| Halogen free | yes |
| Material - Finish | Ni (nickel) |
| RoHS | compliant |

Environmental conditions

| | |
|-----------------------------|--|
| Rapid change of temperature | -40°C / -40°F - +70°C / 158°F / 25 cycles t=30 min |
|-----------------------------|--|

Certifications

GHMT Type Approval



2 Connector Permanent Link,
Class EA | 2 Connector
Channel Link, 30 m Class 1
up to 1,25 GHz

Approvals

| | |
|----------------------|--------------|
| UL listed (file no.) | DUXR.E178484 |
|----------------------|--------------|

Standards/Regulations

| | |
|---|--|
| Generic cabling systems | |
| General requirements | ANSI/TIA-568-C |
| Office buildings | ISO/IEC 11801 Ed.2.2: 2011-06 DIN EN 50173-2 ANSI/TIA-568-C |
| Living units | ISO/IEC 15018 DIN EN 50173-4 ANSI/TIA-570-B |
| Connectors for electronic equipment - Tests and measurements | |
| Test standard for connectors (engaging and separating connectors under electrical load) | DIN-EN 60512-99-001, DIN-EN 60512-99-002 |
| Endurance tests | IEC 60512-9-3: 03-2009 |
| Interference proof | |
| Immunity for industrial environments | DIN EN 61000-6-2:2006-03 |

P | Cabling

Data sheet 25Gmodul - Keystone

Page 5/8

P/N
130B21-25-E
EAN 4251394607405
2023/04/05
Version: G

Technical Data

Standards/Regulations

Emission proof

| | |
|--|--------------------------|
| Electromagnetic emission for residential, commercial and light-industrial environments | DIN EN 61000-6-3:2011-09 |
|--|--------------------------|

| | |
|---------------|--------------|
| Climate tests | IEC 60512-11 |
|---------------|--------------|

Classifications

| | |
|----------|----------|
| ETIM 7.0 | EC001121 |
|----------|----------|

| | |
|----------|----------|
| ETIM 8.0 | EC001121 |
|----------|----------|

| | |
|----------|----------|
| ETIM 9.0 | EC001121 |
|----------|----------|

Packing details

| | |
|-------------------|----------------|
| Type of packaging | 10 pc(s) / box |
|-------------------|----------------|



P | Cabling

Data sheet 25Gmodul - Keystone

Page 6/8

P/N
130B21-25-E

EAN 4251394607405

2023/04/05

Version: G

Accessories from

| P/N | Designation |
|-----------------|---|
| 130861-0202KE | Keystone surface mount housing 2 port pure white, unequipped |
| 130861-0302KE | Keystone surface mount housing 3 port pure white, unequipped |
| 130861-0402KE | Keystone surface mount housing 4 port pure white, unequipped |
| 130861-0602KE | Keystone surface mount housing 6 port pure white, unequipped |
| 130861-0802KE | Keystone surface mount housing 8 port pure white, unequipped |
| 130861-0802KE85 | AP Patchfeld unbestückt für 8xRJ45 RAL 9010 Keystone AP-Geh 8 Port ZATEC |
| 130861-1202KE | Keystone surface mount housing 12 port pure white, unequipped |
| 130861-1602KE | Keystone surface mount housing 16 port pure white, unequipped |
| 130861-2402KE | Keystone surface mount housing 2x12 port pure white, unequipped |
| 130910D1APLKE | Extension box APZ 1 port E-DAT modul Keystone |
| 130910D2APLKE | Extension box APZ 2 port E-DAT modul keystone |
| 130920-00KE | Keystone 19 inch module frame 1RU 24 port light gray unequipped, shielded |
| 130920-BKKE | Keystone 19 inch module frame 1RU 24 port black unequipped, shielded |
| 130926-0029KE | Keystone 19 inch module frame 1RU 24 port black unequipped, shielded |
| 130926A0003KE | Keystone 19 inch module frame 1RU 24 port angeled grey unequipped, shielded |
| 130926A0029KE | Keystone 19 inch module frame 1RU 24 port angeled black unequipped, shielded |
| 130926AA029KE | Keystone 19 inch module frame 1RU 24 ports 133° angled, black, unequipped, shielded |
| 130927-1200KE | SmartConnect Patchpanel 12 port Keystone, unequipped |
| 1309428103-E | Keystone REGplus IP20 light gray unequipped |
| 1309A0D1APLKE | Extension box APZ, 1 port, E-DAT coupler |
| 1309A0D2APLKE | Extension box APZ, 2 port, E-DAT coupler |
| 130B20E2E-E | Keystone module frame 3RU, 7HP 6 port stainless steel unequipped |
| 130B21D1APL-E | Extension box APZ 1 port C6 _A modul Keystone |
| 130B21D2APL-E | Extension box APZ 2 port C6 _A modul Keystone |
| 130D2CKU4-E | DCCS2 subassembly 4 port unequipped - Keystone |
| 14040000-E | MCO IP69k protective housing for outdoor use, set for exposed installation |
| 14040010-E | MCO IP69k Protective housing for outdoor use, set with mounting bracket |

P | Cabling

Data sheet 25Gmodul - Keystone

Page 7/8

P/N
130B21-25-E

EAN 4251394607405

2023/04/05

Version: G

Accessories from

14040100-E

MCO IP69k Protective housing for outdoor use,
set wall/ housing bushing

P | Cabling

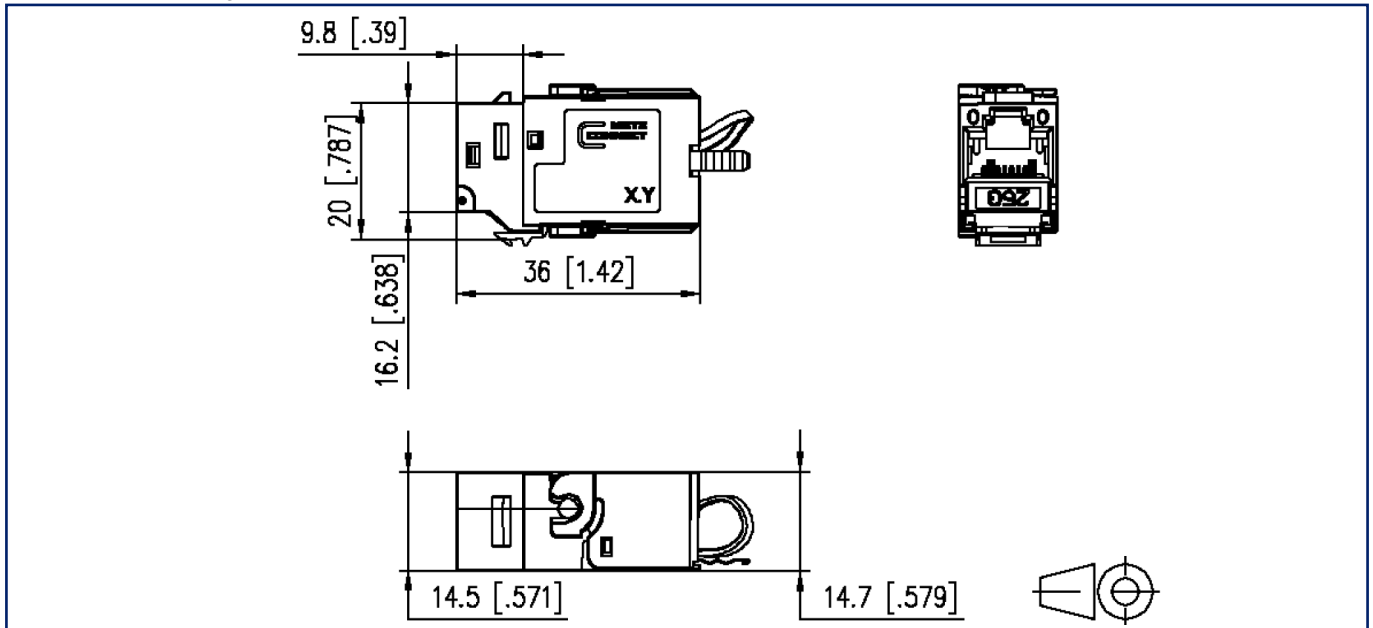
Data sheet 25Gmodul - Keystone

Page 8/8

P/N
130B21-25-E
EAN 4251394607405
2023/04/05
Version: G

Illustrations

Dimensional drawing



Cut-out

