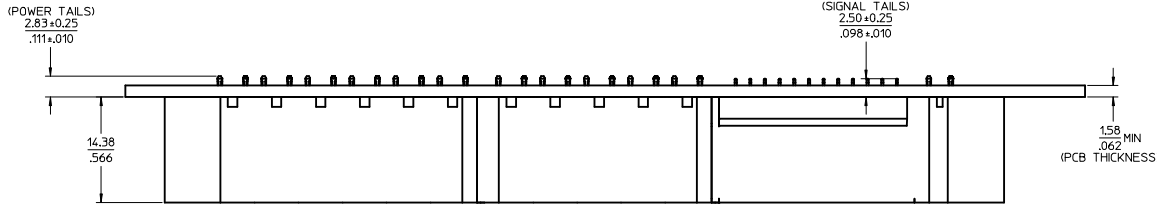
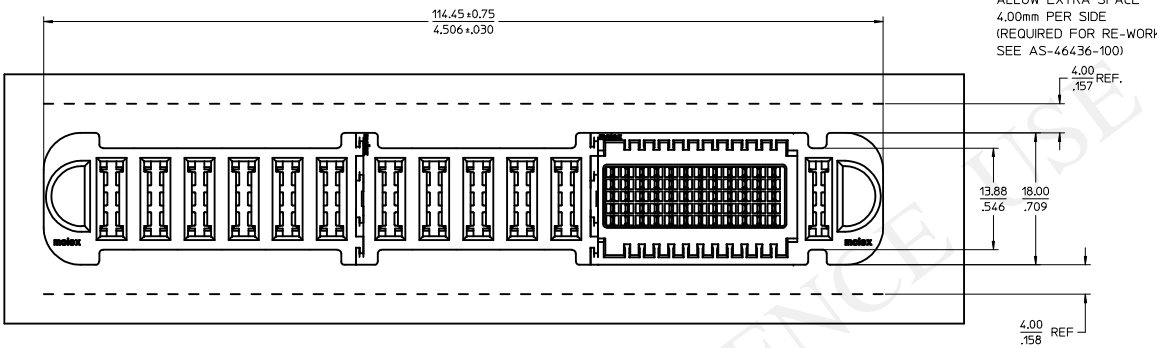
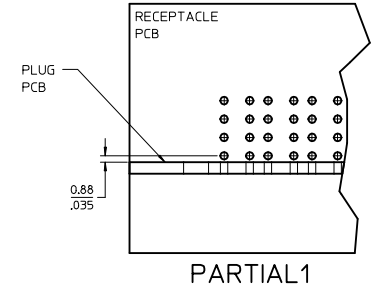
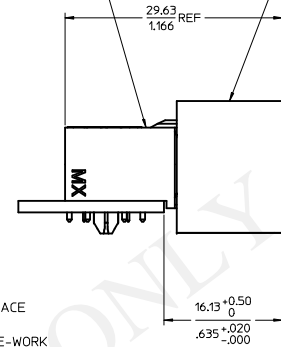


3D MODEL NO.: TM-171088-0023

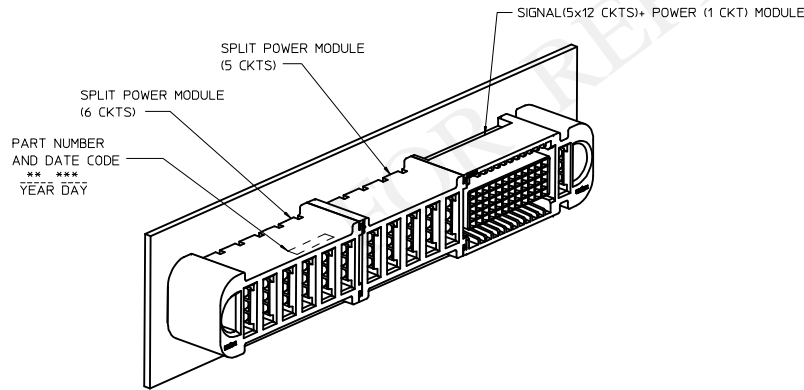


PLUG ASSY
P/N:171088-0023

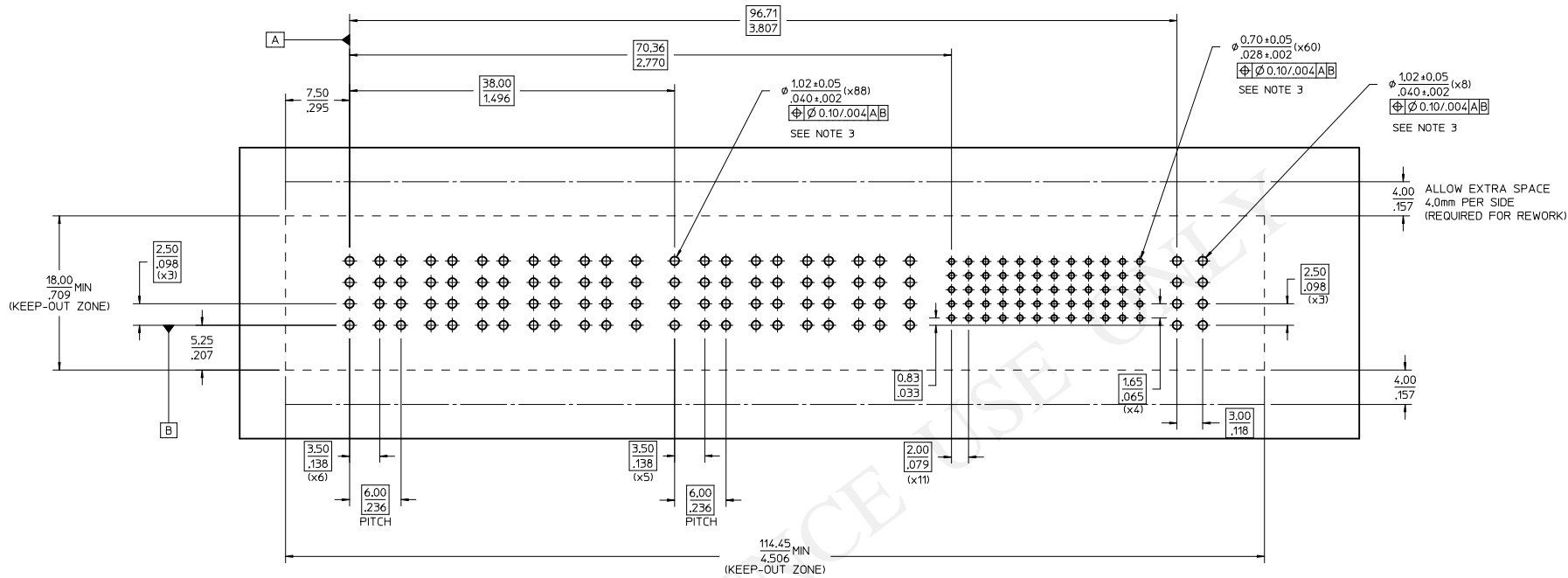
VERT. RECEPTACLE ASSY
P/N:171089-0023



- NOTES:
- MATERIAL:
-HOUSINGS: LCP UL94, V-0, COLOR: BLACK.
-TERMINALS: COPPER ALLOY.
-PLATING: 127 MICROMETER (50 MICROINCH) NICKEL OVERALL
WITH 254 MICROMETER (100 MICROINCH) SELECTIVE TIN ON TAILS
AND 0.762 MICROMETER (.30 MICROINCH) SELECTIVE GOLD ON CONTACT AREA
 - PACKAGING: ASSEMBLIES TO BE TRAY PACKED PER PACKAGING SPEC PK-171089-0001
 - PLATED THRU HOLE SIZE REFERS TO PS-171088-0000 FOR DETAILS
 - PRODUCT SPEC: PS-171088-0000
 - APPLICATION SPEC: AS-46436-100
 - SEE PRODUCT SPEC FOR ROHS REQUIREMENTS
 - ASSEMBLY MATES TO MOLEX PLUG ASSEMBLY P/N 171088-0023
 - TAIL DESIGN: COMPLIANT PIN
 - POWER AND SIGNAL CONTACTS ARE LUBRICATED.



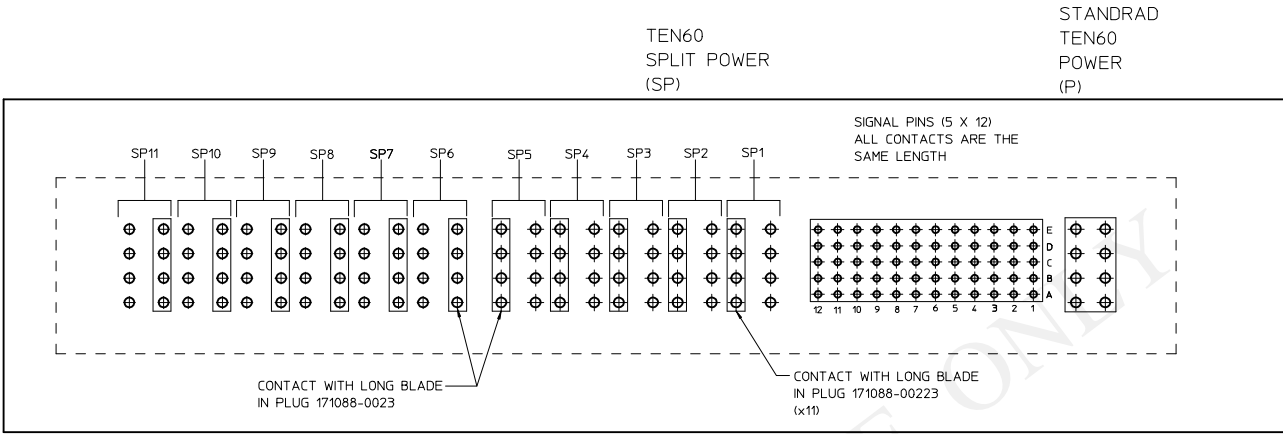
REVISE NOTE EC NO: UCP2016-1405 CHKO:JULIN 2015/09/30 APPR:JULIN 2015/09/30 DESCRIPTION	QUALITY SYMBOLS	GENERAL TOLERANCES (UNLESS SPECIFIED)	DIMENSION STYLE	SCALE	DESIGN UNITS	THIRD ANGLE PROJECTION	
	▽=0	mm INCH	MM/MIN	3:1	METRIC		
	▽=0	4 PLACES ±.005 ±.005	DRAWN BY DATE			TITLE	
	▽=0	3 PLACES ±.013 ±.013	CHECKED BY DATE			TEN60 SPLIT POWER VERT ASSY G-1P-60S-5SP-6SP-G	
▽=0	1 PLACE ±0.25 ±.005	APPROVED BY DATE				molex	
	0 PLACE ±.005 ±.005	MATERIAL NO.				SHEET NO.	
	ANGULAR ±1/2°	171089-0023				1 OF 3	
	DRAFT WHERE APPLICABLE MUST REMAIN WITHIN DIMENSIONS	DOCUMENT NO.					
		SD-171089-0023					
		THIS DRAWING CONTAINS INFORMATION THAT IS PROPRIETARY TO MOLEX INCORPORATED AND SHOULD NOT BE USED WITHOUT WRITTEN PERMISSION					



RECOMMENDED PCB LAYOUT AND KEEP OUT ZONE
(SEE SHEET 3 FOR PIN ASSIGNMENT)

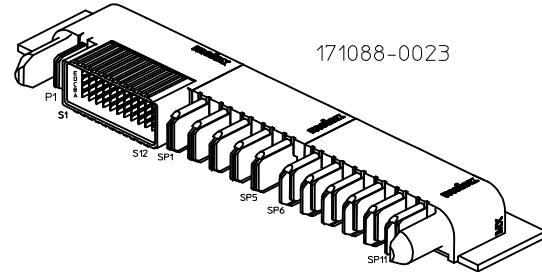
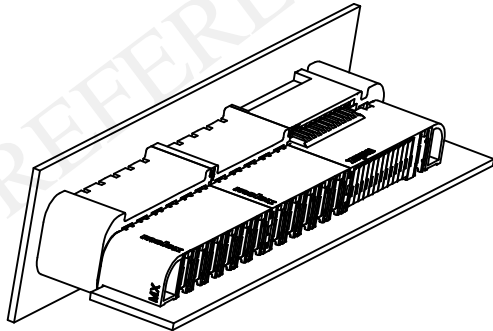
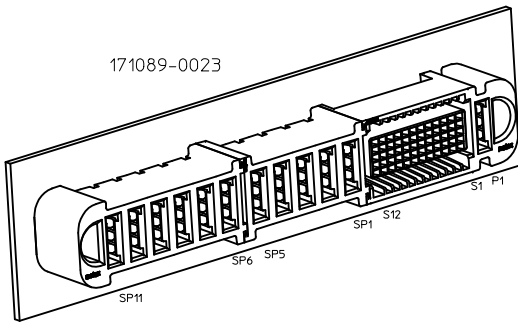
FOR REFERENCE ONLY

ENTER DESCRIPTION IEC NO. UCP2016-1405 DRAWN: JUILLES 2015/09/30 CHECKED: LIN 2015/09/30 APPR: JUILLES 2015/09/30 REV: DESCRIPTION	QUALITY SYMBOLS	GENERAL TOLERANCES (UNLESS SPECIFIED)	DIMENSION STYLE	SCALE	DESIGN UNITS	THIRD ANGLE PROJECTION
	▽=0	4 PLACES ± --- ± ---	MM/IN	4:1	METRIC	☉
	▽=0	3 PLACES ± --- ± ---				
	▽=0	2 PLACES ± 0.13 ± ---				
		1 PLACE ± 0.25 ± ---				
		0 PLACE ± --- ± ---				
		ANGULAR ±1/2°				
		DRAFT WHERE APPLICABLE MUST REMAIN WITHIN DIMENSIONS				
			MATERIAL NO.	DOCUMENT NO.		
			171089-0023	SD-171089-0023		
						SHEET NO. 2 OF 3
			THIS DRAWING CONTAINS INFORMATION THAT IS PROPRIETARY TO MOLEX INCORPORATED AND SHOULD NOT BE USED WITHOUT WRITTEN PERMISSION			



PCB PIN ASSIGNMENT

PLEASE ALSO REFER TO PLUG DRAWING
P/N: 171088-0023



<p>SEE SHEET 1</p> <p>EC NO: UCP2016-1405</p> <p>DRW: JUILLES 2015/09/30</p> <p>CHK: YLIN 2015/09/30</p> <p>APP: JUILLES 2015/09/30</p>	<p>QUALITY SYMBOLS</p> <p>▽=0</p> <p>▽=0</p> <p>▽=0</p>	GENERAL TOLERANCES (UNLESS SPECIFIED)		DIMENSION STYLE	SCALE	DESIGN UNITS	THIRD ANGLE PROJECTION	
		mm	INCH	MM/IN	4:1	METRIC		
		4 PLACES ± ---	± ---	VL IN	DATE	TEN60 SPLIT POWER VERT ASSY G-1P-60S-5SP-6SP-G molex		
		3 PLACES ± ---	± ---	CHECKED BY	DATE			
2 PLACES ± 0.13	± ---	APPROVED BY	DATE	MATERIAL NO.	DOCUMENT NO.	SHEET NO. 3 OF 3		
1 PLACE ± 0.25	± ---	VL IN	DATE	171089-0023	SD-171089-0023			
0 PLACE ± ---	± ---	ANGULAR ±1/2°		THIS DRAWING CONTAINS INFORMATION THAT IS PROPRIETARY TO MOLEX INCORPORATED AND SHOULD NOT BE USED WITHOUT WRITTEN PERMISSION				
DRAFT WHERE APPLICABLE MUST REMAIN WITHIN DIMENSIONS		SIZE						