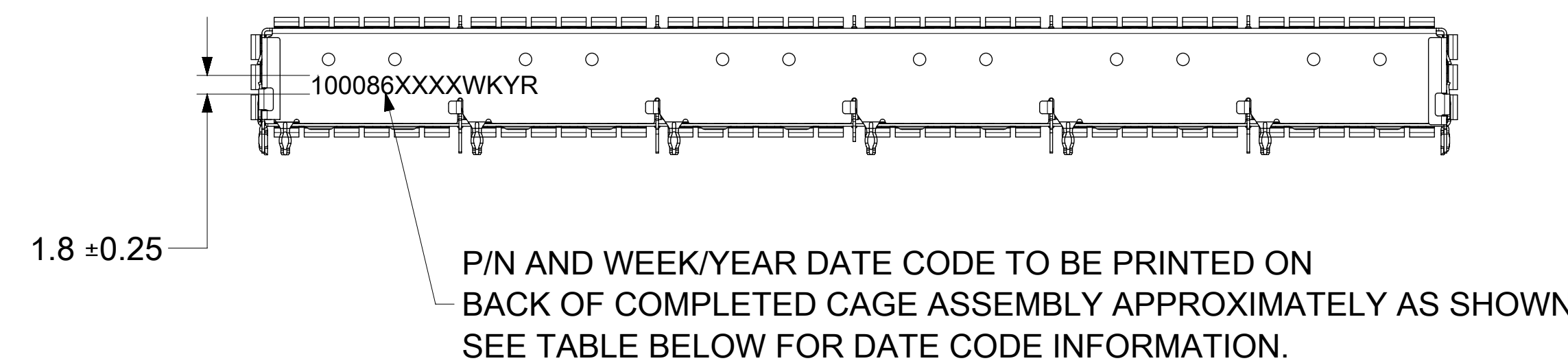
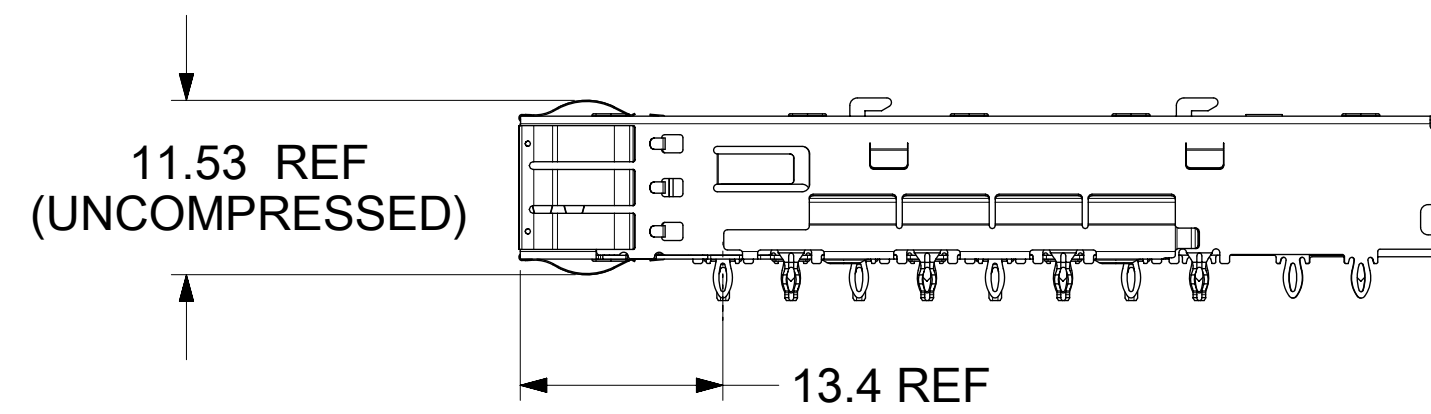
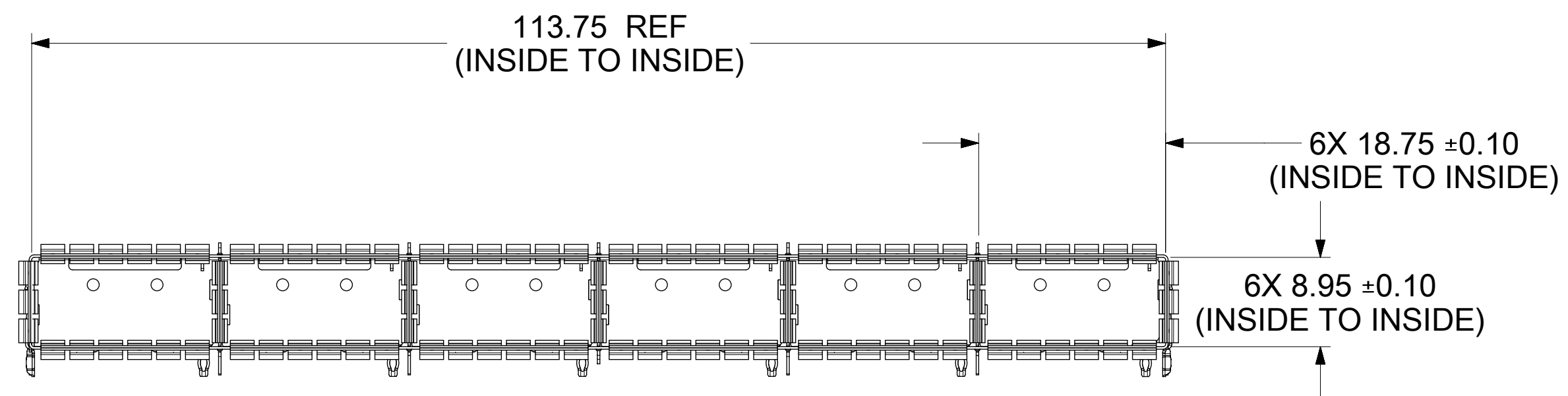
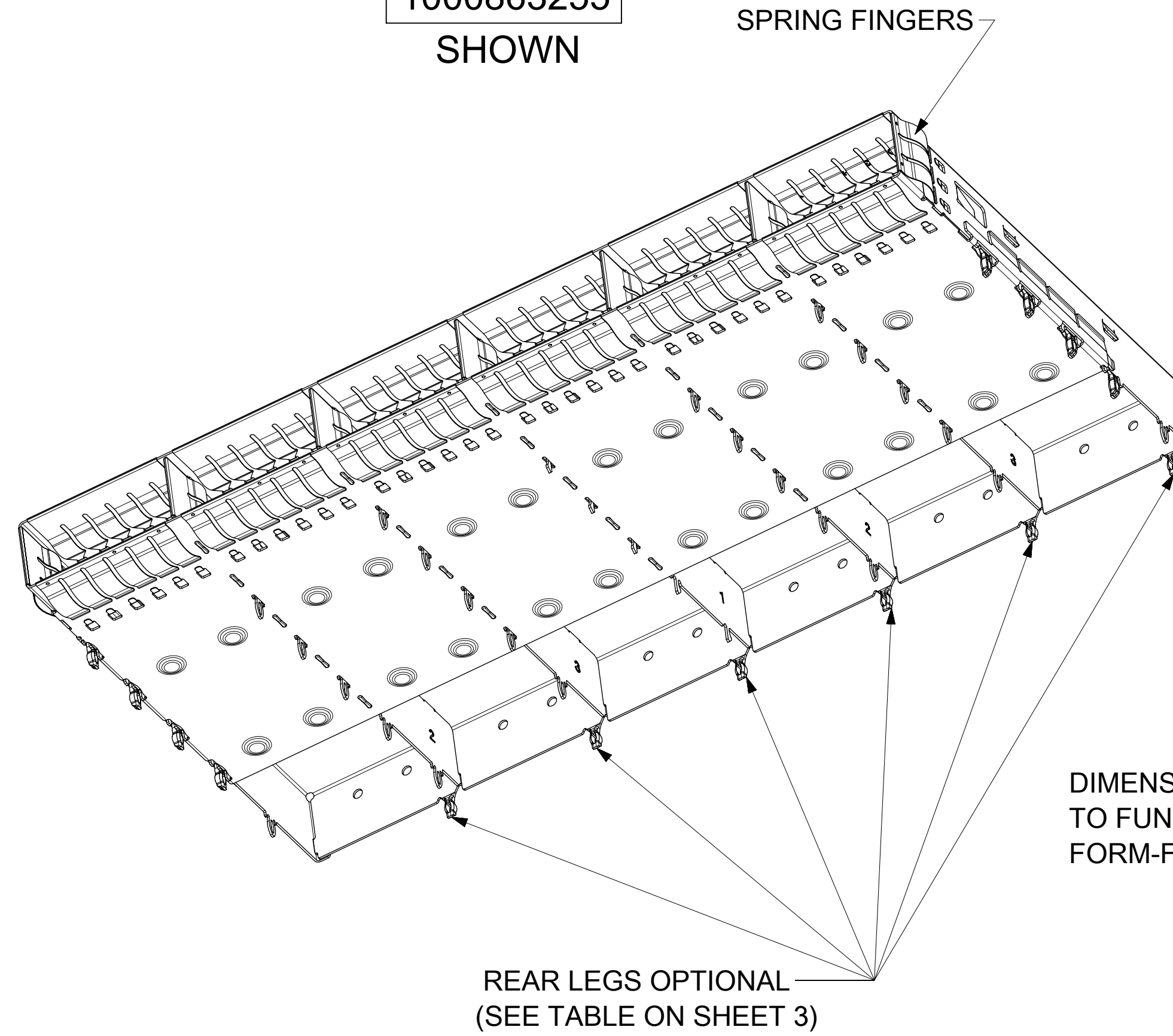
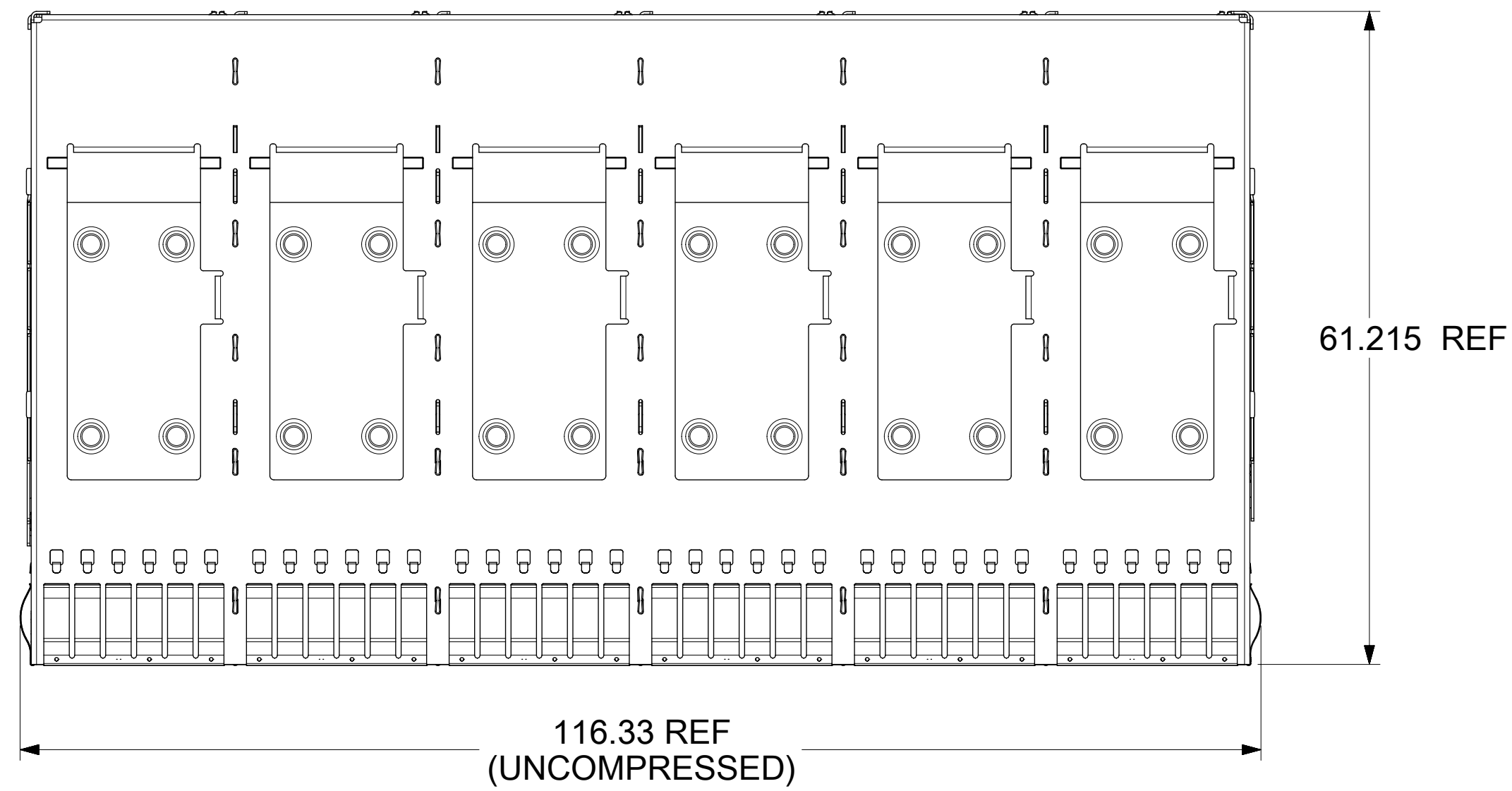


BASE CAGE DETAILS

1000863255
SHOWN



- NOTES:
- MATERIAL: CAGE: STAINLESS STEEL
CENTER WALLS: STAINLESS STEEL
SPRING FINGERS: STAINLESS STEEL
HEAT SINKS: NICKEL PLATED ALUMINUM
HEAT SINK CLIP: STAINLESS STEEL
LIGHT PIPES: POLYCARBONATE (UL 94-V-0)
 - DIMENSIONS MARKED ∇ ARE CRITICAL TO FUNCTION OF THE PART AND MUST BE INSPECTED
 - DRAWING APPLIES TO ALL P/N'S SHOWN ON PAGE 3
 - DURING INCOMING INSPECTION, CAGE LEG LOCATIONS AND STRAIGHTNESS MUST BE CHECKED USING APPROPRIATE GO - NO GO GAGE
 - DURING INCOMING INSPECTION, CAGE MUST BE INSPECTED TO MAKE SURE LEG CONFIGURATIONS AND PART NUMBERS ARE CORRECT, USE SHEETS 3, 4 AND 5
 - PARTS TO BE INSPECTED PER MOLEX COSMETIC SPEC WI-HP-7-2774 (CLASS B UNLESS OTHERWISE SPECIFIED)
 - PRESS-FIT LEGS 2.44 LONG -
1.57 MINIMUM PCB THICKNESS FOR SINGLE SIDED USE.
3.00 MINIMUM PCB THICKNESS FOR BELLY TO BELLY USE.
 - NO RoHS EXEMPTIONS
 - WELD SPOTS MAY SHOW SLIGHT MATERIAL DISCOLORATION

WEEK/YEAR DATE CODE TABLE	
WK	WEEK OF THE YEAR 01 THRU 52 (EXAMPLE: 01= FIRST WEEK OF YEAR 52= LAST WEEK OF YEAR)
YR	18, 19, 20 ETC.. (EXAMPLE: YEAR 2022= 18)

SYMBOLS	THIS DRAWING CONTAINS INFORMATION THAT IS PROPRIETARY TO MOLEX ELECTRONIC TECHNOLOGIES, LLC AND SHOULD NOT BE USED WITHOUT WRITTEN PERMISSION		CURRENT REV DESC: SEE REVISION TABLE	
	DIMENSION UNITS	SCALE		
∇ = 0	mm	2:1		
∇ = 0	GENERAL TOLERANCES (UNLESS SPECIFIED)			
∇ = 0	ANGULAR TOL	± 2.0°		
∇ = 0	4 PLACES	±		
∇ = 0	3 PLACES	±		
∇ = 0	2 PLACES	± 0.13		
∇ = 0	1 PLACE	± 0.25		
∇ = 0	0 PLACES	±		
∇ = 0	DRAFT WHERE APPLICABLE MUST REMAIN WITHIN DIMENSIONS	THIRD ANGLE PROJECTION	DRAWING	SERIES
			D-SIZE	100086
		MATERIAL NUMBER		CUSTOMER
		SEE P/N TABLE		GENERAL MARKET
		DOCUMENT NUMBER		DOC TYPE
		1000863200		PSD
		DOC PART		AS Y
		REVISION		A
DOCUMENT STATUS		P1	RELEASE DATE	2022/03/17 02:54:30
		SHEET NUMBER		1 OF 7

molex

1X6 ZQSFP+ GANGED CAGE, W/ SUS TAB TYPE
SPRING FINGER, H/S & L/P OPTIONS

PRODUCT CUSTOMER DRAWING

DOCUMENT NUMBER: 1000863200

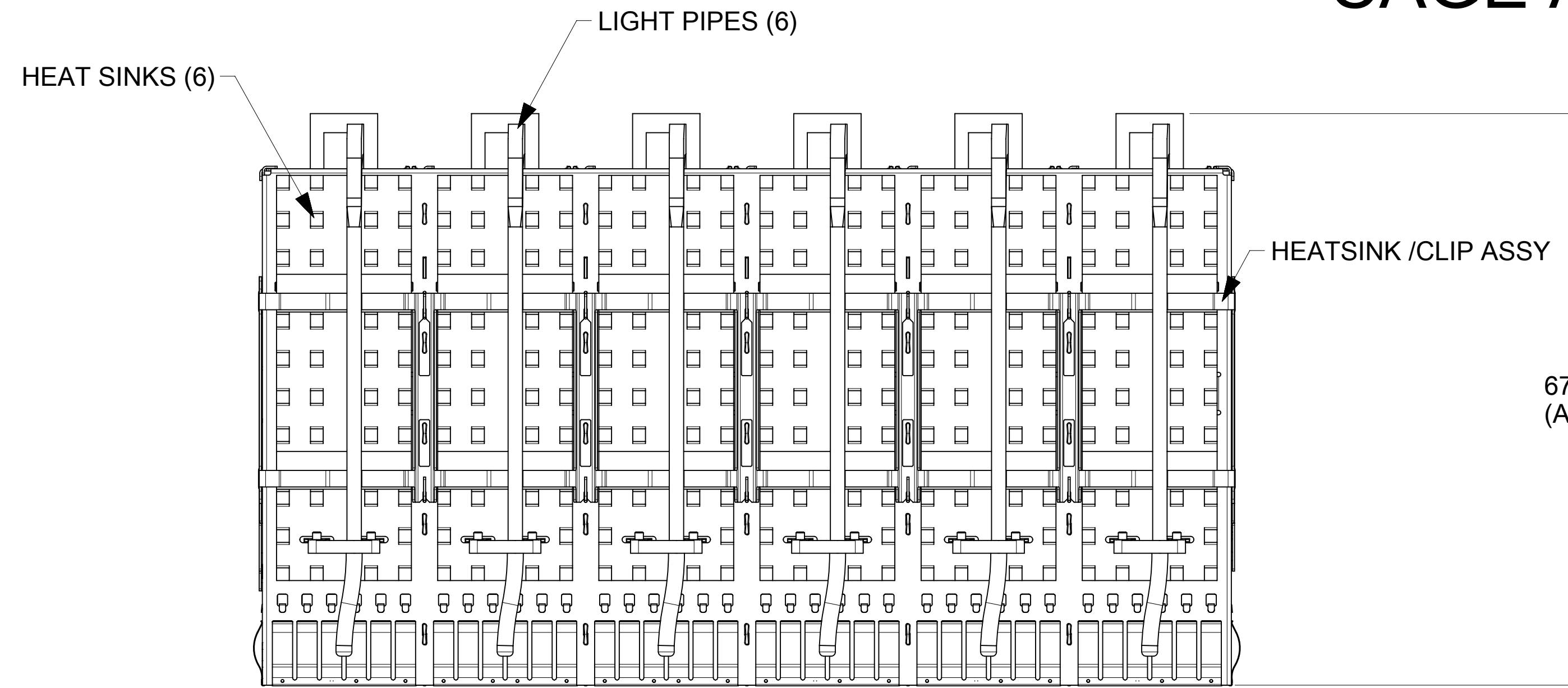
MATERIAL NUMBER: 100086

CUSTOMER: GENERAL MARKET

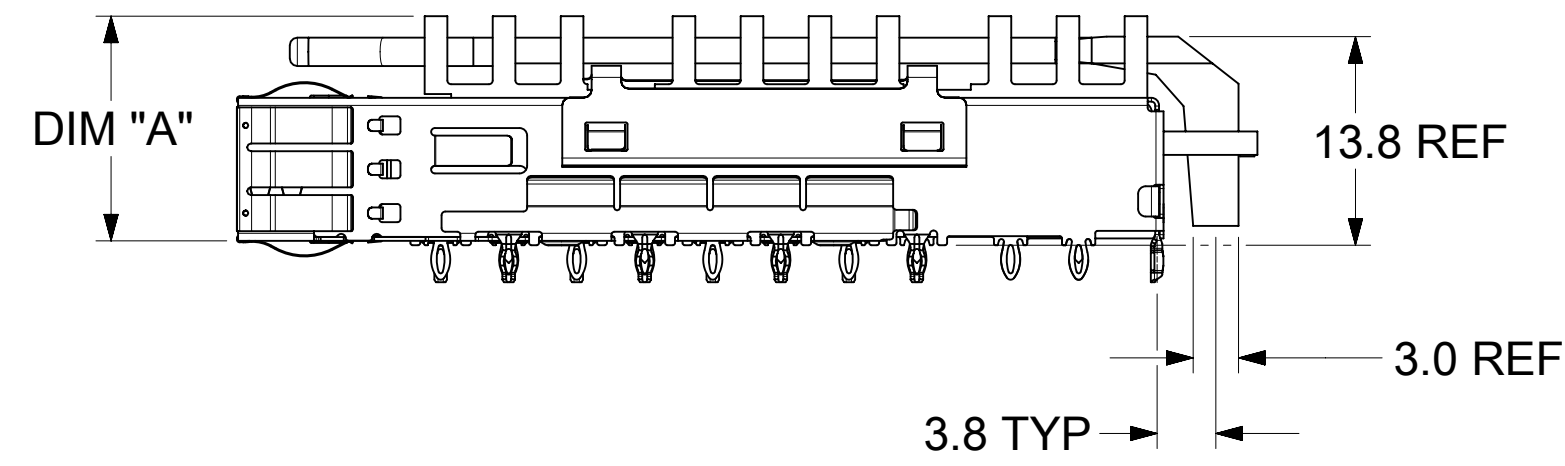
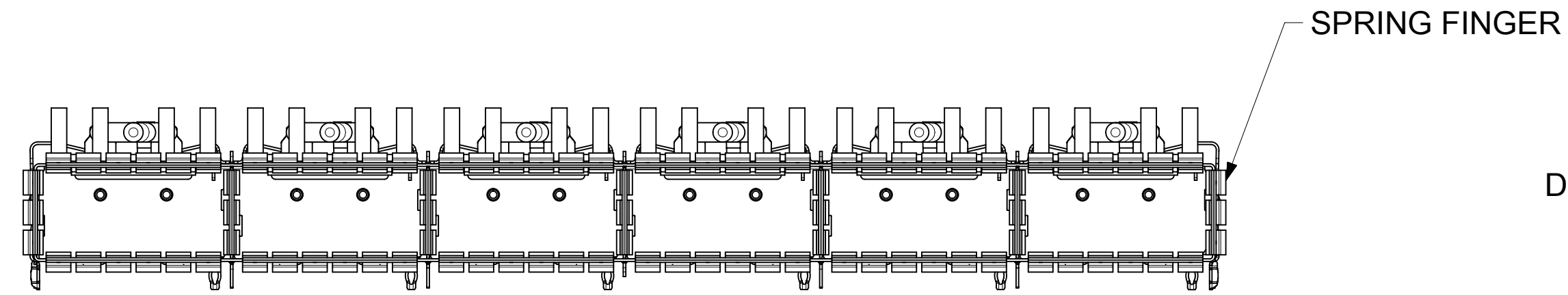
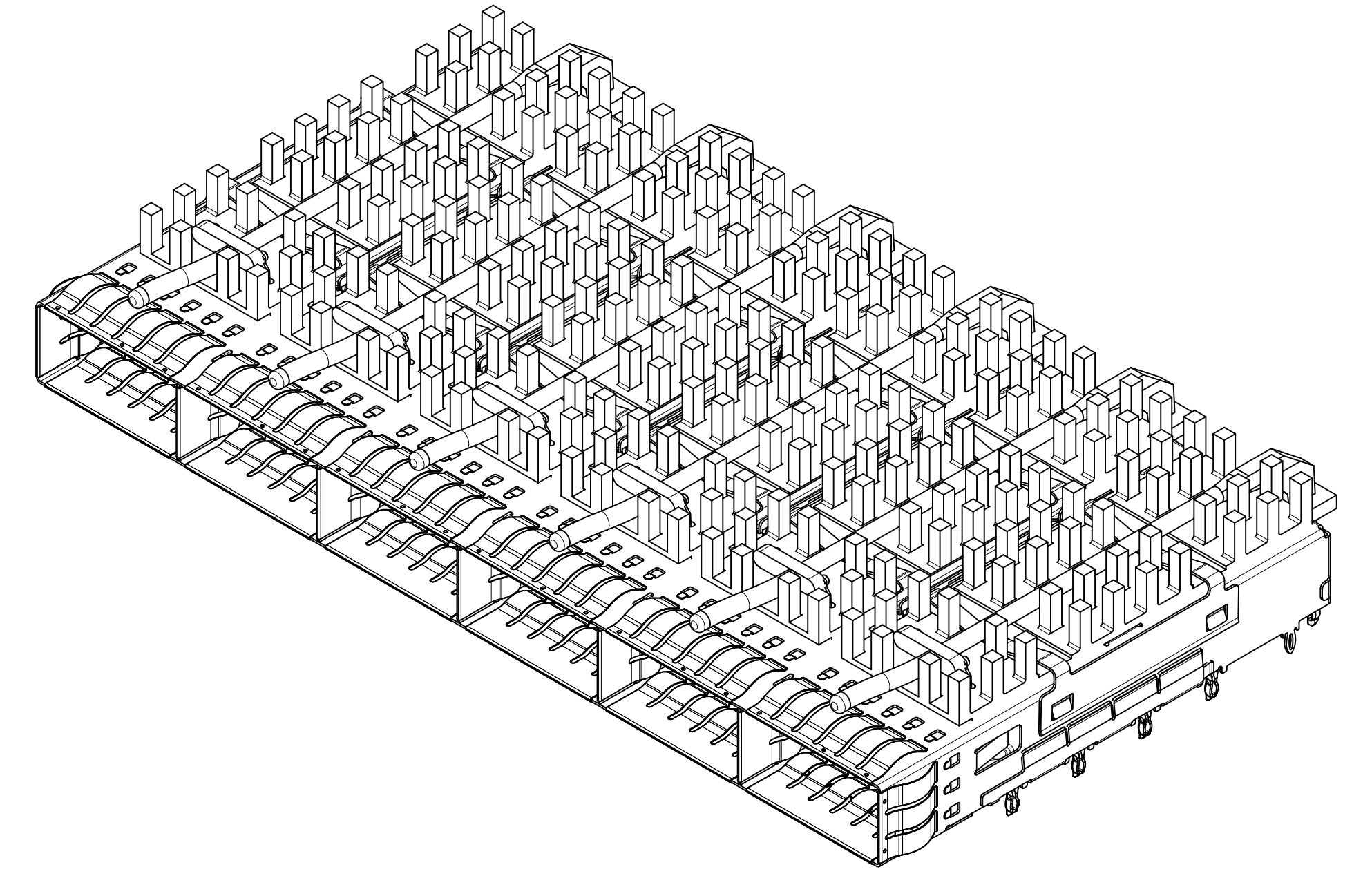
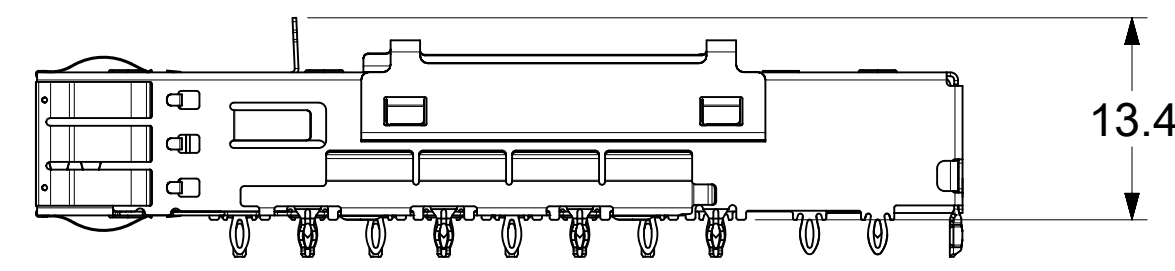
CAGE ASSEMBLY OPTIONS

1000869541

SHOWN

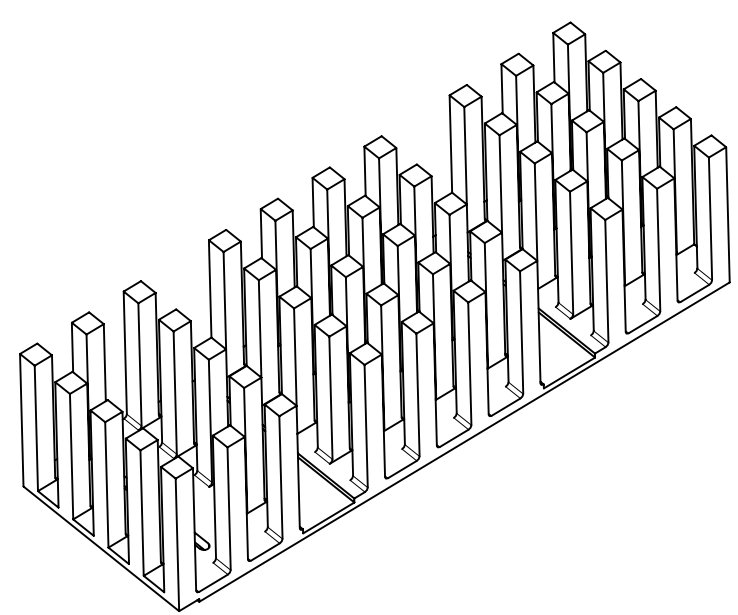


67.43 REF(6)
(APPLIES TO ALL L/P APPLICATIONS)

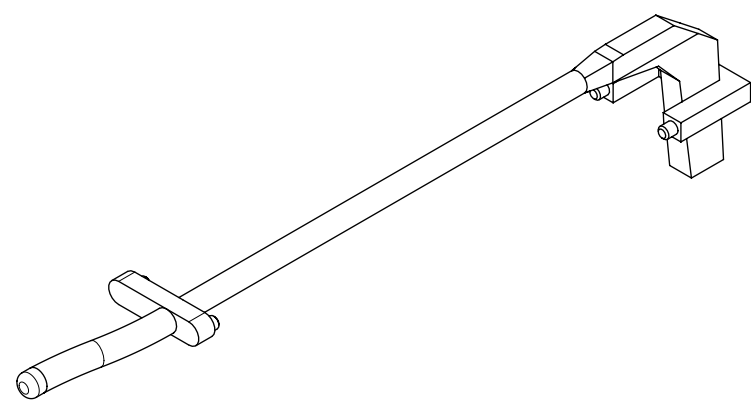


HEATSINK AND LIGHT PIPE COMBINATIONS

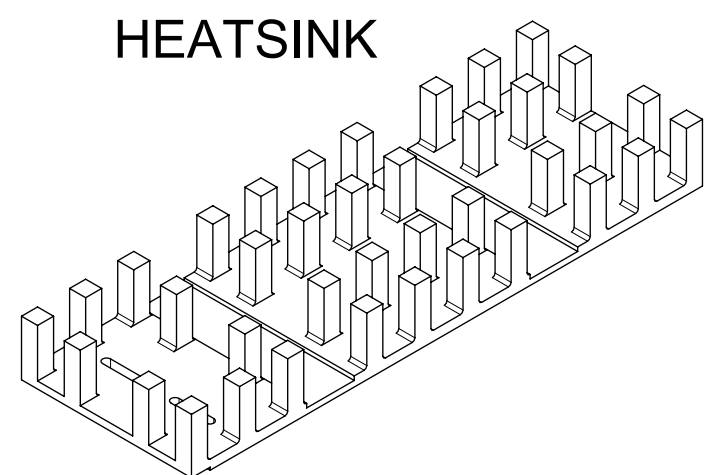
HEATSINK
USED
WITHOUT
LIGHTPIPE



SINGLE LIGHT PIPE



HEATSINK

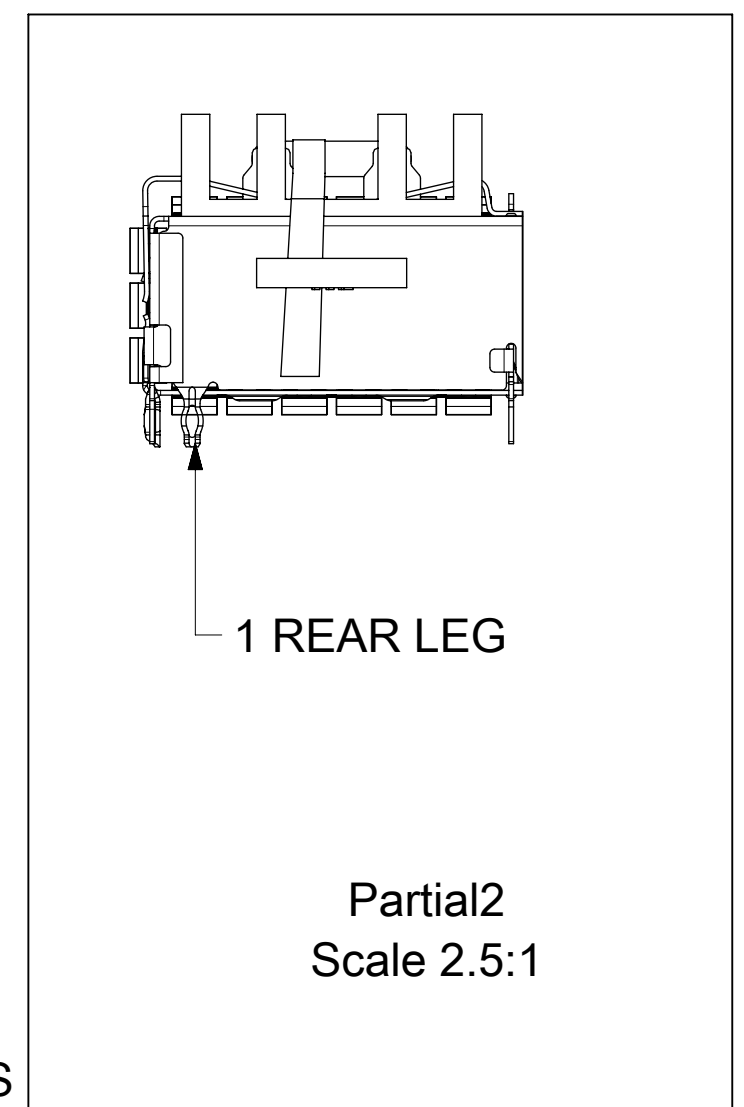


HEATSINK HEIGHT OPTIONS

OVERALL HEAT SINK HEIGHT	DIM "A"
PCI	13.7 REF
SAN	16.0 REF
NET	23.0 REF

HEIGHT OF HEAT SINK WITH MODULE INSERTED.
DIMENSION MAY BE LESS DUE TO MODULE AND HEAT SINK VARIATIONS

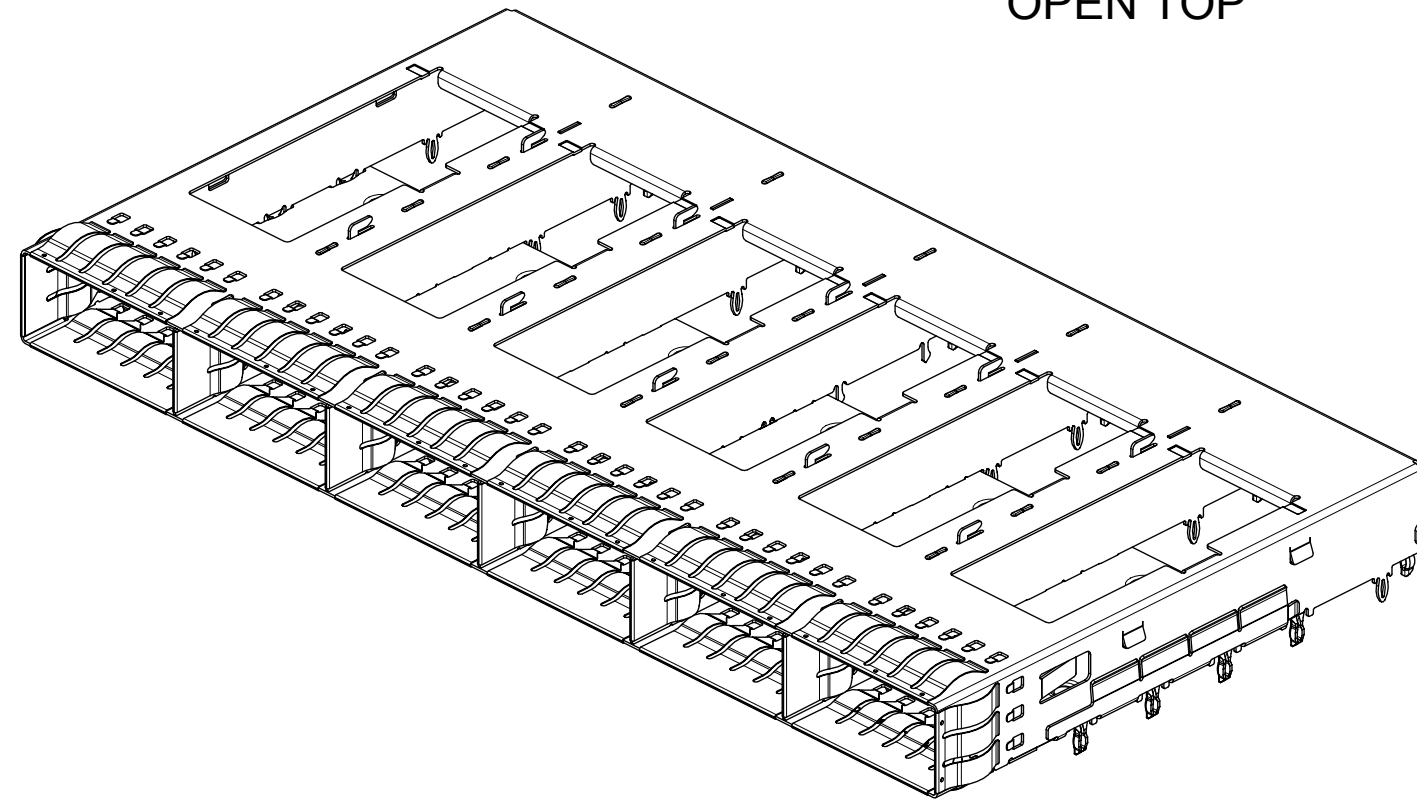
REAR LEG OPTIONS



SYMBOLS	THIS DRAWING CONTAINS INFORMATION THAT IS PROPRIETARY TO MOLEX ELECTRONIC TECHNOLOGIES, LLC AND SHOULD NOT BE USED WITHOUT WRITTEN PERMISSION		CURRENT REV DESC: SEE REVISION TABLE	
DIMENSION UNITS	SCALE			
= 0	mm	2:1		
= 0	GENERAL TOLERANCES (UNLESS SPECIFIED)			
= 0	ANGULAR TOL ± 2.0°			
= 0	4 PLACES	±	EC NO: 698881	
= 0	3 PLACES	±	DRWN: SHIVAA4 2022/02/17	
= 0	2 PLACES	± 0.13	CHK'D: TKUMARKC 2022/03/10	
= 0	1 PLACE	± 0.25	APPR: JCHIANG 2022/03/17	
= 0	0 PLACES	±	INITIAL REVISION:	
= 0	DRAFT WHERE APPLICABLE MUST REMAIN WITHIN DIMENSIONS		DRWN: SHIVAA4 2022/02/17	2022/03/17
= 0	THIRD ANGLE PROJECTION		APPR: JCHIANG	
		DRAWING	SERIES	
			D-SIZE	100086
		MATERIAL NUMBER		CUSTOMER
		SEE P/N TABLE		GENERAL MARKET
		DOCUMENT NUMBER		DOC TYPE
		1000863200		ASSEMBLY
		DOC PART		REVISION
		PSD		A
		SHEET NUMBER		
		2 OF 7		

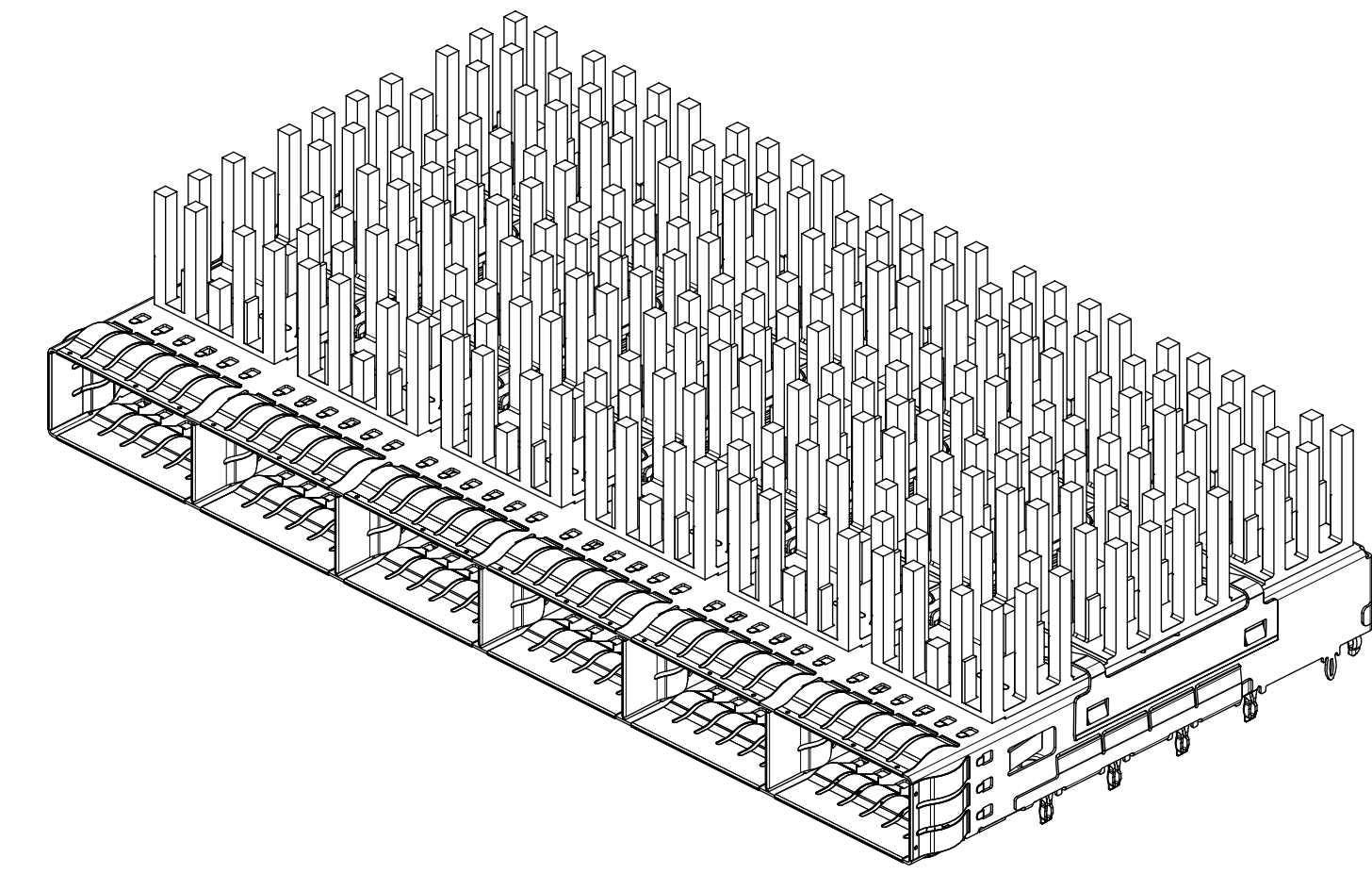
PART NUMBER SELECTION

NO HEATSINKS
NO LIGHT PIPES
OPEN TOP



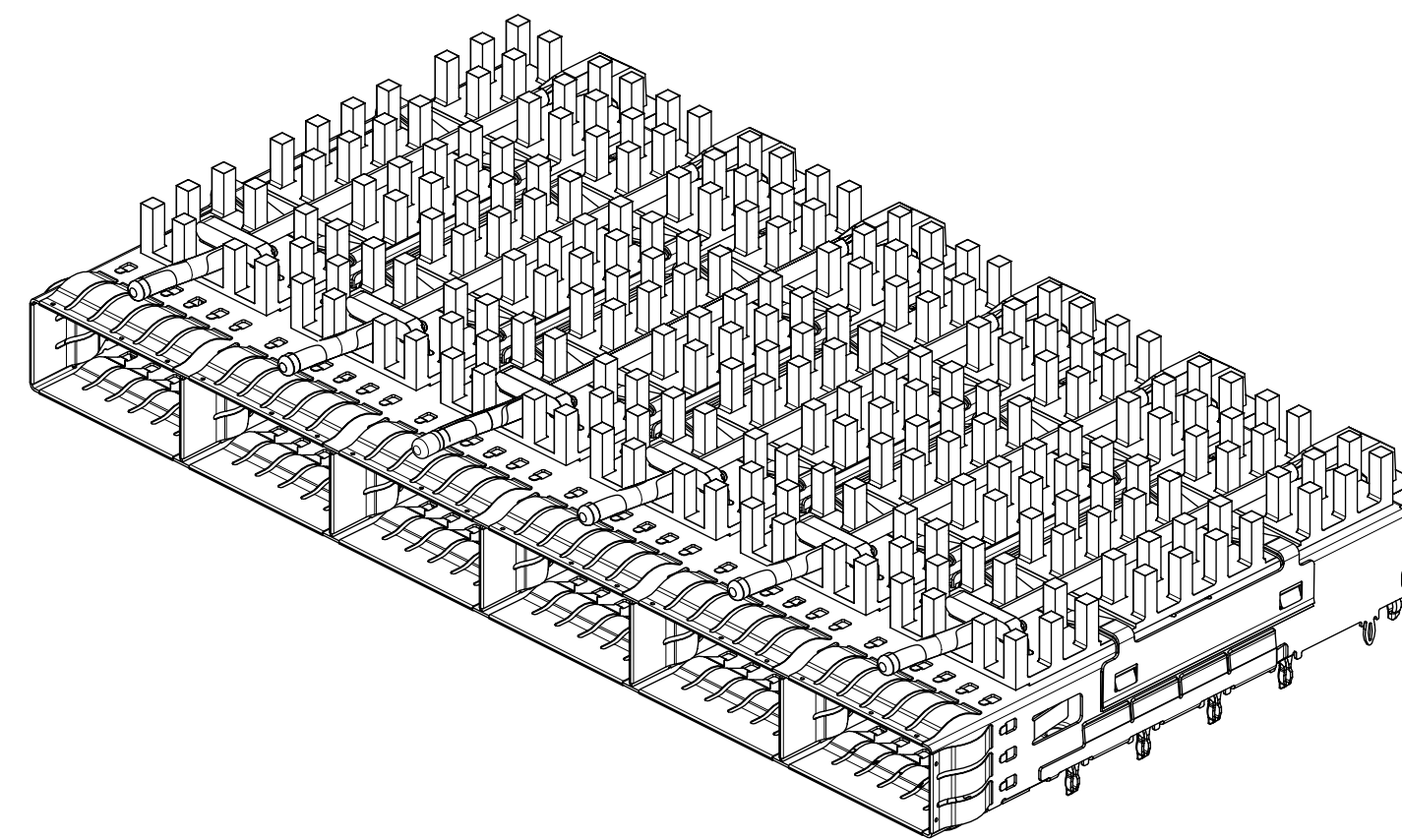
MOLEX P/N W/ SPRING FINGERS	# OF REAR LEGS PER PORT	LIGHT PIPE FEATURE
1000863255	1	NO

WITH HEATSINKS
NO LIGHT PIPES



MOLEX P/N	HEATSINKS	# OF REAR LEGS PER PORT
1000863345	NET	1

WITH HEATSINKS
SINGLE LIGHT PIPES

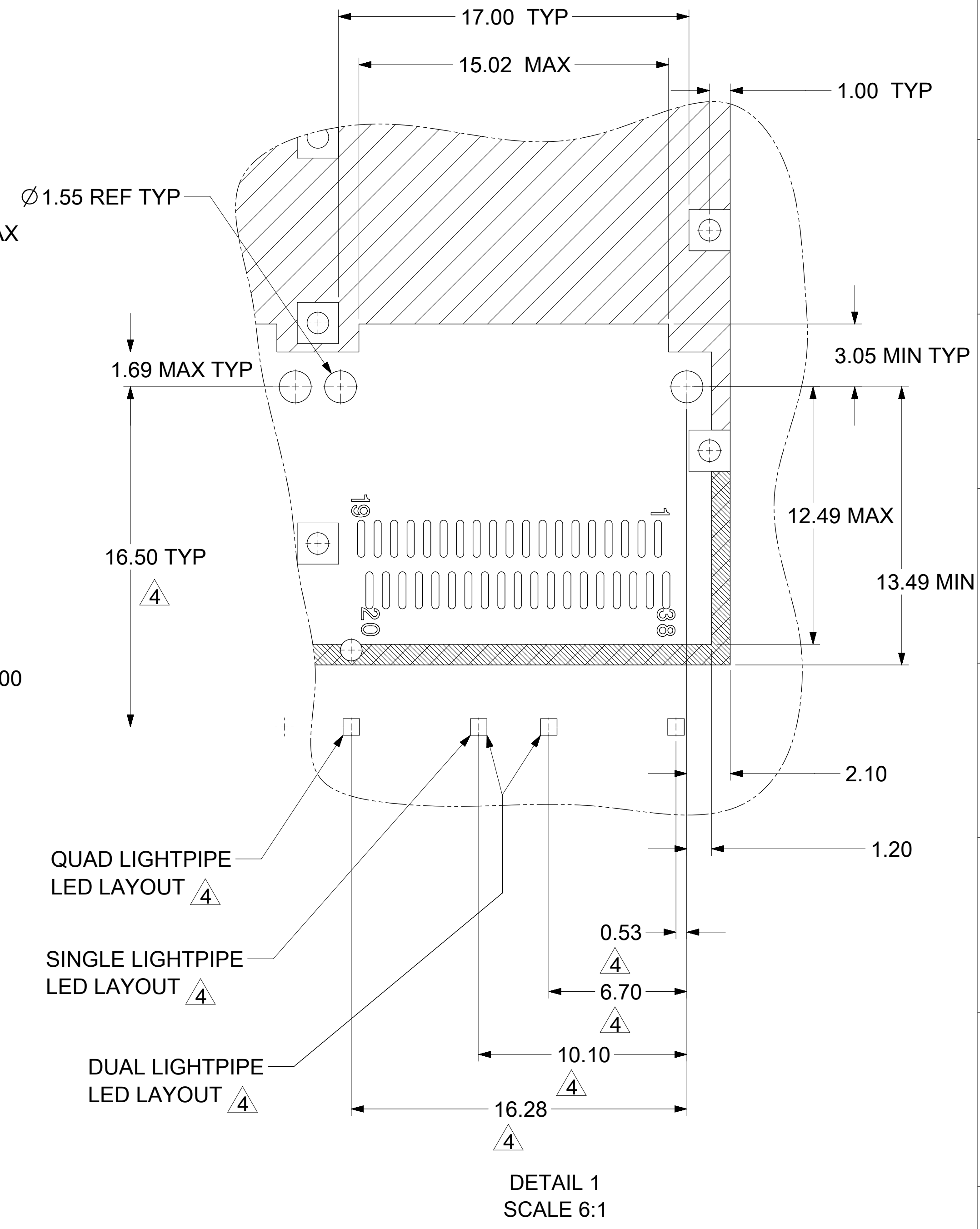
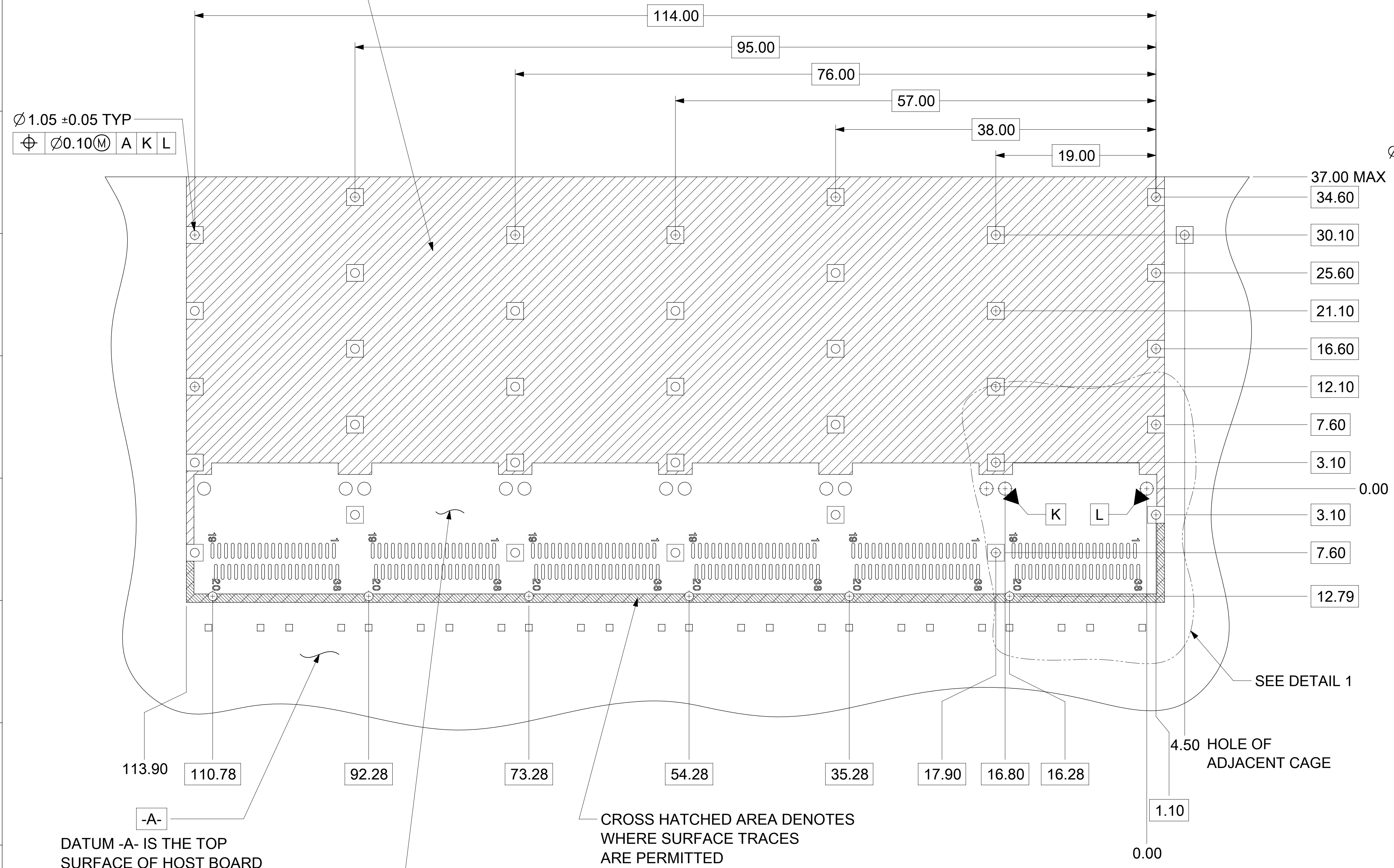


MOLEX P/N	LIGHTPIPES	HEATSINKS	#OF REAR LEGS PER PORT
1000869541	SINGLE	SAN	1

SYMBOLS	THIS DRAWING CONTAINS INFORMATION THAT IS PROPRIETARY TO MOLEX ELECTRONIC TECHNOLOGIES, LLC AND SHOULD NOT BE USED WITHOUT WRITTEN PERMISSION		CURRENT REV DESC: SEE REVISION TABLE			
	DIMENSION UNITS	SCALE				
▽ = 0	mm	1.5:1	EC NO: 698881 DRWN: SHIVAA4 2022/02/17 CHK'D: TKUMARKC 2022/03/10 APPR: JCHIANG 2022/03/17 INITIAL REVISION: DRWN: SHIVAA4 2022/02/17 APPR: JCHIANG 2022/03/17		1X6 ZQSFP+ GANGED CAGE, W/ SUS TAB TYPE SPRING FINGER, H/S & L/P OPTIONS	
▽ = 0	GENERAL TOLERANCES (UNLESS SPECIFIED)					
▽ = 0	ANGULAR TOL ± 2.0°				PRODUCT CUSTOMER DRAWING DOCUMENT NUMBER: 1000863200 DOC TYPE: PSD DOC PART: ASY REVISION: A	
▽ = 0	4 PLACES	±				
▽ = 0	3 PLACES	±				
▽ = 0	2 PLACES	± 0.13	MATERIAL NUMBER: 100086 CUSTOMER: GENERAL MARKET		SHEET NUMBER: 3 OF 7	
▽ = 0	1 PLACE	± 0.25				
▽ = 0	0 PLACES	±	DRAFT WHERE APPLICABLE MUST REMAIN WITHIN DIMENSIONS		THIRD ANGLE PROJECTION	
▽ = 0	DRAFT WHERE APPLICABLE MUST REMAIN WITHIN DIMENSIONS		DRAWING: D-SIZE SERIES: 100086		SEE P/N TABLE	

PCB LAYOUT FOR SINGLE SIDED MOUNTING

HATCHED AREA DENOTES COMPONENT AND TRACE KEEP-OUT (EXCEPT CHASSIS GROUND)



- NOTES:
1. PADS AND VIAS GO TO CHASSIS GROUND. (RECOMMENDED PADS TO BE 2.00mm SQUARE.)
 2. RECOMMENDED THRU HOLE PLATING INCLUDES HASL, OSP, OR IMMERSION (GOLD, SILVER, OR TIN).
 3. CONNECTOR PAD LAYOUT PER SFF-8663 WILL ACCOMODATE MOLEX CONNECTOR SERIES 170432.
 4. NOTED DIMENSIONS ONLY APPLY TO CAGE ASSEMBLIES WITH LIGHT PIPES.

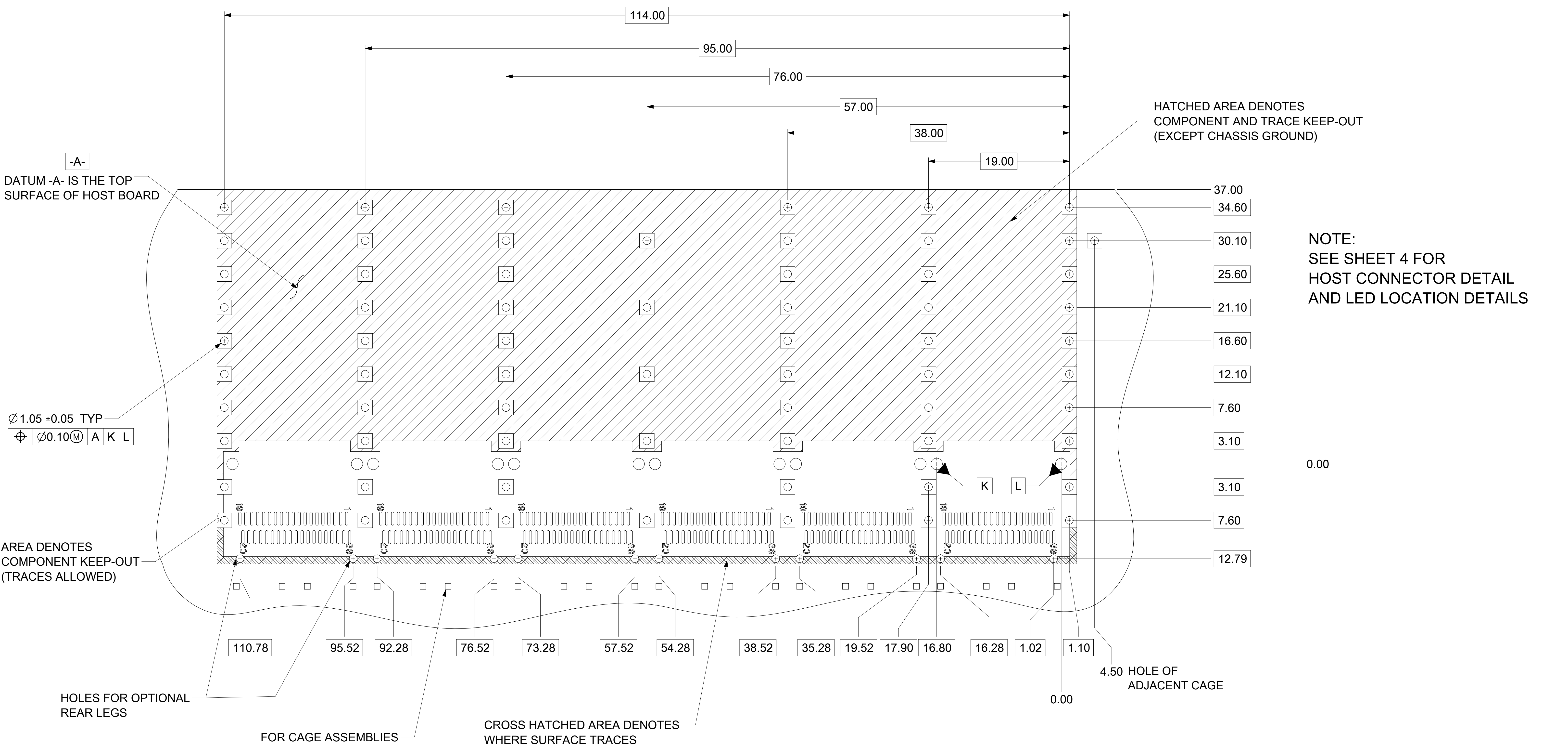
SYMBOLS	THIS DRAWING CONTAINS INFORMATION THAT IS PROPRIETARY TO MOLEX ELECTRONIC TECHNOLOGIES, LLC AND SHOULD NOT BE USED WITHOUT WRITTEN PERMISSION		CURRENT REV DESC: SEE REVISION TABLE	
	DIMENSION UNITS	SCALE		
▽ = 0	mm	3.5:1		
▽ = 0	GENERAL TOLERANCES (UNLESS SPECIFIED)			
▽ = 0	ANGULAR TOL ± 2.0°			
▽ = 0	4 PLACES	±	EC NO: 698881	
▽ = 0	3 PLACES	±	DRWN: SHIVAA4	2022/02/17
▽ = 0	2 PLACES	± 0.13	CHK'D: TKUMARKC	2022/03/10
▽ = 0	1 PLACE	± 0.25	APPR: JCHIANG	2022/03/17
▽ = 0	0 PLACES	±	INITIAL REVISION:	
▽ = 0	DRAFT WHERE APPLICABLE MUST REMAIN WITHIN DIMENSIONS		DRWN: SHIVAA4	2022/02/17
▽ = 0	THIRD ANGLE PROJECTION		APPR: JCHIANG	2022/03/17
		DRAWING	SERIES	MATERIAL NUMBER
		D-SIZE	100086	SEE P/N TABLE
		CUSTOMER		SHEET NUMBER
		GENERAL MARKET		4 OF 7

molex

1X6 ZQSFP+ GANGED CAGE, W/ SUS TAB TYPE SPRING FINGER, H/S & L/P OPTIONS

PRODUCT CUSTOMER DRAWING

PCB LAYOUT FOR BELLY TO BELLY MOUNTING



-A-
DATUM -A- IS THE TOP SURFACE OF HOST BOARD

Ø1.05 ±0.05 TYP
 ⌀ Ø0.10 Ⓜ A K L

AREA DENOTES COMPONENT KEEP-OUT (TRACES ALLOWED)

HOLES FOR OPTIONAL REAR LEGS

FOR CAGE ASSEMBLIES WITH LIGHT PIPES

CROSS HATCHED AREA DENOTES WHERE SURFACE TRACES ARE PERMITTED

HATCHED AREA DENOTES COMPONENT AND TRACE KEEP-OUT (EXCEPT CHASSIS GROUND)

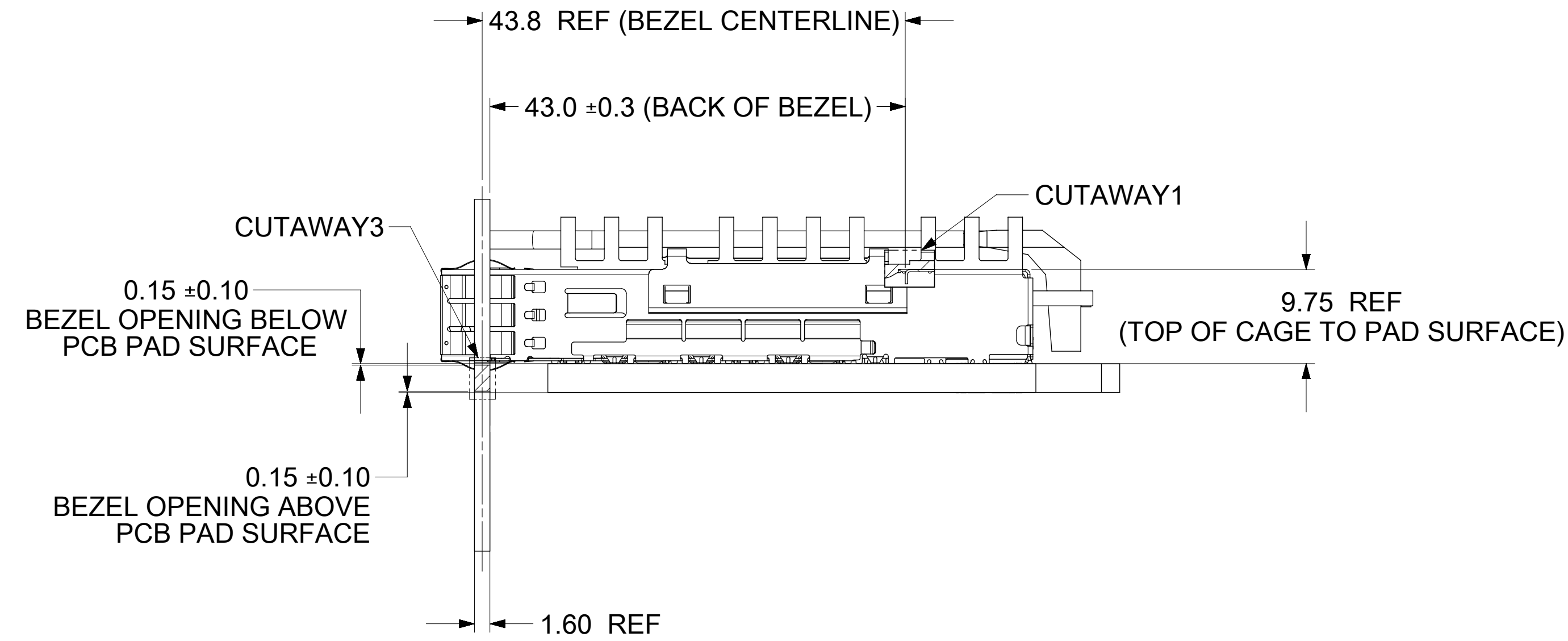
NOTE:
SEE SHEET 4 FOR HOST CONNECTOR DETAIL AND LED LOCATION DETAILS

- NOTES:
 1. PADS AND VIAS GO TO CHASSIS GROUND. (RECOMMENDED PADS TO BE 2.00mm SQUARE.)
 2. RECOMMENDED THRU HOLE PLATING INCLUDES HASL, OSP, OR IMMERSION (GOLD, SILVER, OR TIN).
 3. CONNECTOR PAD LAYOUT PER SFF-8663 WILL ACCOMODATE MOLEX CONNECTOR SERRIES 170432.

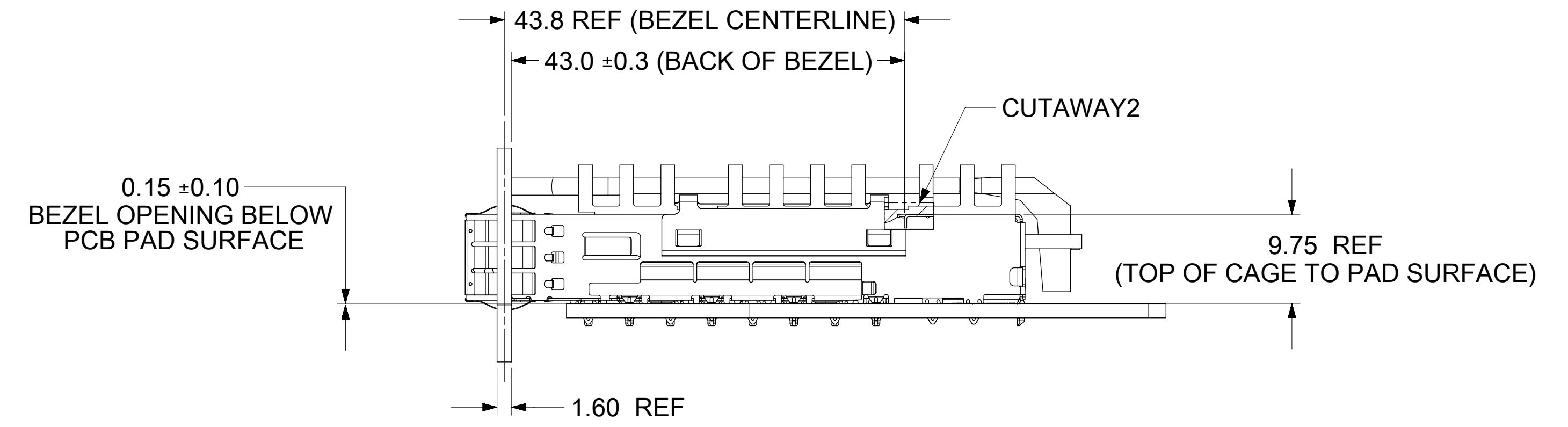
SYMBOLS	THIS DRAWING CONTAINS INFORMATION THAT IS PROPRIETARY TO MOLEX ELECTRONIC TECHNOLOGIES, LLC AND SHOULD NOT BE USED WITHOUT WRITTEN PERMISSION		
	DIMENSION UNITS	SCALE	CURRENT REV DESC: SEE REVISION TABLE
▽ = 0	mm	4:1	EC NO: 698881 DRWN: SHIVAA4 2022/02/17 CHK'D: TKUMARKC 2022/03/10 APPR: JCHIANG 2022/03/17
▽ = 0	GENERAL TOLERANCES (UNLESS SPECIFIED)		
▽ = 0	ANGULAR TOL	± 2.0°	INITIAL REVISION: DRWN: SHIVAA4 2022/02/17 APPR: JCHIANG 2022/03/17
▽ = 0	4 PLACES	±	
▽ = 0	3 PLACES	±	DOCUMENT NUMBER 1000863200
▽ = 0	2 PLACES	± 0.13	
▽ = 0	1 PLACE	± 0.25	DOC TYPE PSD
▽ = 0	0 PLACES	±	DOC PART ASY
▽ = 0	DRAFT WHERE APPLICABLE MUST REMAIN WITHIN DIMENSIONS	THIRD ANGLE PROJECTION	REVISION A
▽ = 0		DRAWING	MATERIAL NUMBER SEE P/N TABLE
		SERIES D-SIZE 100086	CUSTOMER GENERAL MARKET
			SHEET NUMBER 5 OF 7

DOCUMENT STATUS	P1	RELEASE DATE	2022/03/17 02:54:30
-----------------	----	--------------	---------------------

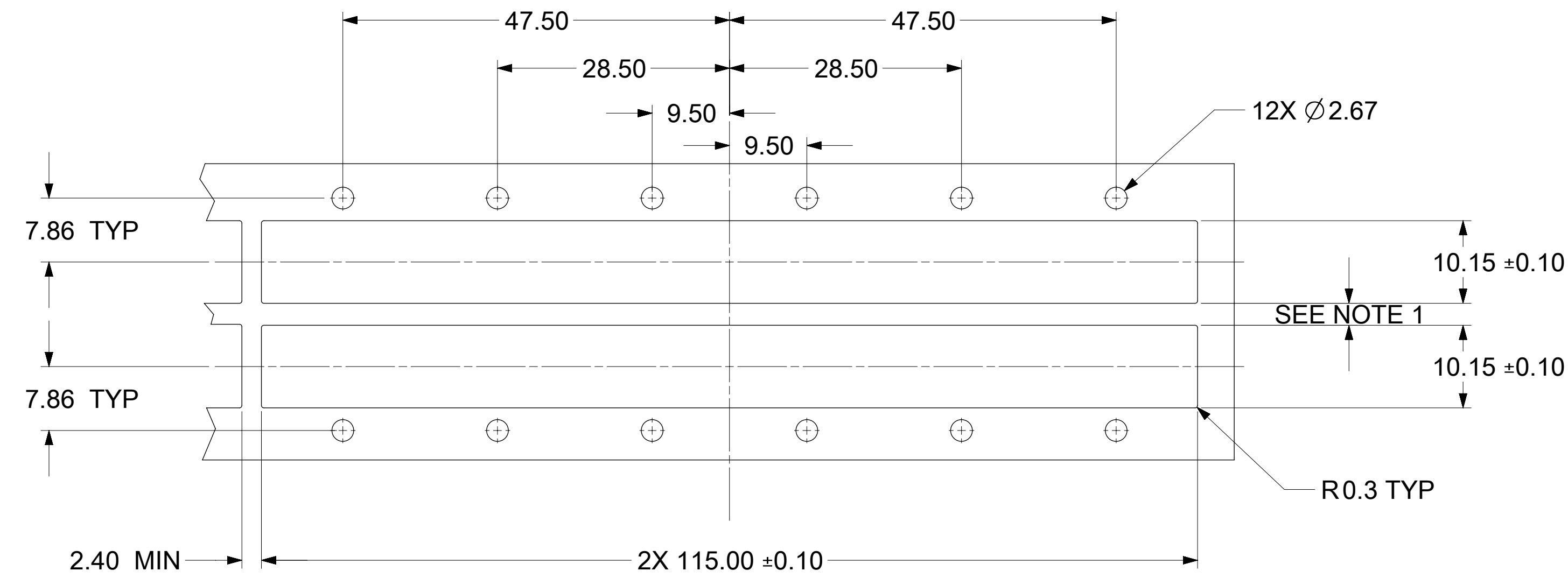
BEZEL AND BOARD POSITION DIMENSIONS FOR BELLY TO BELLY MOUNTING



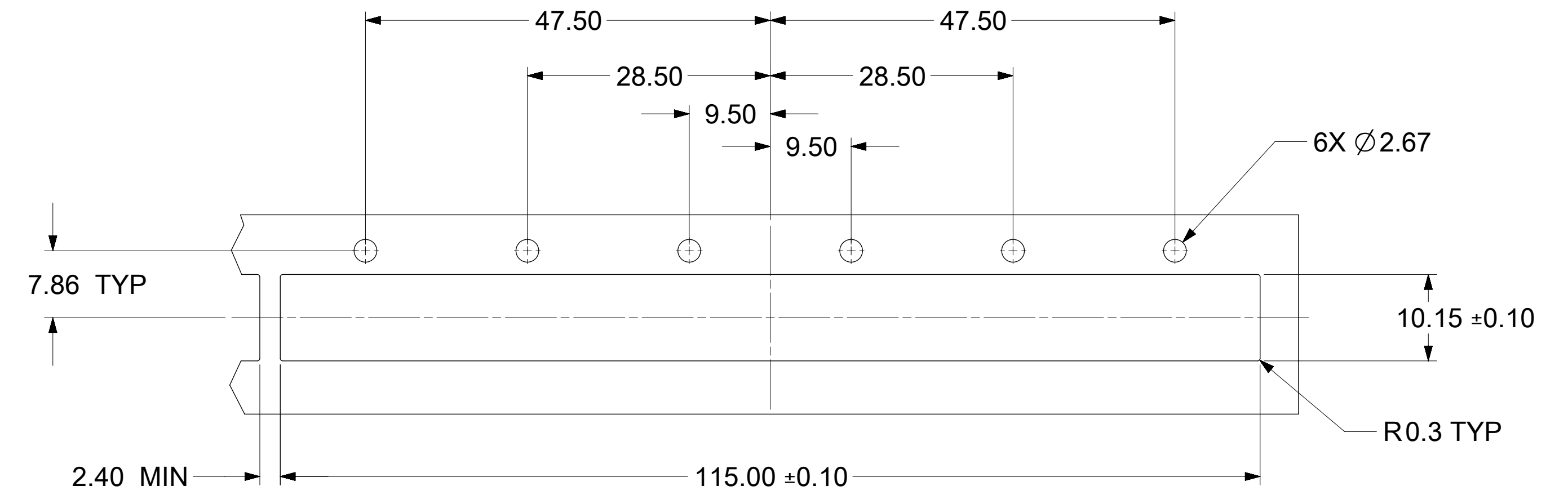
BEZEL AND BOARD POSITION DIMENSIONS FOR SINGLE SIDE MOUNTING



SINGLE LIGHT PIPE



SINGLE LIGHT PIPE



NOTE:
 1. PCB THICKNESS VARIATION MUST BE CONSIDERED WHEN DETERMINING BEZEL OPENING LOCATION.
 2. NOTED DIMENSIONS ONLY APPLY TO CAGE ASSEMBLIES WITH LIGHT PIPES.
 3. THIS DIMENSION IS FOR REFERENCE ONLY. USER CAN MODIFY IT DEPENDS ON APPLICATION. (THIS DIMENSION VARIES BASED ON DISTANCE OF " HOLE OF ADJACENT CAGE" ON PCB LAYOUT.)

SYMBOLS	THIS DRAWING CONTAINS INFORMATION THAT IS PROPRIETARY TO MOLEX ELECTRONIC TECHNOLOGIES, LLC AND SHOULD NOT BE USED WITHOUT WRITTEN PERMISSION		
	DIMENSION UNITS	SCALE	CURRENT REV DESC: SEE REVISION TABLE
▽ = 0	mm	2.5:1	EC NO: 698881 DRWN: SHIVAA4 2022/02/17 CHK'D: TKUMARKC 2022/03/10 APPR: JCHIANG 2022/03/17 INITIAL REVISION: DRWN: SHIVAA4 2022/02/17 APPR: JCHIANG 2022/03/17
▽ = 0	GENERAL TOLERANCES (UNLESS SPECIFIED)		
▽ = 0	ANGULAR TOL ± 2.0°		
▽ = 0	4 PLACES ±		
▽ = 0	3 PLACES ±		
▽ = 0	2 PLACES ± 0.13		DOCUMENT NUMBER 1000863200 DOC TYPE PSD DOC PART ASY REVISION A
▽ = 0	1 PLACE ± 0.25		
▽ = 0	0 PLACES ±		
■ = 0	DRAFT WHERE APPLICABLE MUST REMAIN WITHIN DIMENSIONS	THIRD ANGLE PROJECTION	DRAWING D-SIZE SERIES 100086
▽ = 0	SEE P/N TABLE		MATERIAL NUMBER CUSTOMER GENERAL MARKET SHEET NUMBER 6 OF 7

molex

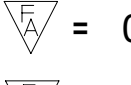
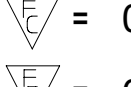
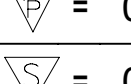

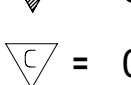
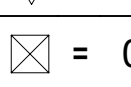

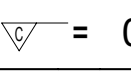

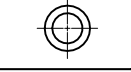
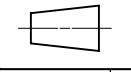
1X6 ZQSFP+ GANGED CAGE, W/ SUS TAB TYPE SPRING FINGER, H/S & L/P OPTIONS

PRODUCT CUSTOMER DRAWING

DOCUMENT NUMBER: 1000863200
 DOC TYPE: PSD
 DOC PART: ASY
 REVISION: A

MATERIAL NUMBER: SEE P/N TABLE
 CUSTOMER: GENERAL MARKET
 SHEET NUMBER: 6 OF 7

REV	DATE	DESCRIPTION
A	2022/02/17	INITIAL RELEASE

SYMBOLS	THIS DRAWING CONTAINS INFORMATION THAT IS PROPRIETARY TO MOLEX ELECTRONIC TECHNOLOGIES, LLC AND SHOULD NOT BE USED WITHOUT WRITTEN PERMISSION																	
	 = 0	DIMENSION UNITS	SCALE	CURRENT REV DESC: SEE REVISION TABLE														
	 = 0	mm	1:1	<p>molex</p> <p>1X6 ZQSFP+ GANGED CAGE, W/ SUS TAB TYPE SPRING FINGER, H/S & L/P OPTIONS</p> <p>PRODUCT CUSTOMER DRAWING</p> <table border="1"> <tr> <td>DOCUMENT NUMBER</td> <td>DOC TYPE</td> <td>DOC PART</td> <td>REVISION</td> </tr> <tr> <td>1000863200</td> <td>PSD</td> <td>ASY</td> <td>A</td> </tr> </table>							DOCUMENT NUMBER	DOC TYPE	DOC PART	REVISION	1000863200	PSD	ASY	A
	DOCUMENT NUMBER	DOC TYPE	DOC PART								REVISION							
	1000863200	PSD	ASY								A							
	 = 0	GENERAL TOLERANCES (UNLESS SPECIFIED)																
	 = 0	ANGULAR TOL	± 2.0°															
	 = 0	4 PLACES	±															
	 = 0	3 PLACES	±															
	 = 0	2 PLACES	± 0.13															
 = 0	1 PLACE	± 0.25																
 = 0	0 PLACES	±																
= 0	DRAFT WHERE APPLICABLE MUST REMAIN WITHIN DIMENSIONS		THIRD ANGLE PROJECTION	DRAWING	SERIES	MATERIAL NUMBER	CUSTOMER	SHEET NUMBER										
= 0					D-SIZE	100086	GENERAL MARKET	7 OF 7										